

Project: _____

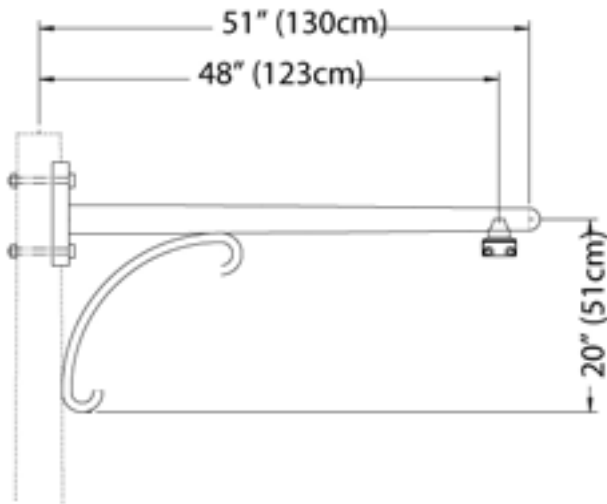
Location: _____

Cat.No: _____

Type: _____

Lamps: _____ Qty: _____

Notes: _____



Ordering Guide

Example: HFP1210 P4 A N PM

Product Code	HFP1210	Single
Post diameter	P4 P5 P6	4" Post Mount 5" Post Mount 6" Post Mount
Finish	A B G H J	Black White Verde Bronze Green
Arm Accessory	N F R	None Finial Twistlock Receptacle
Post Machining	PM	Post Machining

Specifications

HOUSING:

6063-T6 Extruded aluminum .

FINISH:

Thermoset polyester powdercoat is electrostatically applied after a five-stage conversion cleaning process and bonded by heat fusion thermosetting. Laboratory tested for superior weatherability and fade resistance in accordance with ASTM B117 specifications. For larger projects where a custom color is required, contact the factory for more information.

WARRANTY:

Three-year limited warranty.

Height :

20" (51 cm)

Length:

51" (130 cm)

EPA:

1.53 sq. ft

