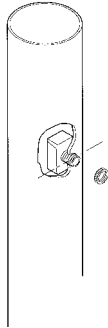


PH7 / PH8 / DR / GFI / LS > POLE AND BRACKET OPTION DETAILS

PH7 > PHOTOELECTRIC CELL

> shown here on a straight round pole

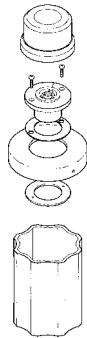


Specifications:

PH7 Photoelectric Cell: The PH7 button-type photoelectric cell is designed for pole or bracket installation. It is Pre-wired to the nearest opening. Working from individual project specifications, Lumec will determine the exact position of the photoelectric cell. Photoelectric cells can be installed on all types of straight or fluted aluminum or steel poles or brackets. The standard installation height of the PH7 photoelectric cell is 20" (508 mm) from the top of the pole. This distance may vary according to project specifications.

> Orientation shall be at 0° on the same axis as the pole access door unless otherwise specified.

PH8 > PHOTOELECTRIC CELL > shown here on a fluted pole

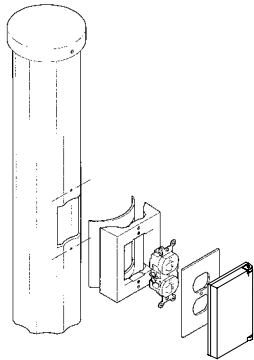


Specifications:

PH8 Photoelectric Cell: The PH8 twistlock photoelectric cell is designed for pole or bracket installation and comes pre-wired. Photoelectric cells can be installed on all types of straight or fluted aluminum or steel poles or brackets.

DR > DUPLEX RECEPTACLE / GFI > DR WITH GROUND FAULT INTERRUPTER

> shown here on a fluted shaft pole



Specifications:

DR and GFI: When the Duplex Receptacle (DR or GFI) unit is to be installed on a square pole, or any pole with a sufficient flat surface:

- > The DR or GFI is screwed into place in a rectangular hole.
- > A neoprene gasket and a cast-aluminum cover plate are placed on the duplex receptacle, ensuring full weathertightness when the cover plate is closed.

When the DR or GFI is to be installed on a round or fluted pole or bracket, however:

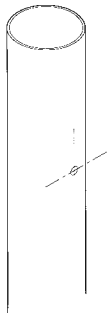
- > A duplex adaptor and a neoprene gasket are installed between the pole or bracket and the duplex receptacle.
- > A second neoprene gasket and a cast-aluminum cover plate are then placed on the duplex receptacle, ensuring full weathertightness when the cover plate is closed.

The duplex receptacle is pre-wired to the nearest opening. The standard installation height of the DR or GFI receptacle is 24" (610 mm) from the top of the pole. This distance may vary according to project specifications.

> Orientation shall be at 0° on the same axis as the pole access door unless otherwise specified.

LS > LOUDSPEAKER OUTLET

> shown here on a straight round pole



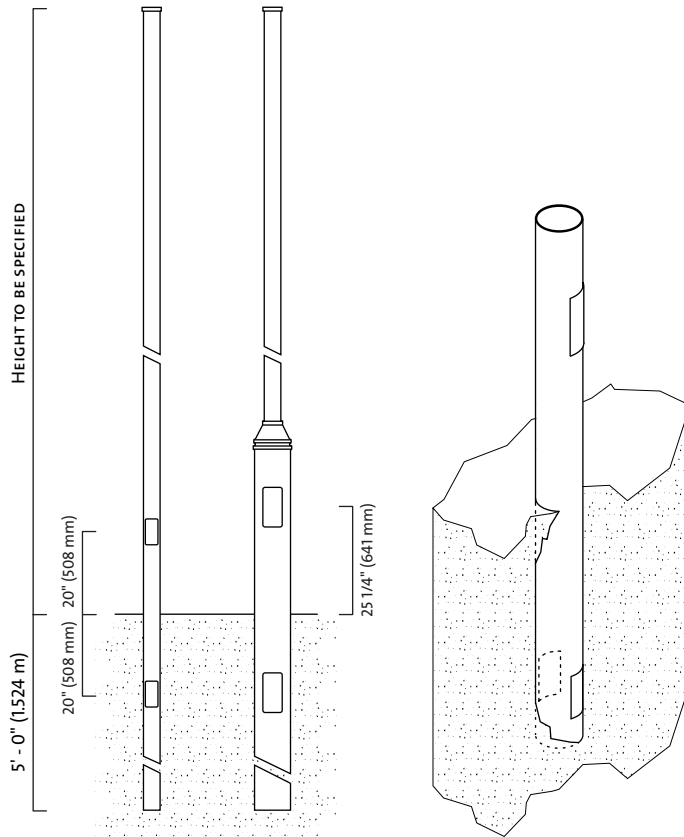
Specifications:

LS Loudspeaker Outlet (pole option only): The Loudspeaker Outlet (LS) is designed for pole-side installation and calls for a hole of 7/8" (22 mm) to be drilled on the side of the pole. Working from individual project specifications, Lumec will determine the exact position of the LS Loudspeaker Outlet.

> Orientation shall be at 0° on the same axis as the pole access door unless otherwise specified.

> No connectors are provided with the LS loudspeaker outlet.

DE > DIRECT BURIED POLE DETAILS



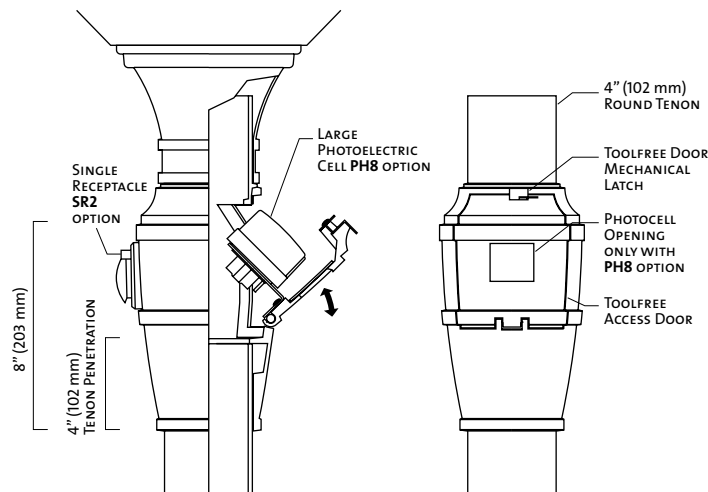
Specifications:

When the pole base is to be buried, the following details apply:

- > The pole is supplied 5' (1524 mm) longer.
This section which is to be buried is painted inside and out.
- > Two wire holes are placed opposite each other at 20" (508 mm) below grade.
- > The wire holes are the same size as the maintenance opening of the pole.
- > The pole is supplied without a base cover unless otherwise specified.

Please consult the factory for feasibility.

SFPH > UTILITIES FITTER



Specifications:

Specially designed for the Utilities need, the **SFPH** pole-top adaptor permits the installation of an optional single receptacle (**SR2**), a twist lock photocell (**PH8**) and an internal bloc connector (**BC**) on the pole under the luminaire.

The **SFPH** Utilities Fitter is a cast-aluminum pole-top adaptor with a cast aluminum door. The door offers toolfree access to the interior of the fitter by a mechanical latch.

The fitter slip-fits around a 4" (102 mm) or 3" (76 mm) round, by 4" (102 mm) long aluminum or steel pole or tenon.

All decorative traditional adaptors can be slip fitted over the SFPH straight 4" (120 mm) round by 4" (102 mm) long tenon.

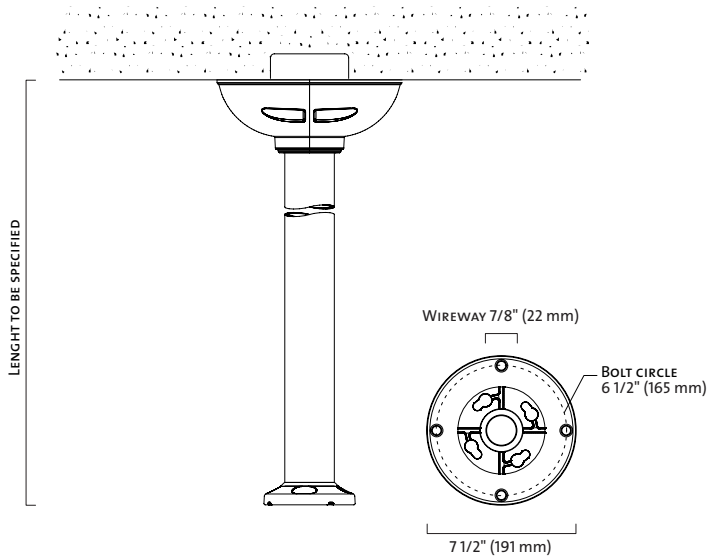
Options:

- PH8:** Large Photoelectric Cell Installed inside the fitter's door, the photocell pivots out for ease of maintenance. The door comes with a hole when the PH8 is ordered.
- SR2:** Single Receptacle. Installed on the fitter's back wall, opposite of the door, the receptacle comes complete with a cover.
- BC:** Bloc Connector. An internal bloc connector installed inside the fitter opposite of the door.

Note:Place ordering information before the Pole information in the luminaire ordering number.

SPX / MJ-LG > BRACKET OPTION DETAILS

SPX > OUTDOOR CEILING LUMINAIRE SUPPORT



Specifications:

Lumec's outdoor ceiling luminaire support **SPX** consists of a 2 3/8" O.D. (60 mm) section of extruded-aluminum tubing welded to an anchor plate.

The round, cast-aluminum anchor plate is suspended from the ceiling by four anchor bolts (supplied by others) and covers a junction box (supplied by others).

SPX-?: Ceiling Luminaire Support
Height specified in 6" (152 mm) increments

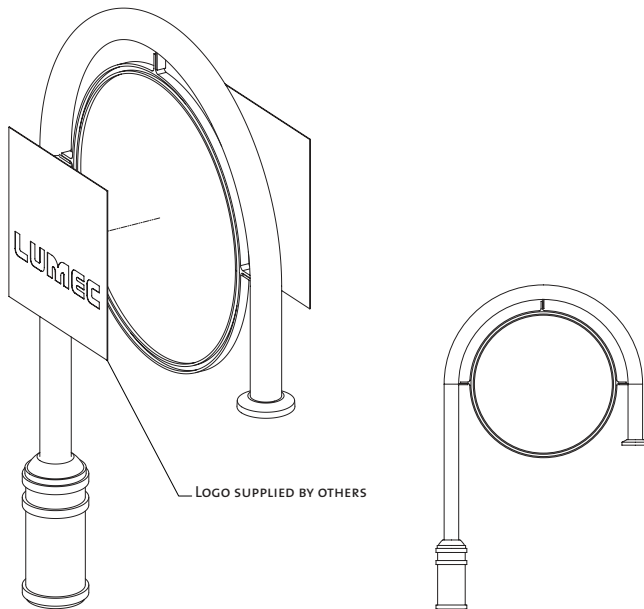
Minimum height / 8" (203 mm)

Maximum height / 10' - 0" (3.048 m)

> Bolts, nuts and washers not included.

MJ-LG > MEDAILLON TO ACCEPT LOGO

EPA: 6.4 sq.ft. **Weight:** 21.0 lbs. (9.5 kg)



Specifications:

The **LG** cast-aluminum medaillon is complete with a 21" (533 mm) round central surface to accept a logo.

The medaillon is mechanically assembled to the extruded-aluminum tube of the **MJ** mounting arm.

> Only available with the **MJ** bracket.

> The **LG** option may significantly change the EPA of the **MJ** bracket. Consult factory for details

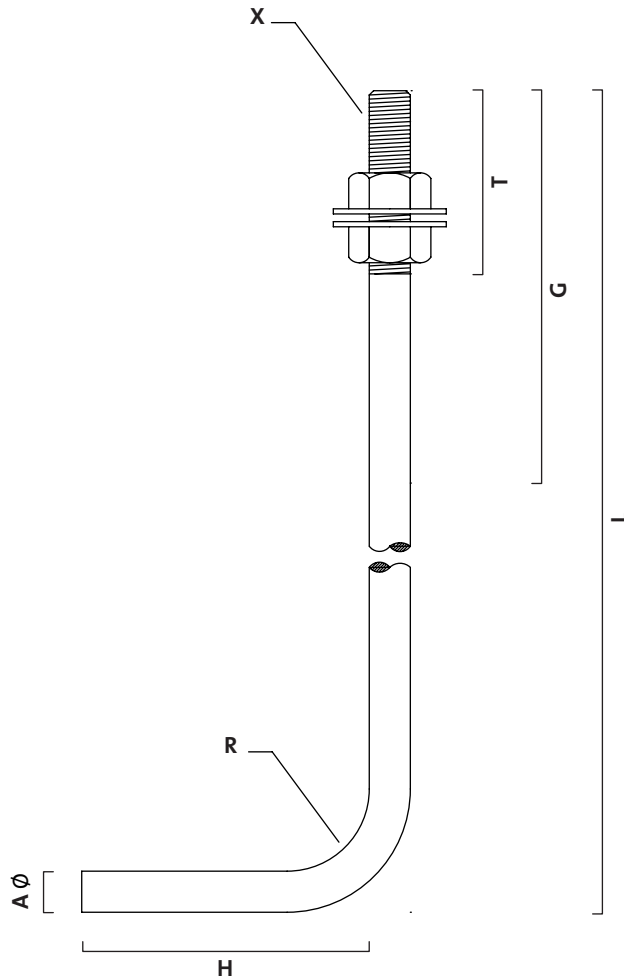
STANDARD LUMEC ANCHOR BOLTS

> Dimensions code:

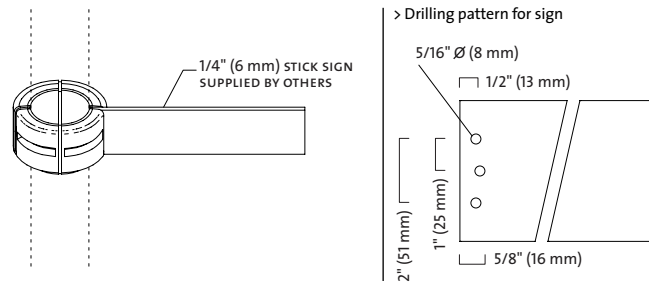
- X > Threads
- T > Threads length
- G > Galvanization length
- L > Overall length
- R > Radius
- A > Diameter of bolts

LUMEC #	EQUIVALENT #	X	Ø A	DIM. L	DIM. H	DIM. R	DIM. T	DIM. G
1" x 48"	1" x 45" x 3"	1 - 8 UNC	1"	45.00"	3.00"	2.00"	6.00"	10.00"
1" x 36"	1" x 33" x 3"	1 - 8 UNC	1"	33.00"	3.00"	1.00"	6.00"	10.00"
3/4" x 27"	3/4" x 24" x 3"	3/4 - 10 UNC	3/4"	24.00"	3.00"	1.00"	3.50"	7.50"
3/4" x 20"	3/4" x 17" x 3"	3/4 - 10 UNC	3/4"	17.00"	3.00"	1.00"	3.50"	7.50"
5/8" x 28"	5/8" x 24" x 4"	5/8 - 11 UNC	5/8"	24.00"	4.00"	1.00"	3.00"	7.00"
5/8" x 12"	5/8" x 9" x 3"	5/8 - 11 UNC	5/8"	9.00"	3.00"	1.00"	2.00"	4.00"
1/2" x 22"	1/2" x 18" x 4"	1/2 - 13 UNC	1/2"	18.00"	4.00"	1.00"	2.00"	6.00"
3/8" x 12"	3/8" x 9" x 3"	3/8 - 16 UNC	3/8"	9.00"	3.00"	0.50"	2.00"	4.00"

> Anchor bolts details:



SA1 > SIGN ADAPTOR



Specifications:

Lumec's mechanically assembled Sign Adaptors SA1 are designed to fit 4" round (102 mm) or 5 9/16" (141 mm) poles, using cast-aluminum quarter-circle pieces that are mechanically assembled on site.

Aluminum signs 1/4" (6 mm), supplied by others, are mechanically assembled between the cast-aluminum quarter-circles.

