



BoldFlood LED Track Heads are designed for energy savers looking to maintain high quality performance and rich color saturation from an aesthetic track luminaire. It is available in 2000lm and 4000lm with great efficacy.

Complete unit = Fixture + Optional Accessories

Project: _____
 Location: _____
 Cat.No: _____
 Type: _____
 Qty: _____
 Notes: _____

Fixture

example: LWW20930H

Series	Adapter	Lumens	CRI/CCT	Finishes
LWW				
LWW BoldFlood Track Heads	— Lightolier	20 2000lm	927 90 CRI / 2700 K	AL Aluminum
	H Halo	40 4000lm	930 90 CRI / 3000 K	BK Black (matte)
	J Juno		935 90 CRI / 3500 K	WH White (matte)
			940 90 CRI / 4000 K	

Features

- LED Board:** CoB LED
- Integrated heat sink:** Die cast aluminum effectively cools LEDs providing a minimum 50,000 hour lifetime at 70% lumen maintenance.
- Track attachment fitting:** Molded polycarbonate. Integral color in gray, black or white. Rotates into track and locks into place with the use of push tab.
- Push tab:** Molded polycarbonate. Locks and detaches unit.
- Movable brass contact:** Brass extends for connection to 2nd circuit (Advent track only).
- Ground contact:** Solid Brass.
- Driver Housing:** Extruded aluminum with die cast aluminum end caps.
- Pivot mounts:** Allows for 350° horizontal. Vertical rotation of +/- 90° from vertical aim to the floor.
- Finishes:** Powder coated.

Dimming

Lutron Diva **DVELV-300-P** 100-5%
 Philips Sunrise **SR400RPC120** 100-4%
 Lutron Maestro **MAELV-600-WH** 100-1%
 Leviton Decora **6615-POW** 100-3%

Electrical

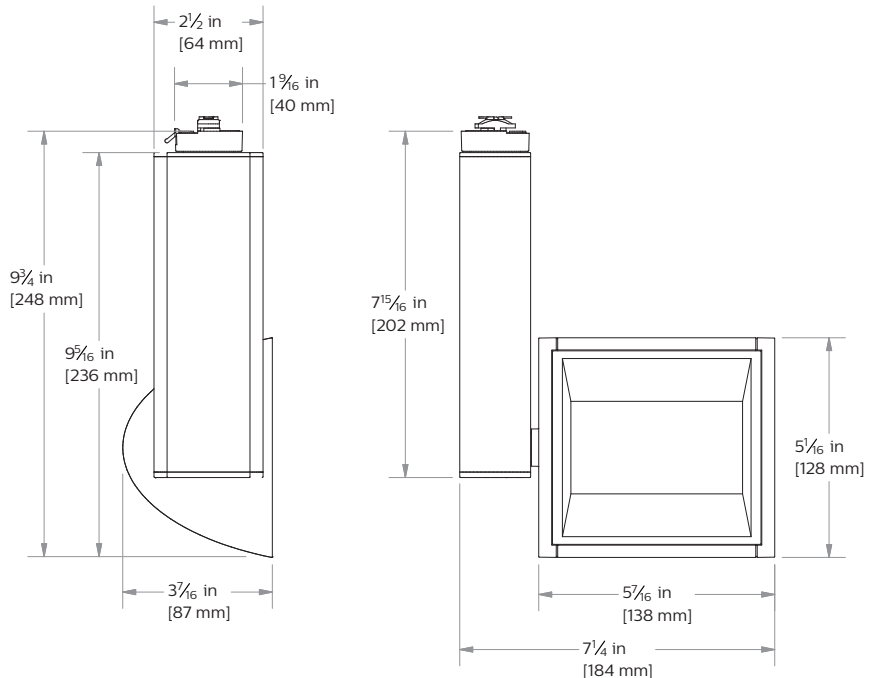
LWW20 series

Input voltage: 120V 60Hz
 Input Power: 23W
 Efficacy: 100 lm/W @ 3000K
 High power factor: >0.9
 CRI: 90-95 (typical)

LWW40 series

Input voltage: 120V 60Hz
 Input Power: 41W
 Efficacy: 95 lm/W @ 3000K
 High power factor: >0.9
 CRI: 90-95 (typical)

Dimensions



Mounting

Compatible with LyteSpan Basic, Radius, Advent, Monopoint, Multipoint (no extension wands, ProSpec Track, or wall mounting).

Labels

cULus Listed
 5 year warranty
 ENERGY STAR®



LWW BoldFlood LED

Track Heads (2000lm & 4000lm)

Finishes



WH White (matte)



AL Aluminum

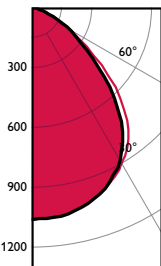
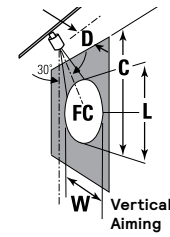
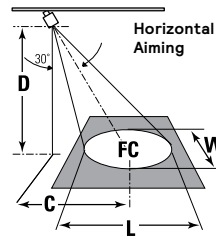


BK Black (matte)

Aiming Angles

L and W are the outer points where the candle power drops to 50% of the maximum. FC are the initial footcandles at the center of the beam. Data shown is for 3000K, use the table on the right for CRI/CCT adjustment factors.

- D Distance
- L Beam length
- W Beam Width
- A Aiming Angle
- C Distance to center beam
- FC Footcandles
- CBCP Center Beam Candlepower



2000lm

Fixture: LWW20930WH

CCT ¹ :	3000K
Output lumens:	2268 lms
Input watts ² :	22.6 W
Efficacy:	100.4 lm/w
CRI:	90 min
CBCP:	1,060 cd

Beam Angle: 95° W x 90° L
Report no: LWW20930W

30° Aiming Angle

Horizontal Illuminance on floor

D	C	F.C.	L	W
6	3.5	19	24.0	15.1
8	4.6	11	32.0	20.2
10	5.8	7	40.0	25.2
12	6.9	5	48.0	30.2

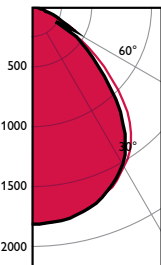
30° Aiming Angle

Vertical Illuminance on floor

D	C	F.C.	L	W
2	1.2	172	8.0	8.7
3	1.7	76	12.0	13.1
4	2.3	43	16.0	17.5
5	2.9	28	20.0	21.8

Adjustment Factors

CRI	CCT	Multiplier
90	2700K	0.93
	3000K	1.00
	3500K	1.00
	4000K	1.08



4000lm

Fixture: LWW40930WH

CCT ¹ :	3000K
Output lumens:	3852 lms
Input watts ² :	40.4 W
Efficacy:	95.3 lm/w
CRI:	90 min
CBCP:	1,808 cd

Beam Angle: 96° W x 90° L
Report no: LWW40930W

30° Aiming Angle

Horizontal Illuminance on floor

D	C	F.C.	L	W
6	3.5	33	24.0	15.4
8	4.6	18	32.0	20.5
10	5.8	12	40.0	25.6
12	6.9	8	48.0	30.8

30° Aiming Angle

Vertical Illuminance on floor

D	C	F.C.	L	W
2	1.2	294	8.0	8.9
3	1.7	130	12.0	13.3
4	2.3	73	16.0	17.8
5	2.9	47	20.0	22.2

Adjustment Factors

CRI	CCT	Multiplier
90	2700K	0.95
	3000K	1.00
	3500K	1.05
	4000K	1.08

1. Correlated Color Temperature within specs as defined in ANSI_NEMA_ANSI C78.377-2008: Specifications for the Chromaticity of Solid State Lighting Products.

2. Wattage controlled to within +/- 5%.

Note: Tested using absolute photometry as specified in LM79: IESNA Approved Method for the Electrical and Photometric Measurements of Solid-State Lighting Products.

