

CAUTION — READ THIS FIRST!

IMPORTANT SAFETY INSTRUCTIONS

- Carefully read the instructions appropriate to your fixture. **IF YOU HAVE ANY QUESTIONS REGARDING THE PROPER INSTALLATION OR LOCAL CODES, CONSULT A QUALIFIED ELECTRICIAN.**
- To avoid shock hazard do not work with live electrical wires.
- Install fixture in dry, indoor applications only. Do not install in applications other than intended use.
- Install and wire fixture in locations and at heights in accordance with national, state, and local codes.
- Refer to the **LINCS FIXTURE INSTRUCTION SHEET** for additional safety instructions.

This Mounting Kit provides an easy way to mount the Lincs fixture to metal shelves without the need to drill holes. The kit contains two mounting brackets, two nuts, and an alcohol wipe.

Attaching the Mounting Brackets

Use the following procedure to attach the mounting brackets to the fixture.

1. Refer to the fixture instruction sheet and remove the diffuser from the fixture.
2. Carefully remove the lamp.
3. Refer to Figure 1 and place the small lip of a bracket into the groove in the housing of the fixture. Align the threaded stud in the bracket with the hole in the fixture.
4. Refer to Figure 2. While holding the bracket in the groove, flex the bracket just enough to insert the threaded stud through the hole in the fixture.
5. Secure the bracket with the nut.
6. Repeat the procedure for the second bracket.

Mounting the Fixture

Use the following procedure to mount the fixture.

NOTE: Before mounting the fixture, thoroughly clean the area where the fixture mounts. If the area is not clean, the mounting bracket adhesive will not get a good bond.

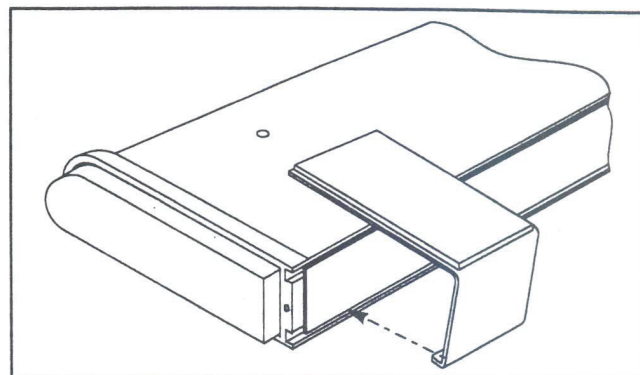


Figure 1

1. Use the supplied alcohol wipe and thoroughly clean the area where the fixture is to be mounted. Allow the alcohol to dry.
2. Being careful not to touch the adhesive, peel the green plaid paper off each bracket.

NOTE: When putting the fixture in place, the adhesive will grip quickly and not allow adjustments in position. Make sure that you place the fixture in the correct spot.

3. Carefully place the fixture under the shelf in the area that was cleaned.
4. Firmly press the fixture against the shelf to obtain a strong bond.
5. Reinstall the lamp and the diffuser.

The fixture is mounted and ready to use.

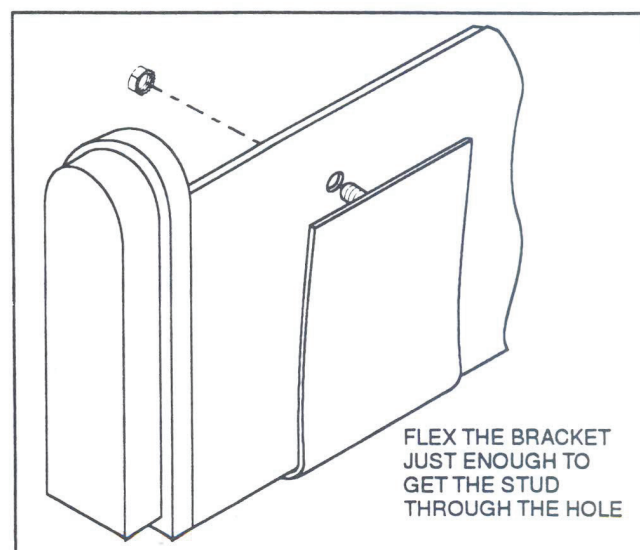


Figure 2

075-0077 3/97