

# LUMEC

by ©ignify

## Classic elegance meets advanced lighting technology

Urban

MetroScape







# Inspired by tradition, focused on performance

**All you need to meet the most demanding  
path and street lighting requirements**

The Lumec MetroScape LED pendant and post top luminaires are ideal for enhancing the architectural identity of environments with a heritage appeal. Perfectly scaled in both proportion and performance for the demands of various pedestrian and roadway applications, MetroScape provides a consistent style for your entire lighting project. Substantially more energy-efficient than HID luminaires thanks to industry leading LED technology, MetroScape is the right choice for cities and utilities seeking cost-effective, relamping-free outdoor lighting.



Precision  
Optics



Comfort  
Optics

## Bold Design

MetroScape LED luminaires allow you to create durable, visually appealing outdoor lighting projects while providing energy savings and a sense of security. They are well suited for municipal projects that range from simple recreational settings to more extensive boulevard lighting right through to architectural installations. Their shape, reminiscent of another era, adds warmth and charm to the surrounding environment, and integrates especially well with old-style buildings and revitalized heritage sites.

## Comfort and performance

With two specialized light engines and multiple lumen outputs, you have a full range of possibilities from this family. From pedestrian and low glare to high performance, the MetroScape family can satisfy your exact requirements. The comfort optics eliminate glare to increase visual comfort for an enhanced user experience and are best suited for pedestrian applications at lower mounting heights. If you are looking for an optimized solution for performance, uniformity and spacing, MetroScape with precision optics is recommended.

## Connected Lighting Flexibility

Every MetroScape luminaire is controls-ready and able to accommodate the most advanced technology. Signify offers a range of outdoor lighting control solutions that feature superior flexibility, including real-time monitoring capabilities that help optimize the management of lighting assets. Designed to meet your specific needs, these systems are scalable from a few luminaires in a park to an entire network of luminaires throughout the city.







# Comfort and performance for every space

MetroScape is a family of cutting-edge LED luminaires engineered to cover a lot of ground by meeting the lighting requirements of park, path and street lighting applications. With two light engines and multiple lumen outputs, the MetroScape has you covered.

## Precision optics

- Multiple lumen outputs, including higher output to accommodate higher mounting heights
- Optimized for performance, uniformity and spacing
- The flat lens design eliminates uplight, which addresses the light pollution concerns



## Comfort optics

- Eliminate glare to increase visual comfort for an enhanced user experience
- Provide flexibility of optical distributions while focusing on the capabilities needed for pedestrian applications
- Best suited for pedestrian applications at lower mounting heights



City Streets



City Centers



Parks and Recreation



Public Areas



Pedestrian Areas and Bicycle Paths



Campuses



Green Projects



# MetroScape LED pendant



## Showing the way to cost-effective pedestrian and roadway lighting with a retro look

The MetroScape LED pendant luminaire combines style and performance to create flexible, durable and attractive energy-saving solutions that blend in well with traditional-styled urban architecture. Thanks to the open design it is capable of more powerful lumen packages suited to the higher visibility requirements of roads and intersections when powered with the precision optics. The pendant model is also available with the comfort optics to help you eliminate glare to increase visual comfort.



**MSR**



**MSR-C**



### **Precision Optics key features**

- Up to 96 high performance white LEDs
- Can deliver over 20,000 lumens equivalent to 400W HID
- Complete IP66 rated luminaire
- Dedicated LED optics (types 2, 3, 4 & 5)
- Ships standard with dimmable (0-10V) driver

### **Comfort Optics key features**

- Low glare comfort optics
- Delivers up to 9,800 lumens
- Complete IP66 rated luminaire
- Dedicated LED optics (types 1, 2, 3, 4 & 5)
- Ships standard with dimmable (0-10 V) driver





MetroScape

# LED post top

## The height of style and performance for park and pathway lighting

The MetroScape LED post top luminaire features flexible, robust energy-saving solutions for heritage-styled urban architectural lighting. Crowned with an ornamental hood, the post top model comes with a flat lens with both specialized optics. When powered with the Comfort Optics, the luminaire provides attractive lighting at night, adding appeal to the surroundings and promoting safe use of the environment.



## MPTR



## MPTR-C



### Precision Optics key features

- Up to 80 high performance white LEDs
- Many lumen packages available
- Complete IP66 rated luminaire
- Dedicated LED optics (types 2, 3, 4 & 5)
- Ships standard with dimmable (0-10V) driver
- Motion Response option available

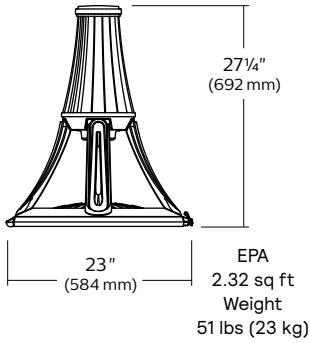
### Comfort Optics key features

- Low glare comfort optics
- Delivers up to 7,600 lumens
- Complete IP66 rated luminaire
- Dedicated LED optics (types 1, 2, 3, 4 & 5)
- Ships standard with dimmable (0-10 V) driver

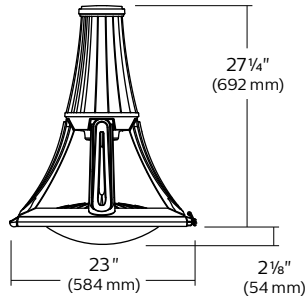


# Pendant

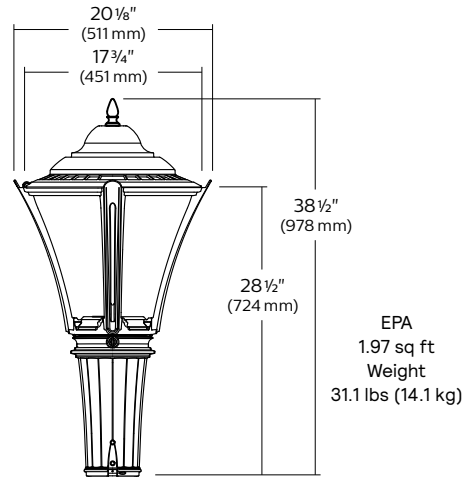
## Flat lens



## Sag lens (only with precision optics)



# Post top



# Luminaire options

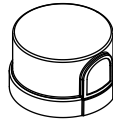
## Pendant and Post top



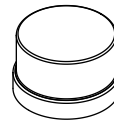
**RCD** 5-Pin receptacle for dimming photoelectric cell



**RCD7** 7-Pin receptacle for dimming photoelectric cell



**PH8** Photoelectric cell



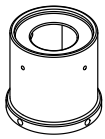
**PH9** Shorting Cap



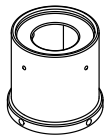
**HS** House Side Shield

**PHXL** Photoelectric cell, extended life

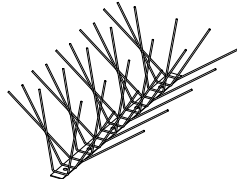
## Pendant Only



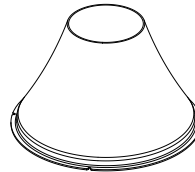
**TN3** Fitter to fit over a 3" (76 mm) O.D. by 4" (102 mm) long tenon



**TN3.5** Fitter to fit over a 3 1/2" (89 mm) O.D. by 4" (102 mm) long tenon



**BX** Bird repellent



**DH** Opaque decorative hood

**OVR** Dynadimmer override function

# Driver options

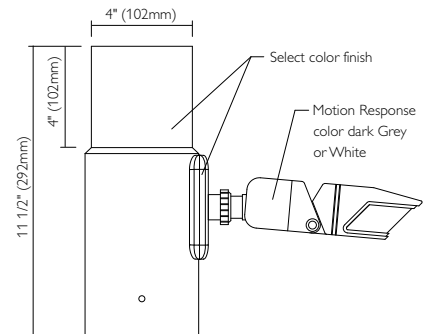
## Pendant and Post top

- CDMG** Dynadimmer for standard dimming
- CLO** Pre-set driver to manage lumen depreciation
- AST** Pre-set driver for progressive start-up
- OTL** Pre-set driver to signal end of life of the lamp
- DMG** 0-10 volt

# Luminaire options

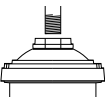
## Post top Only

**Motion Response:** Tenon mount motion response provides 270° coverage on an adjustable knuckle. The coverage equals to up to 6 times the sensor height. It is an option offered jointly with the Dynadimmer OVR, that can bring the light up to 100% when the motion response is triggered. It is available in a single or double mounting option (tenon mount is fully rotatable 360°).

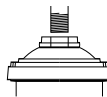


# Adapters

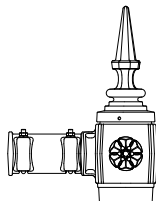
## Pendant Only



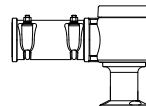
**MA1** 1 1/4" NPT threaded hole adapter accepting a threaded tube.



**MA2** 1 1/2" NPT threaded hole adapter accepting a threaded tube.



**SMA** Decorative retro side-mounted cast-aluminum, accepts tubes from 1 5/8" to 2 3/8"



**SMB** Decorative contemporary side-mounted cast-aluminum, accepts tubes from 1 5/8" to 2 3/8"

## Service tag



### Making LED maintenance operations easier and faster

MetroScape LED luminaires come standard with Signify Service tag, a unique QR based identification system placed on products, poles and boxes they are delivered in. After installing the luminaire, simply scan the tag from the app to register the product. By registering the product, you are sure Signify will provide support throughout the lifetime of the product.

- Provides easy access to lighting component information at the right time and place.
- Enables more effective maintenance operations by identifying spare parts

[www.signify.com/servicetag](http://www.signify.com/servicetag)

## Controls

### Dynadimmer

Dynadimmer dims the luminaire's light output according to preprogrammed or customized dimming schedules to reduce light pollution and energy consumption without compromise. Add optional Motion Response to maximize energy savings without sacrificing the sense of security.

### Motion Response

Upon easy installation, Programmable Motion Response dims the luminaires when no motion is detected, and increases to 100% light output only when motion is detected. This maximizes outdoor lighting energy savings while supporting security efforts.

# Meet the most demanding street lighting requirements

See how **Lumec MetroScape LED** luminaires provide attractive lighting at night, add classic elegance to the surroundings and promote safe use of the environment.

Visit us at [signify.com/luminaires](http://signify.com/luminaires) for more information.

Prior to ordering, consult specification sheets for the most current information, notes, and exclusions.





