



Hadco's Hagerstown LED post top gives you the ability to create a unique style through our modular post top concepts to blend into any residential and historic urban settings. With the latest LED technology you can seamlessly replace traditional HID technology to maximize energy savings and significantly reduce total cost of ownership. The Hagerstown luminaire provides excellent uniformity, traditional customizable look, with the benefits of modern technology.

Project: _____
 Location: _____
 Cat.No: _____
 Type: _____
 Lamps: _____ Qty: _____
 Notes: _____

Ordering guide

example: TX03-32-G3-B-A-2-A-5-E-N-740-A-9-SRD-SP1

Series	LEDs	Gen.	Pods	Finials	Fasteners	Finishes	Optical System	Photo controls
TX03		G3						
TX03 Hagerstown LED post top	32 32 48 48 ¹ 64 64 ¹	G3 Gen3	A Octagonal fitter B Round fitter w/scalloped petals C Fluted tapered hourglass fitter ³ D Smooth tapered hourglass fitter ³ E Tapered fluted fitter w/scalloped flower petals ³ G Tall round fluted fitter ³ H Round contemporary fitter J Tapered fluted w/round stepped fitter L Round fluted long fitter T Decorative leaf fitter w/scalloped petals	A A finial B B finial C C finial D D finial E E finial F F finial G G finial H H finial N No finial	1 Hex head bolts 2 Allen head bolts	A Black B White G Verde H Bronze J Green	2 Type 2 2H Type 2 w/HSS 3 Type 3 3H Type 3 w/HSS 3W Type 3 Wide 3WH Type 3 Wide w/ HSS 4 Type 4 5 Type 5	Button eye photo controls E 120 VAC H 208/240/277 VAC K 347 VAC R Twist-lock receptacle ³ N None

Ordering guide (continued)

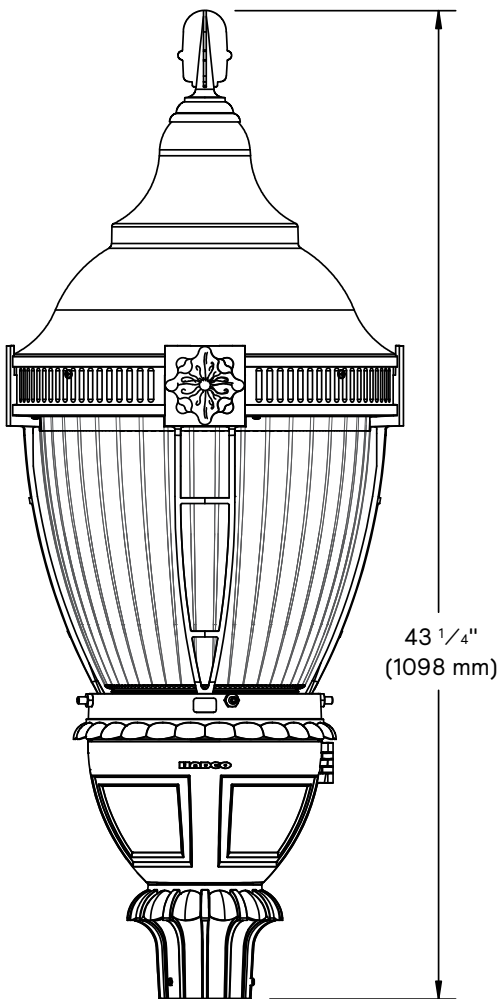
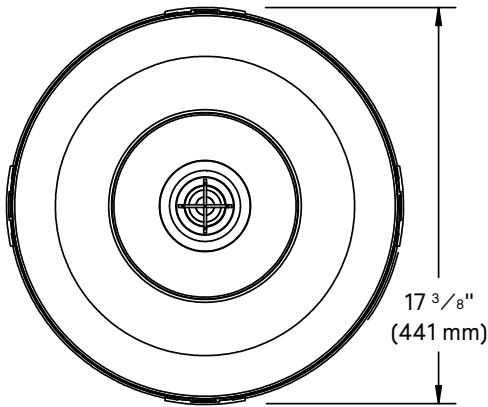
Future Proof controls	Color Temps	Voltages	Currents	Driver Options	Surge protection
R7 7-Pin Receptacle ⁴ N None	730 3000K 740 4000K	A 120-277 VAC B 347-480 VAC ²	3 350mA 5 530 mA 7 700mA 9 900mA 1 1050mA ¹	DA 4 hrs 25% reduction ² DB 4 hrs 50% reduction ² DC 4 hrs 75% reduction ² DD 6 hrs 25% reduction ² DE 6 hrs 50% reduction ² DF 6 hrs 75% reduction ² DG 8 hrs 25% reduction ² DH 8 hrs 50% reduction ² DJ 8 hrs 75% reduction ² DL Compatible with DALI N No dimming S FAWS Field adjustable wattage selector SRD Sensor ready driver (standard configuration) ^{1,2} SRD1 Sensor ready driver (alternate configuration) ^{1,2}	SP1 10kV/10kA (standard) SP2 20kV/20kA (optional)

1. Configurations with 48 (48) and 64 (64) LED array boards are not compatible with the 1050mA (1) drive current.
 64LED are limited to 35C ambient rating with 900ma driver current
 2. Consult factory.
 3. Configurations with C,D,E,G pods are not compatible with the Twist Lock receptacle (R) photo control.
 4. R7 is located on the top of the roof, N No Finial is required.

TX03 Hagerstown

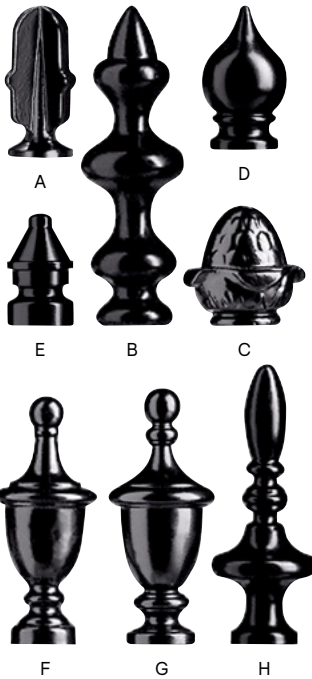
Post top

Dimensions



Max. EPA: 1.70 sq. ft.
Max. Weight: 37 lbs.

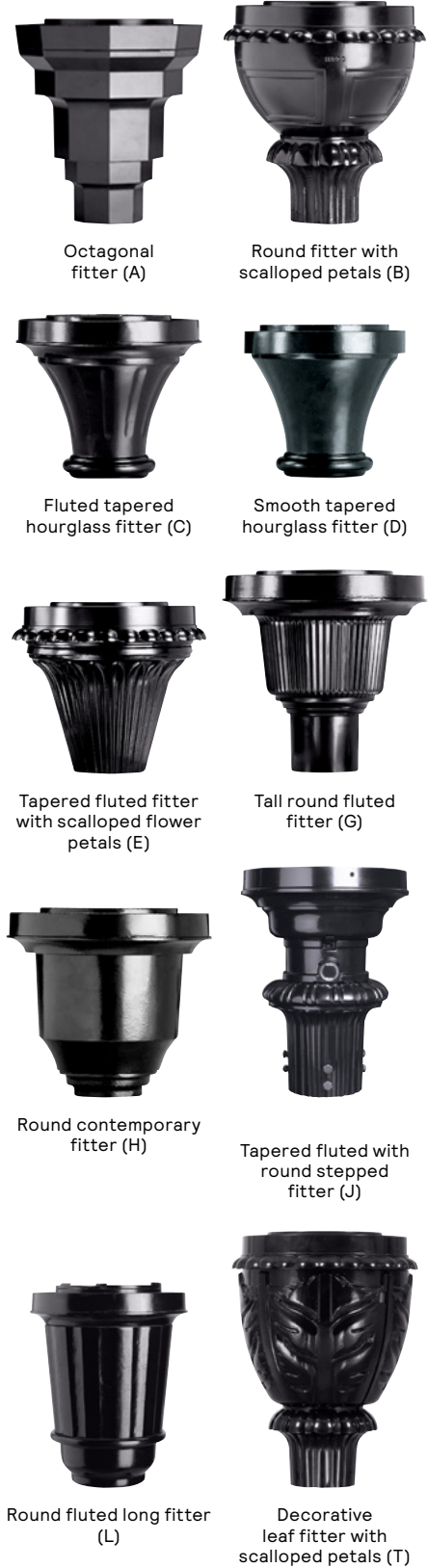
Finials



Shown with
Finial A and
Pod B.



Decorative Pods



TX03 Hagerstown

Post top

Lumen Charts

LED Module: 4000K	LED qty*	System current	Color Temp.	Average System Wattage**	Type 2			Type 3			Type 3W		
					Lumen Output	BUG Rating	Efficacy	Lumen Output	BUG Rating	Efficacy	Lumen Output	BUG Rating	Efficacy
TX0332-G3-x-740-3	32	350	4000	35.4	4284	B1-U2-G1	121	4280	B1-U2-G1	121	4413	B1-U2-G1	125
TX0332-G3-x-740-5	32	530	4000	51.8	5977	B2-U3-G2	115	5972	B1-U3-G1	115	6158	B2-U2-G2	119
TX0332-G3-x-740-7	32	700	4000	71.9	7829	B2-U3-G2	109	7823	B2-U3-G2	109	8066	B2-U3-G2	112
TX0332-G3-x-740-9	32	900	4000	93.9	9536	B2-U3-G2	102	9528	B2-U3-G2	101	9825	B2-U3-G2	105
TX0332-G3-x-740-1	32	1050	4000	107.7	10814	B2-U3-G2	100	10805	B2-U3-G2	100	11141	B3-U3-G3	103
TX0348-G3-x-740-3	48	350	4000	51.4	6247	B2-U3-G2	122	6241	B2-U3-G2	121	6436	B2-U3-G2	125
TX0348-G3-x-740-5	48	530	4000	75.5	8942	B2-U3-G2	118	8935	B2-U3-G2	118	9213	B2-U3-G2	122
TX0348-G3-x-740-7	48	700	4000	104.7	11418	B3-U3-G3	109	11408	B2-U3-G2	109	11764	B3-U3-G3	112
TX0348-G3-x-740-9	48	900	4000	136.8	13907	B3-U3-G3	102	13895	B3-U3-G3	102	14328	B3-U3-G3	105
TX0364-G3-x-740-3	64	350	4000	68.7	8172	B2-U3-G2	119	8165	B2-U3-G2	119	8419	B2-U3-G2	123
TX0364-G3-x-740-5	64	530	4000	105.5	11697	B3-U3-G3	111	11688	B2-U3-G2	111	12052	B3-U3-G3	114
TX0364-G3-x-740-7	64	700	4000	138.4	14937	B3-U3-G3	108	14924	B3-U3-G3	108	15389	B3-U3-G3	111
TX0364-G3-x-740-9	64	900	4000	179.9	18003	B3-U3-G3	100	17988	B3-U3-G3	100	18548	B3-U3-G3	103

LED Module: 4000K					Type 4			Type 5		
TX0332-G3-x-740-3	32	350	4000	35.4	4346	B1-U2-G1	123	4524	B3-U2-G1	128
TX0332-G3-x-740-5	32	530	4000	51.8	6064	B1-U3-G2	117	6312	B3-U2-G1	122
TX0332-G3-x-740-7	32	700	4000	71.9	7943	B2-U3-G2	110	8268	B3-U3-G2	115
TX0332-G3-x-740-9	32	900	4000	93.9	9675	B2-U3-G2	103	10071	B4-U3-G2	107
TX0332-G3-x-740-1	32	1050	4000	107.7	10971	B2-U3-G2	102	11420	B4-U3-G2	106
TX0348-G3-x-740-3	48	350	4000	51.4	6337	B1-U3-G2	123	6597	B3-U2-G2	128
TX0348-G3-x-740-5	48	530	4000	75.5	9072	B2-U3-G2	120	9443	B4-U3-G2	125
TX0348-G3-x-740-7	48	700	4000	104.7	11584	B2-U3-G2	111	12058	B4-U3-G2	115
TX0348-G3-x-740-9	48	900	4000	136.8	14109	B3-U3-G3	103	14686	B4-U3-G3	107
TX0364-G3-x-740-3	64	350	4000	68.7	8291	B2-U3-G2	121	8630	B3-U3-G2	126
TX0364-G3-x-740-5	64	530	4000	105.5	11867	B2-U3-G2	112	12353	B4-U3-G2	117
TX0364-G3-x-740-7	64	700	4000	138.4	15154	B3-U3-G3	109	15774	B4-U3-G3	114
TX0364-G3-x-740-9	64	900	4000	179.9	18264	B3-U3-G3	102	19012	B5-U3-G3	106

Lumen charts continued on next page.

* Configurations with 64 (64) LED array boards are limited to a 35C ambient rating with the 900mA (9) drive current.

** System wattage or total luminaire wattage includes the LED module and the LED driver. Note: Equivalence should always be confirmed by a photometric layout.

Note: Equivalence should always be confirmed by a photometric layout. Due to rapid and continuous advances in LED technology, LED luminaire data is subject to change without notice and at the discretion of Signify.

TX03 Hagerstown

Post top

Lumen Charts

LED Module: 3000K	LED qty*	System current	Color Temp.	Average System Wattage**	Type 2			Type 3			Type 3W		
					Lumen Output	BUG Rating	Efficacy	Lumen Output	BUG Rating	Efficacy	Lumen Output	BUG Rating	Efficacy
TX0332-G3-x-730-3	32	350	3000	35.4	4003	B1-U2-G1	113	4000	B1-U2-G1	113	4125	B1-U2-G1	117
TX0332-G3-x-730-5	32	530	3000	51.8	5586	B2-U3-G2	108	5581	B1-U3-G1	108	5755	B2-U2-G2	111
TX0332-G3-x-730-7	32	700	3000	71.9	7317	B2-U3-G2	102	7311	B2-U3-G2	102	7539	B2-U3-G2	105
TX0332-G3-x-730-9	32	900	3000	93.9	8913	B2-U3-G2	95	8905	B2-U3-G2	95	9182	B2-U3-G2	98
TX0332-G3-x-730-1	32	1050	3000	107.7	10107	B2-U3-G2	94	10098	B2-U3-G2	94	10412	B2-U3-G2	97
TX0348-G3-x-730-3	48	350	3000	51.4	5838	B2-U3-G2	114	5833	B2-U3-G2	113	6015	B2-U2-G2	117
TX0348-G3-x-730-5	48	530	3000	75.5	8357	B2-U3-G2	111	8350	B2-U3-G2	111	8610	B2-U3-G2	114
TX0348-G3-x-730-7	48	700	3000	104.7	10671	B2-U3-G2	102	10662	B2-U3-G2	102	10994	B3-U3-G3	105
TX0348-G3-x-730-9	48	900	3000	136.8	12997	B3-U3-G3	95	12986	B3-U3-G3	95	13390	B3-U3-G3	98
TX0364-G3-x-730-3	64	350	3000	68.7	7637	B2-U3-G2	111	7631	B2-U3-G2	111	7869	B2-U3-G2	115
TX0364-G3-x-730-5	64	530	3000	105.5	10932	B2-U3-G2	104	10923	B2-U3-G2	104	11263	B3-U3-G3	107
TX0364-G3-x-730-7	64	700	3000	138.4	13960	B3-U3-G3	101	13948	B3-U3-G3	101	14382	B3-U3-G3	104
TX0364-G3-x-730-9	64	900	3000	179.9	16825	B3-U3-G3	94	16811	B3-U3-G3	93	17334	B3-U3-G3	96

LED Module: 3000K					Type 4			Type 5		
TX0332-G3-x-730-3	32	350	3000	35.4	4062	B1-U2-G1	115	4228	B3-U2-G1	119
TX0332-G3-x-730-5	32	530	3000	51.8	5667	B1-U2-G2	109	5899	B3-U2-G1	114
TX0332-G3-x-730-7	32	700	3000	71.9	7423	B2-U3-G2	103	7727	B3-U3-G2	107
TX0332-G3-x-730-9	32	900	3000	93.9	9042	B2-U3-G2	96	9412	B4-U3-G2	100
TX0332-G3-x-730-1	32	1050	3000	107.7	10253	B2-U3-G2	95	10673	B4-U3-G2	99
TX0348-G3-x-730-3	48	350	3000	51.4	5923	B1-U3-G2	115	6165	B3-U2-G1	120
TX0348-G3-x-730-5	48	530	3000	75.5	8478	B2-U3-G2	112	8825	B3-U3-G2	117
TX0348-G3-x-730-7	48	700	3000	104.7	10826	B2-U3-G2	103	11269	B4-U3-G2	108
TX0348-G3-x-730-9	48	900	3000	136.8	13186	B3-U3-G3	96	13725	B4-U3-G2	100
TX0364-G3-x-730-3	64	350	3000	68.7	7748	B2-U3-G2	113	8065	B3-U3-G2	117
TX0364-G3-x-730-5	64	530	3000	105.5	11091	B2-U3-G2	105	11545	B4-U3-G2	109
TX0364-G3-x-730-7	64	700	3000	138.4	14163	B3-U3-G3	102	14742	B4-U3-G3	107
TX0364-G3-x-730-9	64	900	3000	179.9	17070	B3-U3-G3	95	17768	B5-U3-G3	99

* Configurations with 64 (64) LED array boards are limited to a 35C ambient rating with the 900mA (9) drive current.

** System wattage or total luminaire wattage includes the LED module and the LED driver. Note: Equivalence should always be confirmed by a photometric layout.

Note: Equivalence should always be confirmed by a photometric layout. Due to rapid and continuous advances in LED technology, LED luminaire data is subject to change without notice and at the discretion of Signify.

TX03 Hagerstown

Post top

Specifications

Roof

Roof is 0.090" thick spun aluminum (12¹/₈"H x 16⁷/₈"W). Easy future replacement of either roof or bottom globe section if required.

Globe

Narrow body globe is constructed of clear injection-molded vertically ribbed U.V. stabilized acrylic. The bottom section of the globe has a neck opening of 7³/₈" and an outside neck diameter of 8". Globe (less roof) has a 13³/₄"H x 14³/₄"W.

Cage

Cage for narrow body globes (15" dia.) is constructed of die-cast 360 aluminum alloy. Cage has 4 legs each with square decorative flower block. Solid rectangular band around top of cage. Height of cage is 17" and width of cage is 15". Finish is polyester thermoset powdercoat.

Pods

Wiring block to accept three #8 solid or stranded wires heavy cast aluminum post fitter utilizes three 5/16-18 black cadmium stainless steel set screws (Hex head or Allen head as specified) for mounting to 3" O.D. post tenon. Globe holder has an internal water trap to prevent water from entering ballast compartment. Globe is held by utilizing four 5/16-18 black cadmium stainless steel fasteners (Hex head or Allen head as specified). All hardware to be stainless steel and captive.

Optional Decorative Pods

Octagonal fitter (A) is constructed of die-cast 360 aluminum alloy with bottom-hinged door providing 135° entry into the fitter assembly for easy access to the electrical components. Optional internal twist-lock photo eye receptacle or optional button eye photocell. Easy access to photo eye through the door on the pod (10³/₄"H x 10¹/₄"W).

Round fitter with scalloped petals (B)

is constructed of die-cast 360 aluminum alloy with side-hinged door providing 180° entry into the fitter assembly for easy access to the electrical components. Optional internal twist-lock photo eye receptacle or optional button eye photocell. Easy access to photo eye through the door on the pod (12¹/₄"H x 11¹/₂"W).

Fluted tapered hourglass fitter (C)

is constructed of 356 HM High-Strength, Low-Copper cast aluminum. Optional internal button eye photocell (8"H x 8³/₄"W).

Smooth tapered hourglass fitter (D)

is constructed of 356 HM High-Strength, Low-Copper cast aluminum. Optional internal button eye photocell. (8"H x 9¹/₄"W)

Tapered fluted fitter with scalloped flower petals (E)

is constructed of 356 HM High-Strength, Low-Copper cast aluminum. Optional internal button eye photocell (10"H x 11¹/₂"W).

Tall round fluted fitter (G) is constructed of die-cast 360 aluminum alloy with removable door providing entry into the fitter assembly for easy access to the electrical components. Optional internal button eye photocell. Easy access to photo eye through door on the pod (9"H x 9"W).

Round contemporary fitter (H) is constructed of 356 HM High-Strength, Low-Copper cast aluminum. Optional internal twist-lock photo eye receptacle or optional internal button eye photocell. Easy access to photocell through tool-less door on pod (10"H x 10"W).

Tapered fluted with round stepped fitter (J) is constructed of 356 HM High-Strength, Low-Copper cast aluminum. Optional internal twist-lock photo eye receptacle. Tool-less access to photo eye through the door on the pod (14"H x 10"W).

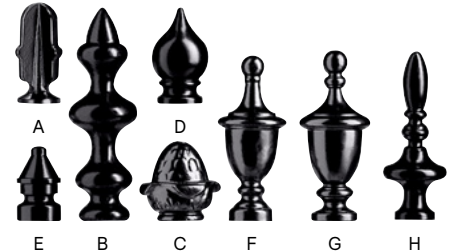
Round fluted long fitter (L) is constructed of 356 HM High-Strength, Low-Copper cast aluminum with a side-hinged door providing entry into the fitter assembly for easy access to the electrical components. Optional internal twist-lock photo eye receptacle or button eye photocell. Tool-less access to photo eye through the door on the pod (12¹/₂"H x 10³/₄"W).

Decorative leaf fitter with scalloped petals (T) is constructed of 356 HM High-Strength, Low-Copper cast aluminum with side-hinged door providing 180 degrees entry into the fitter assembly for easy access to the electrical components. Optional internal twist-lock photo eye receptacle or optional button eye photocell. Easy access to photo eye through the door on the pod (15¹/₄"H x 11¹/₂"W).



Finials

All finials are cast aluminum mounted with 1/4-20 stainless steel threaded studs. Standard finial finish will match fixture finish as specified. Finish is thwermoset powdercoat.



Fasteners

Used to secure post fitter to post tenon and globe to globe holder. Hex Head (1) and Allen Head (2) bolts feature Black cadmium stainless steel.

Light Engine

LEDgine is composed of five main components: Heat Sink, Lens, LED lamp, Optical System, and Driver. Electrical components are RoHS compliant.

LED Engine

Composed of high-performance white LEDs. Color temperature as per ANSI/NEMA bin - Neutral White, 4000 Kelvin nominal (3985K +/- 275K or 3710K to 4260K) or Warm White, 3000 Kelvin nominal (3045K +/- 175K or 2870K to 3220K), CRI 70 Min. 75 Typical.

Heat Sink

Made of cast aluminum optimizing the LEDs efficiency and life. Product does not use any cooling device with moving parts (only passive cooling device).

Future Proof Contorl

R7 - Receptacle with 7 pin enabling dimming and additional functionality (to be determined). Can be used with a twist lonk node pr a shorting cap. Will ship with a shorting cap installed for this product. Remove shorting cap when you ar ready to install your node.

Optical System

- 2: Type 2
- 2H: Type 2 with House side shield
- 3: Type 3
- 3H: Type 3 with House side shield
- 3W: Type 3 Wide
- 3WH: Type 3 Wide with House side shield
- 4: Type 4
- 5: Type 5

Above options are all composed of high performance optical grade PMMA acrylic refractor lenses to achieve desired distribution optimized to get maximum spacing, target lumens and a superior lighting uniformity. Optical system is rated IP66. Performance shall be tested per LM 63, LM 79 and TM 15 (IESNA) certifying its photometric performance. Street side indicated.

TX03 Hagerstown

Post top

Driver

Driver comes standard with 0-10V dimming capability. High power factor of 95%. Electronic driver, operating range 50/60 Hz. Auto adjusting universal voltage input from 120 to 277 VAC rated for both application line to line or line to neutral, Class I, THD of 20% max. Maximum ambient operating temperature from 40°F (4°C) to 130°F (55°C). Certified in compliance to UL1310 cULus requirement (dry and damp location). Assembled on a unitized removable tray with Tyco quick disconnect plug resisting to 221°F (105°C). The current supplying the LEDs will be reduced by the driver if the driver experiences internal overheating as a protection to the LEDs and the electrical components. Output is protected from short circuits, voltage overload and current overload. Automatic recovery after correction. Standard built in driver surge protection of 2.5kV (min).

Driver Options

SRD: Sensor Ready Driver including SR communication (used for dimming and other functionalities), 24V auxiliary supply and a logical signal input (LSI) connected to the top NEMA twist lock receptacle.

SRD1: Sensor Ready Driver including SR communication (used for dimming and other functionalities) but with 24V auxiliary supply and a logical signal input (LSI) not connected to the top NEMA twist lock.

DA: 4 Hrs 25% Reduction

DB: 4 Hrs 50% Reduction

DC: 4 Hrs 75% Reduction

DD: 6 Hrs 25% Reduction

DE: 6 Hrs 50% Reduction

DF: 6 Hrs 75% Reduction

DG: 8 Hrs 25% Reduction

DH: 8 Hrs 50% Reduction

DJ: 8 Hrs 75% Reduction

DL: Pre-set driver compatible with the DALI logarithmic control system

Surge Protection

Surge protector tested in accordance with ANSI/IEEE C62.45 per ANSI/IEEE C62.41.2 Scenario I Category C High Exposure 10kV/10kA waveforms for Line Ground, Line Neutral and Neutral Ground, and in accordance with U.S. DOE (Department of Energy) MSSLC (Municipal Solid State Street Lighting Consortium) model specification for LED roadway luminaires electrical immunity requirements for High Test Level 10kV / 10kA. Option for SP2 20kV/20kA.

Finish

Color in accordance with the AAMA 2603 standard. Application of polyester powder coat paint (4 mils/100 microns) with ± 1 mils / 24 microns of tolerance. The Thermosetting resins provides a discoloration resistant finish in accordance with the ASTM D2244 standard, as well as luster retention in keeping with the ASTM D523 standard and humidity proof in accordance with the ASTM D2247 standard. The surface treatment achieves a minimum of 2000 hours for salt spray resistant finish in accordance with testing performed and per ASTM B117 standard.

Luminaire Useful Life

Refer to IES files for energy consumption and delivered lumens for each option. Based on ISTMT in situ thermal testing in accordance with UL1598 and UL8750, using LM-80 data from LED manufacturers and engineering prediction methods, the luminaire useful life is expected to reach 100,000+ hours with >L70 lumen maintenance @ 25°C. Luminaire useful life accounts for LED lumen maintenance and additional factors, including LED life, driver life, PCB substrate, solder joints on/off cycles and burning hours for nominal applications.

LED products manufacturing standard

The electronic components sensitive to electrostatic discharge (ESD) such as light emitting diodes (LEDs) are assembled in compliance with IEC61340 5 1 and ANSI/ESD S20.20 standards so as to eliminate ESD events that could decrease the useful life of the product.

Quality Control

The manufacturer must provide a written confirmation of its ISO 9001 2008 and ISO 14001 2004 International Quality Standards Certification.

Vibration Resistance

Meets the ANSI C136.31 2001, American National Standard for Roadway Luminaire Vibration specifications for normal Applications.

Certifications and Compliance

cETL listed to Canadian safety standards for wet locations. Manufactured to ISO 9001:2008 Standards. UL8750 and UL1598 compliant. ETL listed to U.S. safety standards for wet locations. cETL listed to Canadian safety standards for wet locations. LM80 & LM79 tested.

IP Rating: The LED optics chamber is IP66 rated. The LED driver is IP66 rated.

Warranty: 5 year extended warranty.

Predicted Lumen Performance Data

Predicted lumen depreciation data ¹				
Ambient Temperature (°C)	Driver mA	Calculated L ₇₀ hours ^{1,2}	L ₇₀ per TM-21 ^{2,3}	Lumen Maintenance % @ 60,000 hours
25°C	up to 1050 mA	>100,000 hrs	>60,000 hrs	92.48%

1. Predicted performance derived from LED manufacturer's data and engineering design estimates, based on IESNA LM-80 methodology. Actual experience may vary due to field application conditions.
2. L₇₀ is the predicted time when LED performance depreciates to 70% of initial lumen output.
3. Calculated per IESNA TM21-11. Published L₇₀ hours limited to 6 times actual LED test hours.



© 2022 Signify Holding. All rights reserved. The information provided herein is subject to change, without notice. Signify does not give any representation or warranty as to the accuracy or completeness of the information included herein and shall not be liable for any action in reliance thereon. The information presented in this document is not intended as any commercial offer and does not form part of any quotation or contract, unless otherwise agreed by Signify.

Signify North America Corporation
400 Crossing Blvd, Suite 600
Bridgewater, NJ 08807
Telephone: 855-486-2216

Signify Canada Ltd.
281 Hillmount Road,
Markham, ON, Canada L6C 2S3
Telephone: 800-668-9008

All trademarks are owned by Signify Holding or their respective owners.