

# CHLORIDE

by  Signify



## Exit/Emergency

Compac

Remote unit CLR



CLR2



CLR2  
wet location

Project:	
Location:	
Cat.No:	
Type:	
Lamps:	Qty:
Notes:	

Chloride Compac remote emergency unit CLR is designed to complement the rest of the Compac exit/emergency family in looks and reliability. It allows for immediate and safe egress in low light situations and works in harmony within commercial and light industrial applications. The lamps can be aimed for the perfect left and right angle.

## Ordering guide

Example: CLR2W

Series	Configuration	Color	Options
<b>CLR</b>			
Compac LED remote unit	<ol style="list-style-type: none"> <li>Single LED remote lamp head</li> <li>Dual LED remote lamp heads</li> </ol>	<b>W</b> White finish <b>B</b> Black finish	<b>G</b> Gasketed for wet location (2 lamp, white finish only)

### Accessories (order separately)

- **WG5** - Wire guard (for **CLR** remote unit mounted flat against the wall)

### Application

- Suitable for damp locations (only CLR2WG suitable for wet locations).
- These LED remotes are designed to provide an attractive option for installing remote lamp heads.
- Each **CLR** LED remote unit is only compatible with Compac LED products.
- **CLR1W** and **CLR1B** contain one LED remote lamp head (3.6VDC 2.2W LED light source).
- **CLR2W** and **CLR2B** contain two LED remote lamp heads (each with a 3.6VDC 2.2W LED light source).
- **CLR2WG** contains two LED remote lamp heads (each with a 3.6VDC 2W LED light source) suitable for wet locations

### Construction

- Injection-molded thermoplastic ABS housing
- Die cast aluminum heat sink and lens.
- One 3.6V - 2.2W longlife LED per adjustable lamp head (3.6V - 2W for wet location 2 Lamp).
- Material is flame rated and UV stable.

- Available in a white and black finish (Gasketed option white finish only)
- Wall or ceiling mounted.
- **CLR1W, CLR2W, CLR1B & CLR2B** offer provisions for single gang, 3-1/2" & 4-1/2" and 4" square junction boxes. **CLR2WG** offers provisions for single gang, 3-1/2" and 4-1/2" octagonal junction boxes.

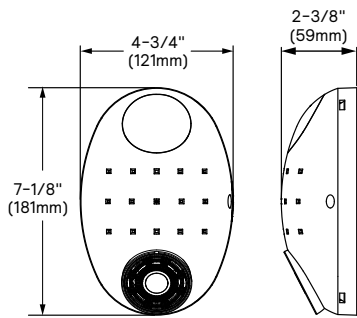
### Installation

- The backplate is secured via a universal knockout pattern to a recessed junction box (hardware supplied by others).
- If option "G" (gasketed) is selected, additional caulking may be required around edges of the backplate to provide a proper weather seal.

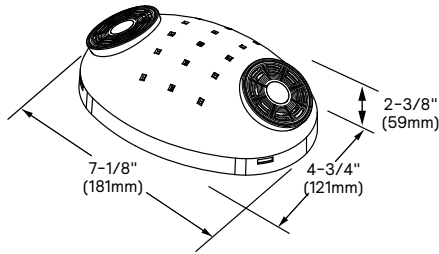
# CLR Compac LED remote unit

## Dimensions

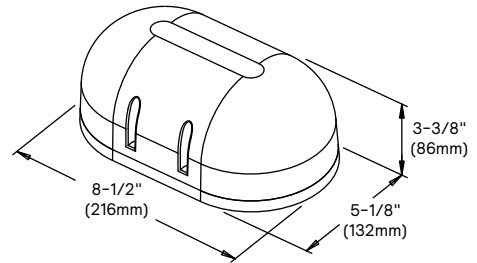
**CLR1**  
Single LED remote lamp head



**CLR2**  
Dual LED remote lamp heads



**CLR2 - Gasketed for wet location**  
Dual LED remote lamp heads



## Performance

Meets Life Safety Code illumination standard; average of 1.0 FC, no point less than 0.1 FC, max to min ratio of 40:1. Assumes open space with no obstructions.

	Compac CLR remote unit performance			
	80/50/20 Reflectance <sup>†</sup>		10/10/10 Reflectance <sup>‡</sup>	
Single Coverage	3' Path	6' Path	3' Path	6' Path
CLR Two remote lamp head	58'	56'	48'	42'

<sup>†</sup>Based on 6ft corridor and 9ft ceiling height and a mounting height of 7.5ft.

<sup>‡</sup>Based on 200ft by 200ft open area and 30ft ceiling height.

