

# Day-Brite CFI

by 

## Recessed

Arioso LED 2x2

Ribbed acrylic lens  
3200 or 3800 lumens



Project: \_\_\_\_\_  
 Location: \_\_\_\_\_  
 Cat.No: \_\_\_\_\_  
 Type: \_\_\_\_\_  
 Lamps: \_\_\_\_\_ Qty: \_\_\_\_\_  
 Notes: \_\_\_\_\_

The Day-Brite / CFI Arioso recessed LED with ribbed acrylic lens offers standard-setting efficiency without aesthetic compromise. These LED luminaires combine state-of-the-art, flexible and globally-recognized LED lighting platforms with proven Arioso optical combinations.

### Ordering guide

Example: 2AVEG32L835-2-ACR-UNV-DIM

Width	Family	Ceiling Type	Lumen Package	Color	Length	Shielding	Voltage	Driver	Options
2	AVE	G		-	2	ACR	-	-	
2 2'	AVE Arioso recessed LED	G 15/16" T-Grid or 9/16" Slot Grid	32L 3200 nominal lumens 38L 3800 nominal lumens	835 80 CRI, 3500K 840 80 CRI, 4000K	2 2'	ACR 100% frosted ribbed acrylic lens	UNV Universal Voltage, 120-277 volt 347 347V	DIM SDIM 0-10V dimming Step dimming to 40% input power	F1 3/8" flex, 3 wire 18 gauge 6' F2 3/8" flex, 4 wire 18 gauge 6' F1/D 3/8" Twin Flex, 3 Wire 18 gauge 6' for dimmable luminaires F2/SW 3/8" Single Flex, 5 Wire 18 gauge 6' for dimmable luminaires GLR Fusing, Fast Blow EMLED Integral emergency battery pack, 1100lm nominal (ballast enclosure on top of luminaire) DSC Quick driver disconnect

### Accessories (order separately)

- AVHD – Hold down clips
- FMA22 – 2'x2' "F" mounting frame for NEMA "F" mounting
- 2AVE-ACRC – replacement lens
- Electrical wiring options – Consult factory



# 2AVE Arioso recessed LED ribbed acrylic 2x2

3200 or 3800 lumens

## Features

- 100% frosted ribbed acrylic lens provides soft, balanced, direct and reflected light.
- Seamless welded form – curved top and side reflectors formed together without any gaps or visual barriers.
- High performance LED technology delivers up to 3824 lm at 40.5W.
- Multiple lumen outputs available to balance energy savings with lighting application needs.
- Ideal for indoor general area lighting – offices, schools, retail and health care applications.
- 80+ CRI and excellent color consistency.
- Capable of providing 25-40% energy savings over 2-T5HO (28W) fluorescent luminaires.
- High efficiency LEDs have a minimum 50,000 hour rated life (L70).
- Predicted L70 lifetime based on LED manufacturer's supplied LM-80 data and in-situ laboratory testing.
- Dimming option available.

## Construction/Finish

- 20 gauge steel housing assembly.
- 95% reflectance baked white acrylic matte paint finish.

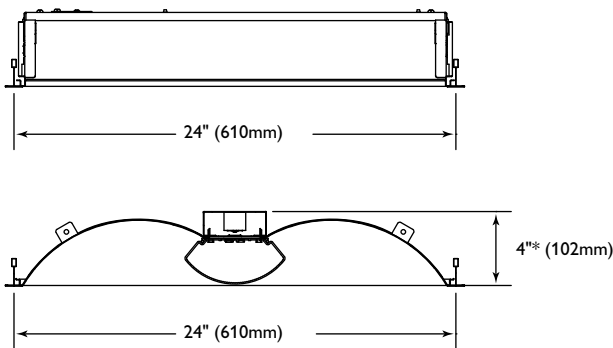
## Electrical

- LED boards and drivers are RoHS (Restriction of Hazardous Substances) compliant. For dimming options, consult factory. LED array and driver accessible from below.
- cCSAus listed.

## Enclosure

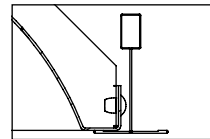
- High performance contoured lens conceals lamp image providing balance between reflected and direct light.

## Dimensions

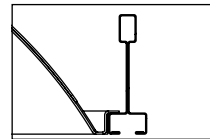


\* EMLED is 1-3/4" (45mm) deeper.

Ceiling compatibility for G type luminaire



Suited to standard exposed 15/16" T-grid ceilings



Suited to standard exposed Slot T-grid ceilings

## Photometry

### Arioso Recessed LED Ribbed Acrylic 2x2, 3200 nominal lumens

Catalog No.	2AVEG32L840-2-ACR	Candlepower				Light Distribution		
		Angle	End	45	Cross	Degrees	Lumens	% Luminaire
Test No.	31661	0	1063	1063	1063	0-30	819	26.42
S/MH	1.3	5	1053	1062	1063	0-40	1332	42.97
Lamp Type	LED	10	1034	1049	1056	0-60	2344	75.62
Lumens/Lamp	3103	15	1001	1022	1031	0-90	3099	100.00
Input Watts	31.3	20	955	983	1002			
		25	899	938	966			
		30	833	884	921			
		35	762	823	874			
		40	684	758	821			
		45	605	690	762			
		50	524	616	701			
		55	442	540	635			
		60	364	469	569			
		65	289	397	502			
		70	220	329	434			
		75	157	262	363			
		80	99	190	249			
		85	47	89	95			

Coefficients of Utilization									
EFFECTIVE FLOOR CAVITY REFLECTANCE 20 PER (pfc=0.20)									
pcc	80			70			50		
pw	70	50	30	70	50	30	50	30	
RCR									
0	1.19	1.19	1.19	1.16	1.16	1.16	1.11	1.11	
1	1.09	1.04	1.00	1.06	1.02	.98	.97	.94	
2	.99	.91	.85	.97	.89	.83	.86	.81	
3	.91	.80	.72	.88	.79	.71	.76	.70	
4	.84	.72	.63	.81	.71	.63	.68	.61	
5	.77	.64	.55	.75	.63	.55	.61	.54	
6	.71	.58	.49	.69	.57	.48	.55	.47	
7	.65	.52	.43	.63	.51	.42	.49	.42	
8	.60	.47	.38	.59	.46	.38	.45	.37	
9	.56	.43	.34	.55	.42	.34	.41	.33	
10	.52	.39	.31	.51	.38	.31	.37	.30	

# 2AVE Arioso recessed LED ribbed acrylic 2x2

3200 or 3800 lumens

## Arioso Recessed LED Ribbed Acrylic 2x2, 3800 nominal lumens

## LER – 94

<b>Catalog No.</b> 2AVEG38L840-2-ACR <b>Test No.</b> 31662 <b>S/MH</b> 1.3 <b>Lamp Type</b> LED <b>Lumens/Lamp</b> 3824 <b>Input Watts</b> 40.5	<b>Candlepower</b>				<b>Light Distribution</b>				
	<b>Angle</b> 0 5 10 15 20 25 30 35 40 45 50 55 60 65 70 75 80 85	<b>End</b> 1322 1309 1285 1245 1188 1118 1037 947 851 752 652 551 453 360 273 195 123 58	<b>45</b> 1322 1319 1302 1268 1219 1162 1093 1015 934 845 754 659 570 479 390 313 227 108	<b>Cross</b> 1322 1323 1314 1282 1247 1201 1145 1087 1021 948 872 790 708 624 540 452 313 313 119	<b>Degrees</b> 0-30 0-40 0-60 0-90	<b>Lumens</b> 1017.2 1651 2898 3820	<b>% Luminaire</b> 6.61 43.23 75.88 100.00		
Comparative yearly lighting energy cost per 1000 lumens – \$2.55 based on 3000 hrs. and \$.08 pwr KWH.	<b>Coefficients of Utilization</b>								
	<b>EFFECTIVE FLOOR CAVITY REFLECTANCE 20 PER (pfc=0.20)</b>								
	pcc	80		70			50		
	pw	70	50	30	70	50	30	50	30
	RCR								
	0	.119	.119	.119	.116	.116	.116	.111	.111
	1	1.09	1.04	1.00	1.06	1.02	.98	.97	.94
	2	.99	.91	.85	.97	.89	.83	.86	.81
	3	.91	.80	.72	.88	.79	.72	.76	.70
	4	.84	.72	.64	.82	.71	.63	.68	.61
	5	.77	.64	.56	.75	.63	.55	.61	.54
6	.71	.58	.49	.69	.57	.48	.55	.48	
7	.65	.52	.43	.64	.51	.43	.49	.42	
8	.61	.47	.39	.59	.46	.38	.45	.37	
9	.56	.43	.34	.55	.42	.34	.41	.34	
10	.52	.39	.31	.51	.38	.31	.37	.30	

Catalog Number	Delivered Lumens	Input Watts	Efficacy lm/W	8'x8' avg fc	8'x8' W/sq ft	8'x10' avg fc	8'x10' W/sq ft
2AVEG32L840-2-ACR	3103	31.3	99	48.4	0.49	38.7	0.39
2AVEG38L840-2-ACR	3824	40.5	94	59.7	0.63	47.8	0.51

