

Project: _____

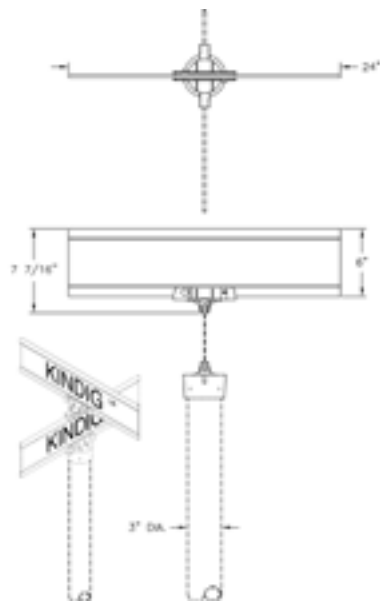
Location: _____

Cat.No: _____

Type: _____

Lamps: _____ Qty: _____

Notes: _____



Ordering Guide

Example: 197-EBX ABS A B WHT 15

Product Code	197-EBX	Street Sign
Finish	ABS	Antique Brass
	ACP	Antique Copper
	ARD	Antique Red
	ASI	Antique Silver
	BLK	Black
	BRN	Brown
	BRZ	Bronze
	FGN	Forest Green
	GRA	Granite
	IRN	Ironstone
	RBZ	Rustic Bronze
	SRT	Shadow Rust
	VBZ	Verde Bronze
	VCP	Verde Copper
	VGN	Verde
VTC	Vintage Copper	
WBZ	Weathered Bronze	
WHT	White	
Print	A	Single Sided
	B	Double Sided
	N	None
Vinyl Lettering Style	B	Block *1
Letter Color	WHT	White
Wording	15	Spaces (15)

*1 Vinyl Lettering Style Only

Specifications

CONSTRUCTION:

Extruded aluminum 24" x 6" sign with engineer grade reflective green vinyl both sides. attached to cast aluminum post fitter. Cast aluminum cross arm bracket. (Sign has 23" x 4" lettering area on both sides.)

FINISH:

Resilient TGIC thermoset polyester powdercoat paint is electrostatically applied to every fixture. Specially formulated for Philips Outdoor Lighting, it provides UV protection, and the highest temperature rating in the industry. In addition to the standard color choices shown, a spectrum of custom colors is available.

MOUNTING:

To mount 197-EBX top sign assembly, Customer must order 197-EB3 bottom sign and fitter assembly.

WARRANTY:

Three-year limited warranty.

197-EBX Accessories

Street sign

Specifications

Height:

7 7/16"

Width:

24"

