

LUMEC

by  Signify

Roadway

StreetView

SVM Roadway luminaire

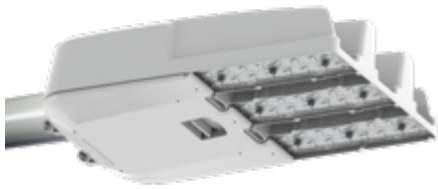


Superior performance and low price come together to fulfill a client's need

The Lumec StreetView LED luminaire is designed for many applications. It will efficiently illuminate major roads, collector roads, city streets, intersections, adjoining roadways, bridges and overpasses, and it is also a great choice for local roads and residential streets. The efficient design and optics make the StreetView perfect for small and medium road lighting needs because it will ensure maximum reliability and security at night for both drivers and citizens. And to up the charm factor StreetView is as easy to install as it is to maintain. Powered by the LEDgine platform and featuring innovative thermal management design, this LED luminaire has two major assets: exceptional performance and unbeatable value.

SVM StreetView

LED roadway luminaire



Features

- Specific features, standardized product
- High-performance white LEDs
- IP66-rated LEDging
- Innovative thermal management
- Light-weight luminaire, low effective projected area (EPA)

Benefits

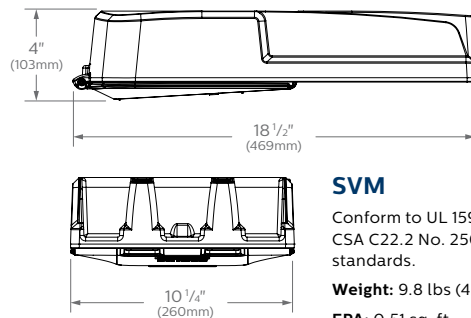
- Money saving upgrade from HID to LED Cobra Heads
- Outperform current HID product
- Reliable, long-lasting and low maintenance LED lighting solution
- Easy to install and maintain
- Operating lifespan of components and driver up to 100,000 hours

Applications

- Major Roads
- City Streets
- Collector Roads
- Intersections
- Adjoining Roadways
- Local Roads
- Residential Streets
- Bridges and Overpasses

Dimensions

Side View



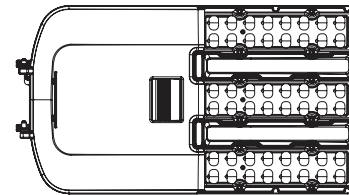
SVM

Conform to UL 1598 and CSA C22.2 No. 250.0-08 standards.

Weight: 9.8 lbs (4.5 kg)

EPA: 0.51 sq. ft.

Bottom View



Specifications

Optic	Types II, III, and V
Light source	Sealed IP66 module /16, 32 or 48 LEDs
Power (steady state in W, +/- 10%)	19 to 162 watts
Driver current	350mA, 470mA (16LED only), 530mA, 700mA, 1050 mA (140W48LED only)
Luminous flux	2,164 to 17,248 lumens
Correlated Color Temperature	4000K typical
Color Rendering Index	70 min, 75 typical
Maintenance of lumen output	100,000+ hours with > L ₇₀ at 25° C
Driver Lifetime	100,000 hours
Operating temperature range	-40° C / -40° F up to +40° C / +104° F
Driver	Integral surge protection 120-277 or 347-480v*, 50 / 60 Hz (* except 16 LED or 140W48LED versions)
Warranty	10-year limited warranty standard
Integrated features	Receptacle for a twist-lock photocell or shorting cap / Dimmable driver 0-10V
Luminaire Accessories	Quick snap-on tool-free house side shield / Photoelectric cell / Extended Life Photoelectric cell / Shorting cap
Material	Die cast Aluminum
Color	Gray finish standard
Mounting	2 bolt connection mounting, single clamp (1.66" OD, 1.9" OD, 2.375" OD) (1 1/4", 1 1/2" and 2" NPS pipe tenon). Tilt +/- 5° by steps of 2.5°
Vibration	Meets ANSI C136.31-2010 3G Rating

The information presented in this document is not intended as any commercial offer and does not form part of any quotation or contract.

