

**CHLORIDE**  
by 

---

**Exit/Emergency**

---

Synthesis CHT series

---

Single Phase Uninterruptible Power Supply, 1.5KVA



Project: \_\_\_\_\_

Location: \_\_\_\_\_

Cat.No: \_\_\_\_\_

Type: \_\_\_\_\_

Lamps: \_\_\_\_\_ Qty: \_\_\_\_\_

Notes: \_\_\_\_\_

**Example: CHTAA1.5S0**

CHT		1.5									
Series	Input Voltage	Output Voltage	Unit Size	Battery Time	Nol	Qty Ckt Breakers	Breakers On	Qty Nol Ckt Breakers	Nol Voltage	Qty Nol 2nd Voltage	
CHT - Chloride	A - 120 V	A - 120 V	1.5 - 1.5 kVA	S - 90 min	0 - None	00X - Hardwire	00 - 2nd Voltage	A - 1	1 - First	A - 1	
Synthesis CHT	J - 277 V	J - 277 V		X - 10 min	1 - Yes	01X - 1 OCB	Hardwire or No	B - 2	2 - Second	B - 2	
UPS System for		Y - 120/277 V		Y - 20 min	T - NOL	02X - 2 OCB	2nd Voltage	C - 3	3 - Both	C - 3	
Emergency					w/	03X - 3 OCB		D - 4	0 - No NOL	D - 4	
Lighting					TDT	04X - 4 OCB		E - 5		E - 5	
Applications						.	01	F - 6		F - 6	
						.	02	G - 7		G - 7	
						.	03	H - 8		H - 8	
						20X - 20 OCB	.	I - 9		I - 9	
							19	J - 10		J - 10	
						01A - 1 OCBA		K - 11		K - 11	
						02A - 2 OCBA		L - 12		L - 12	
						03A - 3 OCBA		M - 13		M - 13	
						.		N - 14		N - 14	
						.		O - 15		O - 15	
						.		P - 16		P - 16	
						010A - 10 OCBA		Q - 17		Q - 17	
						(maximum pole		R - 18		R - 18	
						spaces 20)		S - 19		S - 19	
								T - 20		T - 20	
								Z - None		Z - No NOL	

**Footnote**

<sup>1</sup> Optimum operating temperature of batteries is 77°F (25°C). Temperatures above 85°F (30°C) adversely impact battery life.

**unit check list**

Catalog No: \_\_\_\_\_

VA Rating: 1500

Battery Type: Sealed Lead Calcium

Operating Time: 90/20/10 Min.

Utility Input: \_\_\_\_\_ VAC, Single Phase

Output Circuit Breakers:

Qty: _____	AC Volts: _____	Amps: _____	Normally ON <input type="checkbox"/>	Normally OFF <input type="checkbox"/>	Trip Alarm YES <input type="checkbox"/>	NO <input type="checkbox"/>
Qty: _____	AC Volts: _____	Amps: _____	ON <input type="checkbox"/>	OFF <input type="checkbox"/>	YES <input type="checkbox"/>	NO <input type="checkbox"/>
Qty: _____	AC Volts: _____	Amps: _____	ON <input type="checkbox"/>	OFF <input type="checkbox"/>	YES <input type="checkbox"/>	NO <input type="checkbox"/>
Qty: _____	AC Volts: _____	Amps: _____	ON <input type="checkbox"/>	OFF <input type="checkbox"/>	YES <input type="checkbox"/>	NO <input type="checkbox"/>

Remarks: \_\_\_\_\_



# CHT Synthesis Single Phase Uninterruptible Power Supply

1.5 KVA

---

## codes and standards

- UL 924 listed

## construction

- Free standing, NEMA 1 enclosure with lockable control access panel.
- Double conversion, no interruption.
- Solid state pulse width modulated inverter.
- Internal, make before break maintenance by-pass.
- Standard, UL 924 compliant, 90 minute battery back up.
- UL 924 auxiliary equipment 10 and 20 minute back up available.
- Microprocessor control and diagnostic system.
- LED array system status panel
- Fault annunciating audible alarm.
- Current limiting start sequence.
- Optional output circuit breakers (OCB) and circuit breakers with trip alarm (OCBA).
- Optional normally off load (NOL) energizes only during power outage, normally off load with time delay (TDT) also available.
- Seismic anchoring compatible.
- 90% throughput efficiency, 85% emergency efficiency.
- Operating temperature range 32°F (0°C) to 104°F (40°C)1.
- Fault current rating 42 kAIC.
- Audible noise less than 50 dB at 3 ft on "A" weighted scale.
- Automatic low battery voltage disconnect.

## application

- The solid state pulse width modulated (PWM) inverter offers enhanced load compatibility.
- It operates incandescent, magnetic and electronic ballast fluorescent, high power factor compact fluorescent and high intensity discharge (HID) luminaries.
- Provides conditioned, uninterruptible power for other types of critical loads.
- Consult factory for non-lighting load applications.

## electronics - input

- Input power factor correcting to 0.99.
- Frequency range 60 Hz, ±2.5 Hz.
- Input harmonic current distortion < 5% THD.
- UL1449, ANSI/IEEE C62.41 surge suppression.

## electronics - output

- Sine wave output.
- Voltage regulation ±2%.
- Frequency regulation - synchronized to utility, free running 60 Hz, ±0.5%.
- Output voltage distortion maximum 3% THD with linear load.
- Load power factor capability 0.7 lead to 0.7 lag.
- Overload capability 125% for 10 seconds.

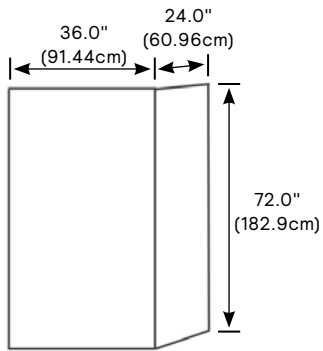
## warranty

- Standard warranty: (requires execution of factory start-up within 120 days of shipment) Chloride will provide parts and on-site labor for the first 12 months following start-up of the product, and parts only for an additional 12 months. If factory start-up is not executed within 120 days of shipment, Chloride will provide a parts warranty for 12 months from the date of shipment.
- Extended warranty available: consult factory for extended warranty and service option.

# CHT Synthesis Single Phase Uninterruptible Power Supply

1.5 KVA

## dimensions



## system input/output

System Rating (kW/kVA)	1.5
Input Volt. (V) : Input Curr. (A)	120 : 22.1 120/240 : N/A 277 : 9.8 120/208 : N/A
Output Volt. : Output Current*	120 : 12.5 120/240 : N/A 277 : 5.4 120/208 : N/A 120/277 : 12.5/5.4
OCB Pole Spaces Available	
Without Trip Alarm	20
With Trip Alarm	10
Heat Rejection (btu/hr)	716
Weight (lbs)	
Electronics	650
90 Min Battery	445
20 Min Battery	90
10 Min Battery	60

\* Multi-voltage total loads not to exceed system rating.

## system one-line diagram

