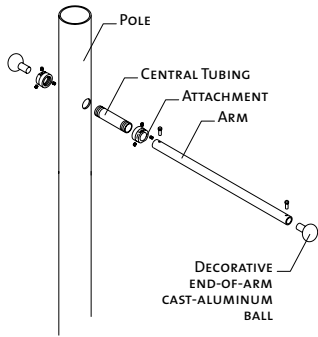


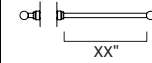
BA > POLE OPTION DETAILS

BAS / BAD > BANNER ARMS

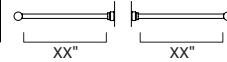
> shown here on a straight round pole



BASXX > Single banner arm

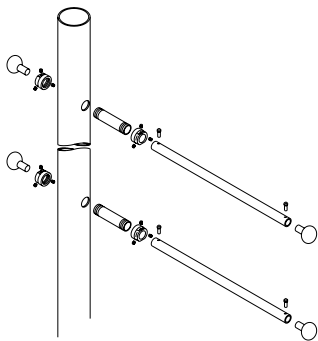


BADXX > Double banner arm

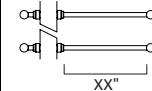


BAS(2) / BAD(2) > BANNER ARMS

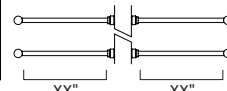
> shown here on a straight round pole



BAS(2)XX > Single banner arm

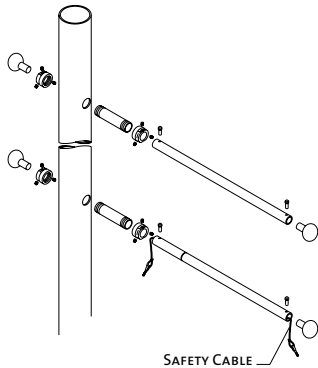


BAD(2)XX > Double banner arm

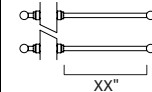


BABS(2) / BABD(2) > BREAK-AWAY BANNER ARM

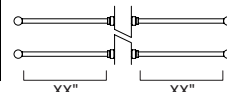
> shown here on a straight round pole



BASB(2)XX > Single banner arm

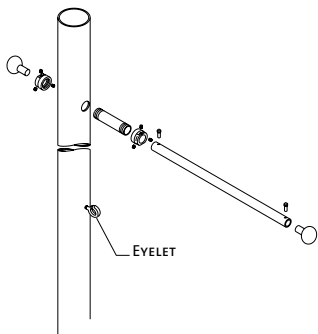


BABD(2)XX > Double banner arm

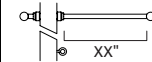


BAE > BANNER ARM WITH EYELET

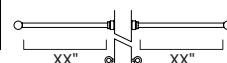
> shown here on a straight round pole



BAEEX > Single banner arm



BAEEX > Double banner arm



Specifications:

Lumec's Banner Arms **BAS / BAD** are designed to fit on a round, fluted, square and multi-sided pole, using a central tubing inserted through two opposite 1 3/8" (35 mm) holes.

The aluminum banner arm [1 1/16" diameter (27 mm)] easily slip-fits into the central tubing and it is secured with the attachment by stainless steel hardware. Completing the installation are two end-of-arm decorative casting.


Consult factory for all banner arm heights and orientations.

Optional Lily Flower end-of-arm casting available (LF option).

Specify width of banner(s) as the xx dimension in the ordering number.

Order in 1" (25 mm) increments only (ex: BAS11)

> Lumec strongly recommends that the banner arm should be at least 8 feet from the ground.

Decorative end-of-arm option 

LF

Specifications:

Lumec's Banner Arms **BAS(2) / BAD(2)** are designed to fit on a round, fluted, square and multi-sided pole, using a central tubing inserted through two opposite 1 3/8" (35 mm) holes.

The aluminum banner arm [1 1/16" diameter (27 mm)] easily slip-fits into the central tubing and it is secured with the attachment by stainless steel hardware. Completing the installation are two end-of-arm decorative casting.


Consult factory for all banner arm heights and orientations.

Optional Lily Flower end-of-arm casting available (LF option).

Specify width of banner(s) as the xx dimension in the ordering number.

Order in 1" (25 mm) increments only (ex: BAS(2)11)

> Lumec strongly recommends that the banner arm should be at least 8 feet from the ground.

Decorative end-of-arm option 

LF

Specifications:

Lumec's Break-Away Banner Arms **BABS(2) / BABD(2)** are designed to fit on a round, fluted, square and multi-sided poles, using a central tubing inserted through two opposite 1 3/8" (35 mm) holes with a cable-secured break-away lower arm.

The aluminum banner arm [1 1/16" diameter (27 mm)] easily slip-fits into the central tubing and it is secured with the attachment by stainless steel hardware. Completing the installation are two end-of-arm decorative casting.

Consult factory for all banner arm heights and orientations.

Optional Lily Flower end-of-arm casting available (LF option).

Specify width of banner(s) as the xx dimension in the ordering number.

Order in 1" (25 mm) increments only (ex: BABS(2)11)

> Lumec strongly recommends that the banner arm should be at least 8 feet from the ground.

Decorative end-of-arm option 

LF

Specifications:

Lumec's Banner Arms **BAE** is designed to fit on a round, fluted, square and multi-sided poles, using a banner arm fitter inserted through two opposite 1 3/8" (35 mm) holes completed with eyelet below banner arm installed on pole.

The aluminum banner arm [1 1/16" diameter (27 mm)] easily slip-fits into the central tubing and it is secured with the attachment by stainless steel hardware. Completing the installation are two end-of-arm decorative casting.

Consult factory for all banner arm heights and orientations.

Optional Lily Flower end-of-arm casting available (LF option).

Specify width of banner(s) as the xx dimension in the ordering number.

Order in 1" (25 mm) increments only (ex: BAS11)

> Lumec strongly recommends that the banner arm should be at least 8 feet from the ground.

Decorative end-of-arm option 

LF

Note: Lumec reserves the right to modify the above details to reflect changes in the cost of materials and/or production and/or design without prior notice.

LUMEC