

Day-Brite

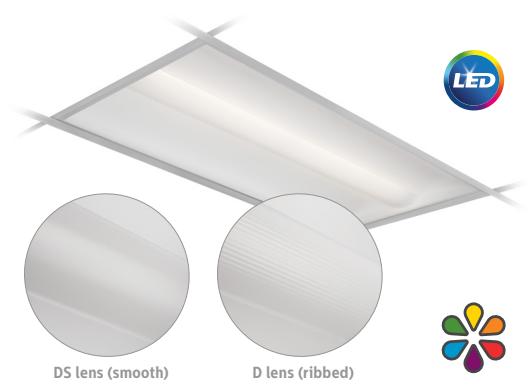


by @signify

Recessed

SofTrace 2x4

2STX up to 7400 lumens



Day-Brite / CFI SofTrace LED recessed is a fully luminous aperture luminaire providing contemporary appeal to architectural spaces. The linear form includes a round profile center and contiguous contoured sides with balanced glare to provide a clean aesthetic appeal. Its architectural style coupled with controls options makes SofTrace an ideal choice for applications such as office, institutional, and healthcare where energy savings and customized effect are desired.

SofTrace now offers AccuRender technology for the highest color quality at the highest efficacy.

Ordering guide - standard & wireless controls

Standard configurations available with all choices, unless otherwise noted. Base configurations selections indicated by blue.

example: 2STXG38L840-4-DS-UNV-DIM-SWZCS

Width	Family	Ceiling Type	Lumens (nominal delivered)	Efficacy	Color	Length	Center Diffuser	Voltage	Driver	Options
2	STX	G			-	4		-	-	
2	2' STX SofTrace gen 2	G Grid	Base configuration 42B 4200 Standard configurations 38L 3800 43L 4300 48L 4800 54L 5400 74L 7400 Other lumen packages may be ordered in increments of 100lm from 3800 to 7400 lumens	Blank Standard H ⁵ High	830 80 CRI, 3000K 835 80 CRI, 3500K 840 80 CRI, 4000K 850 80 CRI, 5000K AccuRender^{8,9} 930 90 CRI, 3000K 935 90 CRI, 3500K 940 90 CRI, 4000K	4 4'	D Diffuse (ribbed) DS Diffuse (smooth)	UNV Universal Voltage, 120-277 volt 347 347V	DIM¹ SDIM Dimming Step dimming to 40% input power LDE Lutron LDE5, 5% dimming LDEH Lutron LDE1, 1% dimming DALI DALI dimming	F1 3/8" flex, 3 wire 18 gauge 6' F2 3/8" flex, 4 wire 18 gauge 6' F1/D 3/8" twin flex, 3 wire 18 gauge 6' for dimmable luminaires F2/5W 3/8" single flex, 5 wire 18 gauge 6' for dimmable luminaires F2/6W 3/8" single flex, 6 wire 18 gauge 6' for dimmable and emergency luminaires GLR Fusing, fast blow BSL10LST⁴ Bodine 10W selftesting battery pack BSL6LST⁴ Bodine 6W selftesting battery pack DSC Quick driver disconnect CHIC³ Chicago Plenum rated ER100^{4,6,7} UL924 listed sensor bypass relay, factory installed between driver & sensor GTD/E^{4,6} UL924 listed Bodine GTD factory installed on driver input

Ordering guide - PoE controls

example: 2STXG38L840-4-DS-LV-POE-IAO

Width	Family	Ceiling Type	Lumens (nominal delivered)	Efficacy	Color	Length	Center Diffuser	Voltage	Driver	Options
2	STX	G			-	4		-	-	
2	2' STX SofTrace gen 2	G Grid	Standard configurations 38L 3800 43L 4300 48L 4800	Blank Standard	830 80 CRI, 3000K 835 80 CRI, 3500K 840 80 CRI, 4000K 850 80 CRI, 5000K	4 4'	D Diffuse (ribbed) DS Diffuse (smooth)	LV - POE -	POE Power over ethernet	EMPOE 600lm integral emergency driver and battery pack IAO Integral Interact Office daylighting and occupancy sensor, enables wireless connected lighting control IAOSB Interact Office advanced wired sensor bundle, integral SC2000 w/loT capabilities for enterprise scale projects

Footnotes

- Integral controls options dimmable to 5% via wireless wall switch. Non-controls options are 0-10v dimmable to 1% for Standard configurations, and to 10% for Base configurations.
- Specify only with -DIM driver option.
- CHIC option not provided with air return functionality.
- Not available with 347V.
- High efficacy option may only be ordered with Standard lumen configurations.
- Must be installed in conjunction with a UL1008 device.
- Must be ordered with an integral sensing option.
- AccuRender is 90CRI with R_a>50.
- Option is qualified as Engineered-to-Order (ETO) ready. Lead times and minimum order quantities may vary, please consult factory. (DLC Standard efficacy only)
- Must order IRT9015 Interact commissioning remote with each system order.

Accessories (order separately)

- FSF424** - 2'x4' surface mount field installation kit (field assembled)
- FMA24** - 2'x4' "F" mounting frame for NEMA "F" ceiling
- STXDS24L** - 2'x4' SofTrace Gen2 smooth replacement lens
- STXDS24LC** - 2'x4' SofTrace Gen2 with controls smooth replacement lens
- STXD24L** - 2'x4' SofTrace Gen2 ribbed replacement lens
- STXD24LC** - 2'x4' SofTrace Gen2 with controls ribbed replacement lens

SWZCS accessories (order separately)

- IRT9015** - handheld remote for grouping and configuration (at least one remote required for any SWZCS installation).



2STX SofTrace recessed 2x4

up to 7400 lumens

Application

- Ideal for modern offices, institutional, retail, and healthcare applications.
- Modern architectural styling to complement any space.
- Full width luminous lens provides smooth brightness and high visual comfort.
- Directs a controlled amount of light to higher angles to eliminate "cave effect" without creating glare.
- Available in standard efficacy and high efficacy (H) configurations up to 130lm/W.
- 80 CRI minimum source provides a balanced spectral power distribution.
- AccuRender 90 CRI source provides preferred color quality.
- Suitable for use with NEMA G (15/16") and NFG (9/16") suspended t-grid ceilings. NEMA F flange ceilings require the FMA24 accessory (ordered separately).
- Suitable for end to end continuous row mounting. 1" gap between luminaires requires chase nipple to accommodate through wiring (by others).
- Sheetmetal components are multi-stage phosphate treated for maximum corrosion resistance and finish coat is high reflectance baked white enamel.
- Integral louvers on housing ends allow air from the heated space to return to a pressurized plenum.

Construction/Finish

- Robust and durable dieformed embossed steel housing and end caps.
- Molded one-piece acrylic diffuser may be removed without tools for access to LED boards and driver(s).
- Unique spring retainers ensure the diffuser is centered in the housing opening at all times.
- T-bar grid clips are built into luminaire end caps for quick and easy installation, no extra parts.
- Air return functionality is standard for all configurations. See air flow and noise data on page 4.

Energy data

Configuration	Nominal CCT/ CRI	Flux (lm)	Input Power (W)	Efficacy (LPW)	DLC
2STXG42B835	3500K/80	4206	34	123	Standard
2STXG42B840	4000K/80	4287	34	128	Premium
2STXG38L835	3500K/80	3844	32	120	Standard
2STXG38L840	4000K/80	3810	32	118	Standard
2STXG38LH835	3500K/80	3874	30	129	Premium
2STXG38LH840	4000K/80	3840	30	128	Premium
2STXG43L835	3500K/80	4282	36	119	Standard
2STXG43L840	4000K/80	4240	36	117	Standard
2STXG43LH835	3500K/80	4352	34	130	Premium
2STXG43LH840	4000K/80	4523	34	135	Premium
2STXG48L835	3500K/80	4889	41	119	Standard
2STXG48L840	4000K/80	4783	41	116	Standard
2STXG48LH835	3500K/80	4851	37	131	Premium
2STXG48LH840	4000K/80	5026	37	135	Premium
2STXG54L835	3500K/80	5521	48	115	Standard
2STXG54L840	4000K/80	5495	48	114	Standard
2STXG54LH835	3500K/80	5539	42	131	Premium
2STXG54LH840	4000K/80	5733	42	135	Premium
2STXG74L835	3500K/80	7452	70	107	Standard
2STXG74L840	4000K/80	7400	70	105	Standard
2STXG74LH835	3500K/80	7546	58	129	Premium
2STXG74LH840	4000K/80	7785	59	132	Premium

Electrical

- Driver and LED board are accessible from below by easy removal of lens.
- Non-controls Base configurations 0-10V dimmable to 10%.
- Non-controls Standard configurations 0-10V dimmable to 1%.
- Standard configurations with controls options dimmable via wireless switches (see below).
- Predicted L70 lumen maintenance up to 85,000 hours at 25°C ambient for all configurations.
- Emergency battery packs accessible from above. To estimate lumen output in emergency mode, multiply emergency pack wattage by luminaire efficacy, then by 1.10.
- The GTD/E option is used to bypass wall switches and allow luminaire operation on auxiliary power. Generator transfer requires installation in conjunction with a UL1008 listed device.
- The GTD/SNSR option is used to bypass integrated sensor control in the event of utility power loss. Generator transfer requires installation in conjunction with a UL1008 listed device.
- Compliance to CAN ICES-005-A/ NEB-005-A and FCC Part 15-A.

Validation

- cETLus listed for use in damp locations
- When ordered with -WL option code, suitable for use in wet locations with covered ceilings
- Rated for direct contact with insulation (IC)
- CCEA Chicago Plenum listed
- SofTrace luminaires are Designlights Consortium® qualified. Please see the DLC QPL list for exact catalog numbers, www.designlights.org/QPL

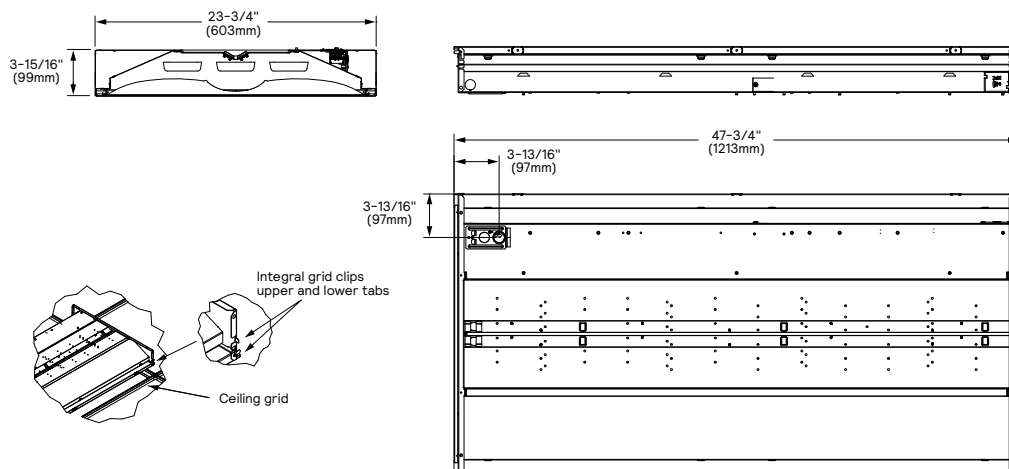
Environment

- Rated for dry or damp locations in operating ambient temperatures 0-30°C (32-86°F). Many luminaire components, such as reflectors, refractors, lenses, sockets, lampholders, and LEDs are made from various types of plastics which can be adversely affected by airborne contaminants. If sulfur based chemicals, petroleum based products, cleaning solutions, or other contaminants are expected in the intended area of use, consult factory for compatibility. Not suitable for natatorium environments.

Warranty

- 5 year manufacturer's limited warranty. Visit signify.com/warranties for complete warranty information.

Dimensions



2STX SofTrace recessed 2x4

up to 7400 lumens

Wireless Controls Options

SpaceWise DT (SWZDT)

- Standalone daylight and occupancy sensing with advanced grouping, wireless mesh networking and dwell time.
- Commissioning via compatible Android phone and Philips Field App
- Dimming via compatible Zigbee wireless wall switch only (see link below for details)
- Register for the commissioning app at <http://registration.componentcloud.philips.com/appregistration/>
- Integral sensing options may not be combined
- For more information including recommended switches, refer to the following: -
SWZDT - www.usa.lighting.philips.com/systems/lighting-systems/spacewise

Emergency Options (ER100)

- Power Sensing (Factory default) - Recommended UL924 option requires unswitched power sense line, absence of voltage on the normal circuit triggers luminaire to 100% output
- Power Interruption Detection (Field option) - Detects AC power interruption >30ms triggers 90 minute emergency mode with luminaire at 100% output

SofTrace shown with integral sensor



Interact Pro scalable sensor for Foundation, Advanced & Enterprise tiers (SWZCS and an evolution of SpaceWise)

- SWZCS is a connected sensor with integral occupancy and daylight sensing and supports wireless mesh connectivity.
- The sensor works in the Foundation mode (similar to SpaceWise) when configured without a gateway or in an Interact Pro Advanced or Enterprise mode if a compatible gateway is used.
- Interact Pro includes an App, a portal and a broad portfolio of wireless luminaires, lamps and retrofit kits all working on the same system.
- Startup is implemented via Interact Pro App (Android or iPhone) & BlueTooth connectivity. The App provides flexibility to choose between a gateway or non gateway mode for setup.
- Setup with the gateway requires wired internet access to the gateway. It is possible to add a gateway at a later point.
- Prepare project configuration steps remotely and use IRT9015 remote onsite to identify and group devices together.
- Compatible with:
 - SWS200 wireless scene switch
 - Battery powered IP42 presence sensor OCC sensor IA CM WH 10/1
 - Battery powered IP42 presence & daylight sensor OCC-DL sensor IA CM IP42 WH
 - LCN3110: Battery powered IP65 presence sensor, OCC sensor IA CM IP65WH
 - LCN3120: Battery powered IP65 presence & daylight sensor, OCC-DL sensor IA CM IP65 WH
- For more information on Interact Pro visit: www.interact-lighting.com/interactproscalablesystem

Radio only sensor (RADIO)

- Integral RADIO only sensor simply enables wireless mesh connectivity to the luminaire without any occupancy or daylight sensing.
- Ideal for applications where sensing functionality is managed by other Interact devices and the luminaire only needs to have wireless connectivity.

Interact Pro scalable sensor bundles for Enterprise tier

- IAOSB option in addition to occupancy and daylight sensing supports advanced IoT capabilities such as people estimation analysis, desk level temperature & humidity sensing, noise classification, and BLE beacon.
- Compatible with SWS200 wireless scene switch and Interact Ready wireless battery powered sensors.
- Use Interact software and insights to increase building efficiency, achieve building wide integration and optimize space through occupancy analytics.
- Requires compatible Gateway and internet connectivity for commissioning.
- For more information, visit: www.interact-lighting.com/office or www.usa.lighting.philips.com/systems/system-areas/offices

Wired Controls Options

Interact Office Wired (PoE)

- PoE based IoT connected lighting solution for large enterprises that span across multiple floors, buildings and require multiple gateways.
- Use Interact software and insights to increase building efficiency, achieve building wide integration and optimize space through occupancy analytics.
- IAOSB option in addition to occupancy and daylight sensing supports advanced IoT capabilities such as people estimation analysis, desk level temperature & humidity sensing, noise classification, and BLE beacon.
- PoE lighting controller is accessible from below.
- Integral sensor option for occupancy sensing (PIR) and/or daylight harvesting available for additional energy savings.
- Optional integral emergency controller and battery pack provides 600lm nominal output. Test switch and indicator light mounted on side of chassis on one end.
- Emergency battery has a 3 month pre-installed shelf life, and must be stored and installed in environments of 20C to 30C (-4F to 86F) ambient, and 45-85% relative humidity.
- For more information, visit: www.interact-lighting.com/office or www.usa.lighting.philips.com/systems/system-areas/offices

Energy Data (PoE)

Configuration	Nominal CCT/CRI	Flux (lm)	DC Power (W)*	Efficacy (LPW)
2STXG38L840	4000K/80	3895	30	129
2STXG43L840	4000K/80	4356	34	127
2STXG48L840	4000K/80	4891	39	124

*DC power supply

2STX SofTrace recessed 2x4

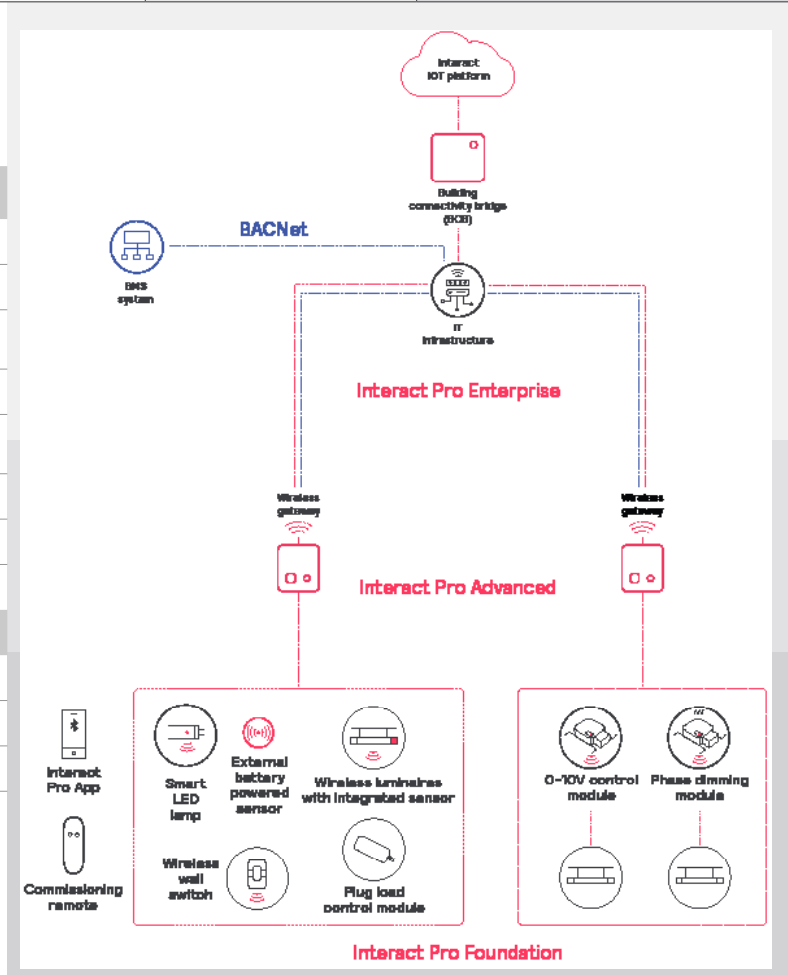
up to 7400 lumens

Interact Pro scalable system			
	Foundation	Advanced	Enterprise
Dimming, grouping, and zoning	✓	✓	✓
Bluetooth and ZigBee enabled	✓	✓	✓
Motion sensing and daylight harvesting	✓	✓	✓
Integration with 0-10V and phase dimming fixtures	✓	✓	✓
Code compliance	✓	✓	✓
Granular dimming and dwell time	✓	✓	✓
Energy reporting and monitoring		✓	✓
Scheduling		✓	✓
Demand response		✓	✓
BMS integration (BACnet)			✓
Floor plan visualization			✓
IoT sensors for wellness			✓
IoT Apps for productivity			✓

Currently supported maximum system size

To be able to design the lighting system correctly for the customer, it is important to know the prime characteristics of the system, its possibilities and limitations.

System level	
Total number of gateways	Unlimited
Total number of devices	200 per network
• luminaires with integrated sensors	150
• smart TLEDs	150
Total number of ZGP devices (sensors and switches)	50
• sensors	30
• switches	50
• zones and groups	64
Group level	
Recommended number of lights	40 (recommended 25)
Number of ZGP devices	5
Number of scenes	16



2STX SofTrace recessed 2x4

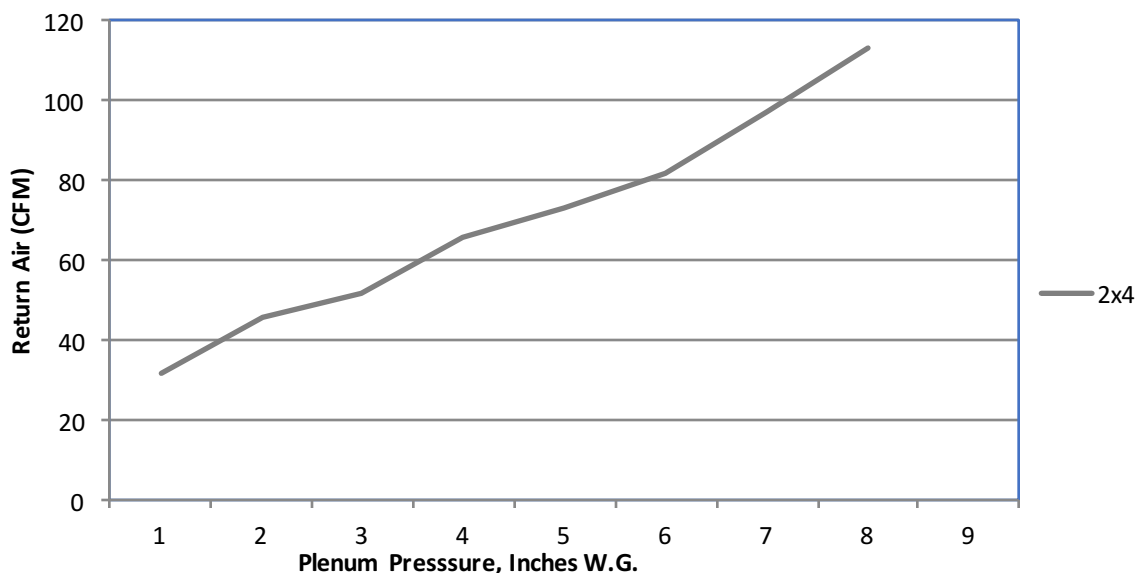
up to 7400 lumens

Air return



Integral louvers on housing ends allow air from the heated space to return to a pressurized plenum.

Return Air Data



2x4 Return Air - noise criteria

	27	37	53	62	71	80	90	102
CFM	27	37	53	62	71	80	90	102
NC (dB)	<15	24	25	29	33	35	38	40

Photometry

2x4 SofTrace recessed LED, base configuration, 4300 nominal delivered lumens

LER - 128

Catalog No.	2STXG42B840-4-D-UNV-DIM
Test No.	40708
S/MH	1.3
Lamp Type	LED
Lumens	4287
Input Watts	34

Comparative yearly lighting energy cost per 1000 lumens - \$1.88 based on 3000 hrs. and \$.08 pwr KWH.

The photometric results were obtained in the Day-Brite laboratory which is NVLAP accredited by the National Institute of Standards and Technology.

Photometric values based on test performed in compliance with LM-79.

Candlepower

Angle	End	45	Cross	Back-45
0	1491	1491	1491	1491
5	1466	1486	1498	1486
15	1409	1431	1445	1431
25	1298	1324	1340	1324
35	1143	1174	1191	1174
45	956	988	1007	988
55	741	776	797	776
65	506	548	572	548
75	248	300	330	300
85	60	102	103	102

Light Distribution

Degrees	Lumens	% Luminaire
0-30	1154	26.9
0-40	1887	44.0
0-60	3337	77.8
0-90	4288	100.0
0-180	4288	100.0

Average Luminance

Zone	End	45'	Cross
45	2100	2170	2211
55	2006	2100	2158
65	1859	2014	2101
75	1485	1799	1980
85	1064	1810	1839

Coefficients of Utilization

EFFECTIVE FLOOR CAVITY REFLECTANCE 20 PER (pfc=0.20)										
pfc =	20			70			50			
Ceil	80		30		70		50		30	
Wall	70	50	30	70	50	30	50	30	70	50
RCR										
0	118	118	118	115	115	115	111	111	111	111
1	108	103	98	106	101	96	96	93	93	93
2	97	90	82	95	88	81	84	79	79	79
3	90	79	70	86	77	69	73	68	68	68
4	81	69	60	80	68	59	66	58	58	58
5	75	61	53	72	60	53	58	51	51	51
6	69	56	46	68	55	46	53	46	46	46
7	64	51	41	63	50	41	47	40	40	40
8	59	46	38	57	46	36	44	36	36	36
9	56	42	34	55	41	34	40	34	34	34
10	53	39	30	51	39	30	38	30	30	30

2STX SofTrace recessed 2x4

up to 7400 lumens

2x4 SofTrace recessed LED, standard configuration, 4300 nominal delivered lumens

LER - 117

Catalog No. 2STXG43L840-4-D-UNV-DIM
Test No. 40676
S/MH 1.3
Lamp Type LED
Lumens 4240
Input Watts 36

Comparative yearly lighting energy cost per 1000 lumens – **\$1.74** based on 3000 hrs. and \$.08 pwr KWH.

The photometric results were obtained in the Day-Brite laboratory which is NVLAP accredited by the National Institute of Standards and Technology.

Photometric values based on test performed in compliance with LM-79.

Candlepower

Angle	End	45	Cross	Back-45
0	1472	1472	1472	1472
5	1447	1467	1476	1467
15	1393	1417	1429	1417
25	1286	1313	1329	1313
35	1134	1166	1185	1166
45	950	982	1003	982
55	737	771	794	771
65	468	508	551	508
75	247	298	327	298
85	61	100	101	100

Light Distribution

Degrees	Lumens	% Luminaire
0-30	1142	26.9
0-40	1870	44.1
0-60	3313	78.1
0-90	4242	100.0
0-180	4242	100.0

Average Luminance

Zone	End	45°	Cross
45	2086	2157	2202
55	1995	2088	2149
65	1721	1866	2023
75	1481	1788	1962
85	1081	1773	1806

Coefficients of Utilization

EFFECTIVE FLOOR CAVITY REFLECTANCE 20 PER (pfc=0.20)												
pfc =	20			80			70			50		
Ceil												
Wall	70	50	30	70	50	30	70	50	30	70	50	30
RCR												
0	118	118	118	115	115	115	111	111	111	111	111	111
1	108	104	98	106	101	96	96	96	93	93	93	93
2	97	90	82	95	88	81	84	84	79	79	79	79
3	90	79	70	86	77	69	73	73	68	68	68	68
4	81	69	60	80	68	59	66	66	58	58	58	58
5	75	61	53	72	60	53	58	58	52	52	52	52
6	69	56	46	68	55	46	53	53	46	46	46	46
7	65	51	41	63	50	41	48	48	40	40	40	40
8	59	46	38	57	46	38	44	44	36	36	36	36
9	56	42	34	55	41	34	40	40	34	34	34	34
10	53	39	30	51	39	30	38	38	30	30	30	30

2x4 SofTrace recessed LED, high efficacy configuration, 4300 nominal delivered lumens

LER - 138

Catalog No. 2STXG43LH840-4-D-UNV-DIM
Test No. 40661
S/MH 1.3
Lamp Type LED
Lumens 4373
Input Watts 32

Comparative yearly lighting energy cost per 1000 lumens – **\$2.03** based on 3000 hrs. and \$.08 pwr KWH.

The photometric results were obtained in the Day-Brite laboratory which is NVLAP accredited by the National Institute of Standards and Technology.

Photometric values based on test performed in compliance with LM-79.

Candlepower

Angle	End	45	Cross	Back-45
0	1521	1521	1521	1521
5	1496	1516	1526	1516
15	1439	1463	1476	1463
25	1329	1356	1372	1356
35	1172	1204	1222	1204
45	981	1014	1034	1014
55	762	796	818	796
65	483	540	566	540
75	254	307	339	307
85	60	104	105	104

Light Distribution

Degrees	Lumens	% Luminaire
0-30	1180	27.0
0-40	1932	44.2
0-60	3419	78.2
0-90	4373	100.0
0-180	4374	100.0

Average Luminance

Zone	End	45°	Cross
45	2155	2226	2271
55	2062	2155	2213
65	1776	1985	2080
75	1523	1841	2031
85	1074	1851	1876

Coefficients of Utilization

EFFECTIVE FLOOR CAVITY REFLECTANCE 20 PER (pfc=0.20)												
pfc =	20			80			70			50		
Ceil												
Wall	70	50	30	70	50	30	70	50	30	70	50	30
RCR												
0	118	118	118	115	115	115	111	111	111	111	111	111
1	108	104	98	106	101	96	96	96	93	93	93	93
2	97	90	82	95	88	81	84	84	79	79	79	79
3	90	79	70	86	77	69	73	73	68	68	68	68
4	81	69	60	80	68	59	66	66	58	58	58	58
5	75	61	53	72	60	53	58	58	52	52	52	52
6	69	56	46	68	55	46	53	53	46	46	46	46
7	65	51	41	63	50	41	48	48	40	40	40	40
8	59	46	38	57	46	38	44	44	36	36	36	36
9	56	42	34	55	41	34	40	40	34	34	34	34
10	53	39	30	51	39	30	38	38	30	30	30	30



© 2022 Signify Holding. All rights reserved. The information provided herein is subject to change, without notice. Signify does not give any representation or warranty as to the accuracy or completeness of the information included herein and shall not be liable for any action in reliance thereon. The information presented in this document is not intended as any commercial offer and does not form part of any quotation or contract, unless otherwise agreed by Signify.

Signify North America Corporation
 400 Crossing, Blvd
 Bridgewater, NJ 08807
 Telephone 855-486-2216

Signify Canada Ltd.
 281 Hillmount Road,
 Markham, ON, Canada L6C 2S3
 Telephone 800-668-9008

All trademarks are owned by Signify Holding or their respective owners.