



LyteProfile downlights and wall washers provide a comfortable 60° cut-off to both the actual and reflected source. Utilizes a robust frame-in kit, light engine and reflector design that is designed for a wide variety of installation conditions with a plenum depth of 4-1/2".

Project: _____
 Location: _____
 Cat.No: _____
 Type: _____
 Qty: _____
 Notes: _____

Complete unit = Fixture + Light Engine/Trim + Optional Accessories

Frame

example: 3SAS

Series	Installation	Voltage / Options		
3S				
3S Uniframe 3" square frame	N New Construction Non-IC	— Universal 120/277/347V LC Chicago plenum	EM6	Emergency, 6W Self-Test/Self-Diagnostic ¹
	A AirSeal IC (1000lm max)	— Standard Universal 120/277/347V S Shallow Universal 120/277/347V ²		

Light Engine / Trim

example: P3SDL10930MCLZ10US

Series	Style	Lumens	CRI / CCT	Beam
P3S				
P3S LyteProfile 3" square light engine/trim	DL Downlight	05 500lm	927 90CRI / 2700K	M Medium
	LW Lensed Wall Wash ³	07 750lm	930 90CRI / 3000K	W Wide
		10 1000lm	935 90CRI / 3500K	
		15 1500lm ⁴	940 90CRI / 4000K	

Light Engine / Trim (continued)

Reflector	Flange	Dimming	Voltage	Plenum
CL Specular clear CC Comfort clear	— White (matte) B Black (matte) ⁵ A Aluminum Diffuse (painted)	Z10 0-10V 1% dimming	U 120V/277V 3 347V (0-10v only) ⁹	— Standard depth S Shallow for shallow IC frame ²
CD Comfort clear diffuse	— White (matte) P Matching reflector	Z10D2O 0-10V 1% dimming w/ dim-to-off L01 Lutron PEQ0 dimming w/ dim to 0.1% ^{6,9} (not compatible with Shallow (S) plenums)	U 120V/277V (order T347-75VA accessory for 347V)	
WH White (matte) BK Black (matte)	— White (matte) B Black (matte) ⁵	E Electronic low voltage dimming	1 120V	
		RA Integral Interact Pro RF sensor ⁷	U 120V/277V	

Accessories

- SBA** Interact Ready System Bridge Accessory with integral occupancy and daylight sensor (compatible with all 0-10V options, see SBA spec sheet)⁸
- CAEM6** Field installable Bodine BSL6 6W battery pack with self-test/self-diagnostic for use with new construction frames (120-277V)
- CAEM6TSCP** Must be ordered with EM6 frame for remote test switch (see page 2 for details)
- T347-75VA** 347:120V step-down transformer for non-IC (N) frame only (see page 3 for details)

1. Emergency (EM6) frame requires remote mounted test switch. Order CAEM6TSCP mounting plate accessory (not compatible with 347V).
2. Must order shallow IC frame (S), shallow engine / shallow trim (S) for complete shallow assembly. Shallow configurations available in 750lm (07) and 1000lm (10) only with ELV or 0-10V.
3. Lensed wall wash (LW) has a 1000lm (10) limit in Non-IC (N) configurations and 500lm (05) limit in IC (A) configurations (wide beam only).
4. The 1500lm (15) option is not available with standard AirSeal IC frame (3RA-).
5. Consult factory with ETO request for black (B) flange for all styles.
6. Lutron PEQ0 (L01) dimming available only with 500lm (05) and 1000lm (10) lumen options.
7. Linear driver profile. See page 5 for details. Specify only with non-IC (N) frame, not for use with LC or EM6 options.
8. Requires IRT9015 IR remote & Interact Pro App for commissioning.
9. The 500lm (05) option is not available.



P3S LyteProfile 3"

Square downlight

Frame-in-kits

New construction:

Galvanized stamped steel for dry or plaster ceilings. Preinstalled telescoping mounting bars from 13" to 24". For 4' distances, use 1/2" EMT, 1-1/2" x 1/2" U or C channel.

Max ceiling thickness is 2" (51 mm)

Patented install mounting frame:

- Pre-installed mounting bars for fast and tool-less installs into T-grid & hat channel ceilings.
- Close-cut aperture design eliminates possibility of gap between ceiling opening and reflector flange.
- Separate wiring compartment for wiring frame to building allows inspection prior to light engine install.
- Simple plug-and-play connection between frame and light engine from below ceiling.

Dimming

All configurations are FCC Class A unless otherwise specified.

- Advance 0-10V 1% (Z10)
- Lutron PEQO Hi-lume Premier 0.1% EcoSystem
- Electronic low voltage (ELV) - Remodel and AirSeal IC Shallow are FCC Class B

Optical systems

Quality of light: 2 SDCM ensures color consistency from fixture to fixture and over the luminaire's long lifetime.

Construction: Precision formed high grade aluminum reflectors with options for anodized or painted finishes.

Comfort throughout the space: 60° cutoff.

Light Engine

Quick connect power pack allow for easy installation and replacement from below ceiling with no need for additional wiring. This allows for:

- Frame and ceiling installation to be performed while still finalizing details such as lumen packages, CCT and control type.
- Easy replacement of electronics at end of life with minimal wasted material and labor required.
- Ease and upgradability of technology.
- Predicted 70% lumen maintenance to 57,000 hrs.
- Max operating ambient temperature of 30°C.
- 347V light engines are Z10 dimming only and include dedicated 347V driver. For 347V non-Z10 dimming, order T347-75VA field-installed step-down transformer accessory.

Options and Accessories

Field Installed Emergency: Refer to Calculite-LyteProfile-EasyLyte Emergency Battery Pack specification sheet for more details.

CAEM6: Field install EM6 kit with Bodine BSL6 6W battery pack with self-test/self-diagnostic, mounts to new construction frames. Includes remote ceiling plate for test switch.

CAEM6TSCP: Ceiling cover plate for remote mounted EM6 test switch. 1/2" (25mm) hole, 4 3/8" (109mm) x 2 3/4" (69mm) rectangular. Includes two mounting screws.

T347-75VA Field installable: 347:120V 75VA step-down transformer, attaches to knock out on frame junction box, for use with non-IC (N) frame only.

Emergency

Bodine BSL6 6W battery pack with self-test/diagnostic functionality. Factory or field mounted to frame.

- For remote ceiling mounted test switch, order standard light engine (ex: P3SDL10935WCDZ10U). Optional accessory ceiling mounting plate available (CAEM6TSCP) for remote mounted test switch.
- Refer to Calculite-LyteProfile-EasyLyte Emergency Battery Pack specification sheet for more details.

ENERGY STAR® exceptions

- BK finishes
- 347V & Emergency voltage/options
- Lutron configurations

Title 24 exceptions

- BK finishes
- Must be installed in shallow AirSeal IC Frame
- Downlight (DL): 500lm and 1000lm only
- Lensed wall wash (LW): 500lm only

Labels and listings

- cULus listed for wet locations
- ENERGY STAR® certified
- CEC Title 24 JA8 certified
- CCEA (frames with *LC suffix)

Warranty



5 year limited warranty
Visit Signify.com/warranties for more information on Signify's standard 5-year limited warranty on complete luminaire systems.

0-10V electrical tables (50/60Hz Input Freq.)

Light engine	Input Volts	Input Current	LED Drive Current	Input Power	LED Power	THD Factor	Power Factor
						@ Max Load	
P3SDL05_Z10U/3	120V	0.041A	0.12A	4.9W	3.9W	<10%	>0.9
	277V	0.019A	0.12A	5.1W	3.9W	<30%	>0.8
	347V	0.017A	0.12A	5.8W	3.9W	<20%	>0.9
P3SDL07_Z10U/3	120V	0.066A	0.19A	7.9W	6.5W	<10%	>0.9
	277V	0.029A	0.19A	8.0W	6.5W	<20%	>0.8
	347V	0.026A	0.19A	9.2W	6.5W	<20%	>0.9
P3SDL10_Z10U/3	120V	0.078A	0.23A	9.3W	7.7W	<10%	>0.9
	277V	0.034A	0.23A	9.5W	7.7W	<10%	>0.8
	347V	0.031A	0.23A	10.9W	7.7W	<20%	>0.9
P3SDL15_Z10U/3	120V	0.119A	0.35A	14.3W	11.9W	<10%	>0.9
	277V	0.052A	0.35A	14.3W	11.9W	<10%	>0.9
	347V	0.047A	0.35A	16.3W	11.9W	<20%	>0.9
P3SDL07_Z10U_S	120V	0.066A	0.19A	7.9W	6.5W	<10%	>0.9
	277V	0.029A	0.19A	8.0W	6.5W	<20%	>0.8
	347V	0.026A	0.19A	9.2W	6.5W	<20%	>0.9
P3SDL10_Z10U_S	120V	0.078A	0.23A	9.3W	7.7W	<10%	>0.9
	277V	0.034A	0.23A	9.5W	7.7W	<10%	>0.8
	347V	0.031A	0.23A	10.9W	7.7W	<20%	>0.9

ELV electrical tables (50/60Hz Input Freq.)

Light engine	Input Volts	Input Current	LED Drive Current	Input Power	LED Power	THD Factor	Power Factor
						@ Max Load	
P3SDL05_E1	120V	0.052A	0.15A	6.2W	5.1W	<10%	>0.9
P3SDL07_E1	120V	0.067A	0.20A	8.1W	6.8W	<10%	>0.9
P3SDL10_E1	120V	0.083A	0.25A	10.0W	8.5W	<10%	>0.9
P3SDL15_E1	120V	0.115A	0.35A	13.8W	11.9W	<10%	>0.9
P3SDL07_E1_S	120V	0.067A	0.20A	8.1W	6.8W	<10%	>0.9
P3SDL10_E1_S	120V	0.083A	0.25A	10.0W	8.5W	<10%	>0.9

Lutron electrical tables (50/60Hz Input Freq.)

Light engine	Input Volts	Input Current	LED Drive Current	Input Power	LED Power	THD Factor	Power Factor
						@ Max Load	
P3SDL05_LU	120V	0.040A	0.12A	4.8W	3.9W	<25%	>0.9
	277V	0.017A	0.12A	4.8W	3.9W	<20%	>0.5
P3SDL07_LU	120V	0.063A	0.19A	7.5W	6.5W	<20%	>0.9
	277V	0.028A	0.19A	7.7W	6.5W	<15%	>0.6
P3SDL10_LU	120V	0.073A	0.23A	8.8W	7.7W	<15%	>0.9
	277V	0.033A	0.23A	9.1W	7.7W	<15%	>0.6
P3SDL15_LU	120V	0.114A	0.35A	13.7W	11.9W	<10%	>0.9
	277V	0.049A	0.35A	13.7W	11.9W	<15%	>0.7

P3S LyteProfile 3"

Square downlight

interact

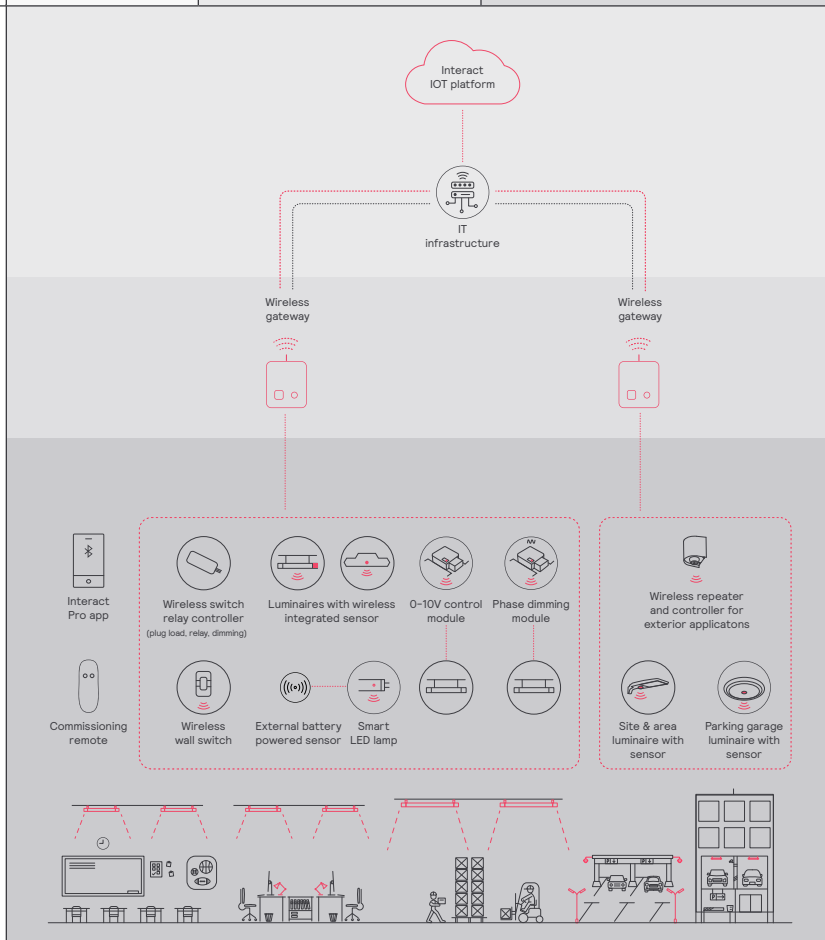
	Gateway Connected		
	Standalone	Option 1	Option 2
Dimming, grouping, and zoning	✓	✓	✓
Bluetooth and ZigBee enabled	✓	✓	✓
Motion sensing and daylight harvesting	✓	✓	✓
Integration with 0-10V and phase dimming fixtures	✓	✓	✓
Code compliance	✓	✓	✓
Granular dimming and dwell time	✓	✓	✓
Correlated color temperature (CCT) tuning by switch	New ✓	✓	✓
Support for sensor-based Tunable White luminaires	New ✓	✓	✓
Energy reporting and monitoring		✓	✓
Scheduling		✓	✓
Demand response		✓	✓
BMS integration (BACnet)			✓
Floor plan visualization			✓
IoT sensors for wellness			✓
IoT Apps for productivity			✓

Currently supported maximum system size

To be able to design the lighting system correctly for the customer, it is important to know the prime characteristics of the system, its possibilities and limitations.

System level	
Total number of gateways	Unlimited
Total number of devices	200 per network
• Luminaires with integrated sensors	150
• Smart TLEDS	150
• Zones + groups	64
Total number of ZGP devices (sensors and switches)	50
• Sensors	30
• Switches	50

Group level	
Recommended number of lights	40 (maximum 150)
Number of ZGP devices	5
Number of scenes	16



P3S LyteProfile 3"

Square downlight

Wireless controls options

Interact

- SWZCS is a connected sensor with integral occupancy and daylight sensing and supports wireless mesh connectivity.
- The sensor works in the standalone mode (similar to SpaceWise) when configured without a gateway or in a cloud connected mode if a compatible gateway is used.
- Interact includes an App, a portal and a broad portfolio of wireless luminaires, lamps and retrofit kits all working on the same system.
- Startup is implemented via Interact Pro App (Android or iPhone) & Bluetooth connectivity. The App provides flexibility to choose between a gateway or non gateway mode for setup.
- Setup with the gateway requires wired internet access to the gateway. It is possible to add a gateway at a later point.
- Prepare project configuration steps remotely and use IRT9015 remote on-site to identify and group devices together.

Compatible with:

- SWS200 & UID8465 wireless scene switch
- Battery powered IP42 presence sensor OCC sensor IA CM WH 10/1
- Battery powered IP42 presence & daylight sensor OCC-DL sensor IA CM IP42 WH
- LCN3110: battery powered IP65 presence sensor, OCC sensor IA CM IP65W
- LCN3120: battery powered IP65 presence & daylight sensor, OCC-DL sensor IA CM IP65 WH
- For more information on Interact visit: interact-lighting.com/interactproscalablesystem

Radio only sensor (RA or RADIO)

- Integral RA or RADIO only sensor simply enables wireless mesh connectivity to the luminaire without any occupancy or daylight sensing.
- Ideal for applications where sensing functionality is managed by other Interact devices and the luminaire only needs to have wireless connectivity.
- Interact includes an App, a portal and a broad portfolio of wireless luminaires, lamps and retrofit kits all working on the same system.
- Startup is implemented via Interact Pro App (Android or iPhone) & Bluetooth connectivity. The App provides flexibility to choose between a gateway or non-gateway mode for setup.
- Setup with the gateway requires wired internet access to the gateway. It is possible to add a gateway at a later point.
- Prepare project configuration steps remotely, identify and group devices together onsite.
- Compatible with SWS200 and UID8465 wireless scene switch, wireless Occ sensor (OCC SENSOR IA CM IP42 WH 10/1) and wireless Day/Occ sensor (OCC MULTI SENSOR IA CM WH 10/1).
- For more information on Interact visit: interact-lighting.com/interactproscalablesystem

Sensor bundle (IAOSB or SB)

- A wireless IoT connected lighting solution for large enterprises that span across multiple floors, buildings and require multiple gateways.
- View all your projects under one dashboard and easily compare insights from multiple projects in one view.
- Compatible with SWS200 wireless scene switch, wireless Occ sensor (OCC SENSOR IA CM IP42 WH 10/1) and wireless Day/Occ sensor (OCC MULTI SENSOR IA CM WH 10/1) and wireless Occupancy or Daylight & Occupancy sensors available. Use Interact software and insights to increase building efficiency, achieve building wide integration and optimize space through occupancy analytics.
- IAOSB or SB option in addition to occupancy and daylights sensing supports advanced IoT capabilities, such as people estimation analysis, desk level temperature & humidity sensing, noise classification, and BLE beacon.
- Requires compatible Gateway and internet connectivity for commissioning.
- For more information, visit: interact-lighting.com/interactproscalablesystem

Emergency Options (ER100)

- **Power Sensing** (factory default) – Recommended UL924 option requires unswitched power sense line, absence of voltage on the normal circuit triggers luminaire to 100% output.
- **Power Interruption Detection** (field option) – Detects AC power interruption >30ms triggers 90 minute emergency mode with luminaire at 100% output.

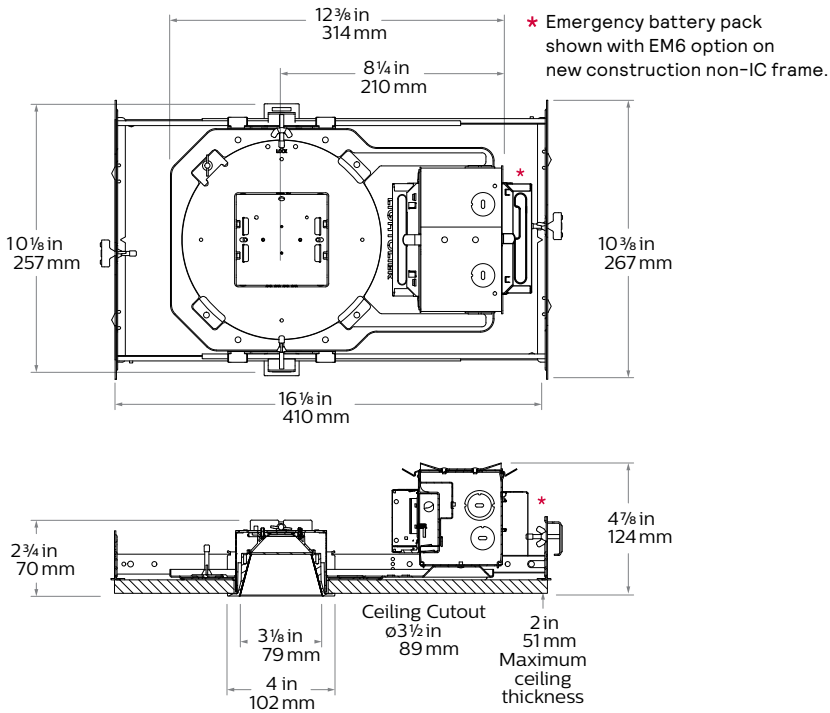
Interact supported sensor option codes across Genlyte product lines

	Evokit	Day-Brite	Ledalite	Lightolier
ZigBee + Bluetooth + Sensing	SWZCS	SWZCS	CS	SBA accessory (external)
ZigBee + Bluetooth	RADIO	RADIO	RA	RA
ZigBee + Bluetooth + Sensing + Environmental data	IAOSB	IAOSB	SB	SB
ZigBee + Highbay + Sensing	-	SWZCSH	-	-

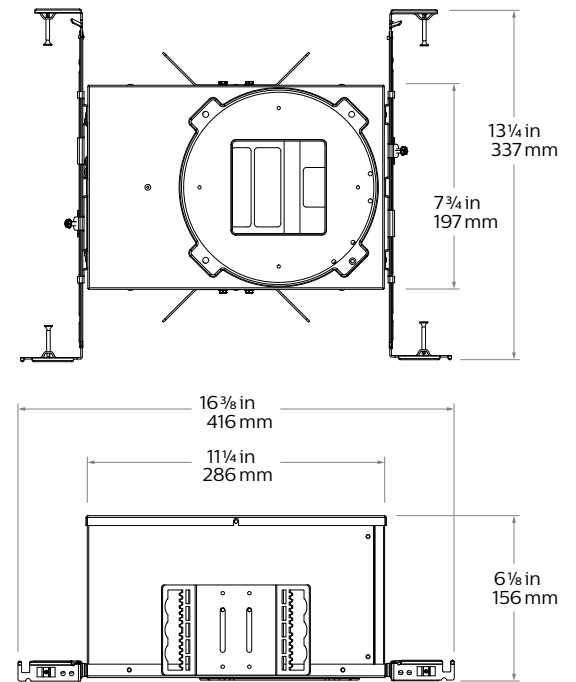
P3S LyteProfile 3"

Square downlight

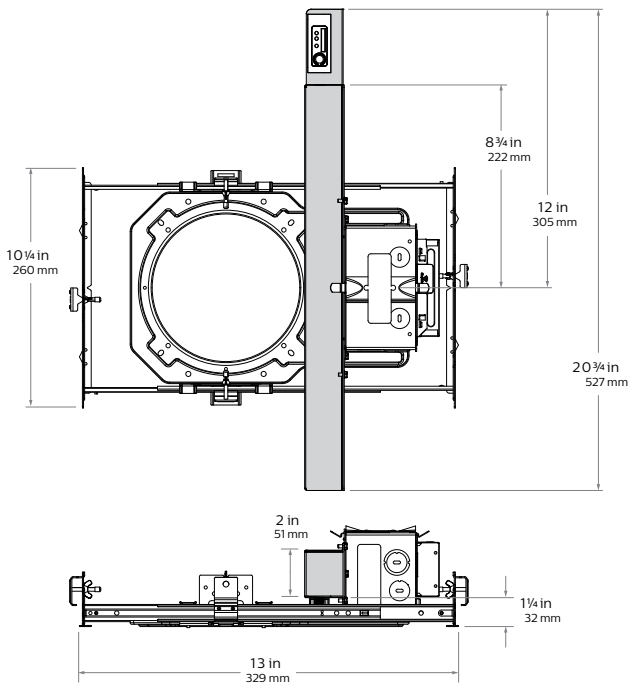
New construction (N)



Standard IC (A) and Chicago plenum (LC)

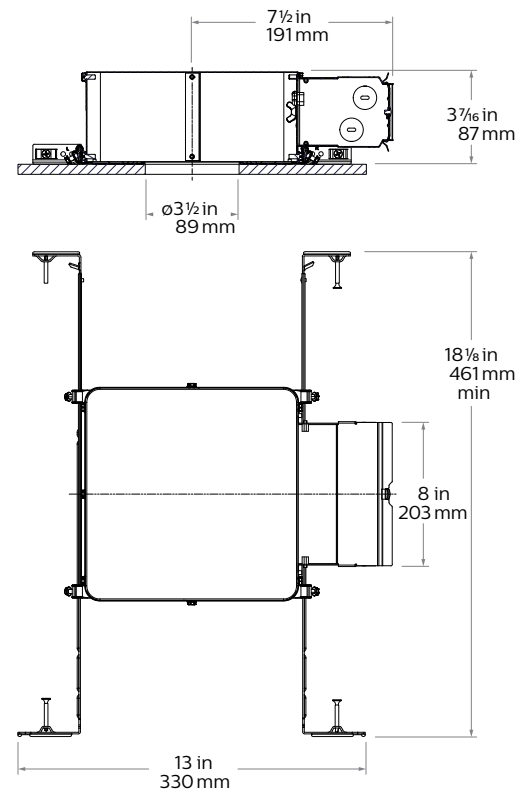


Linear driver (RA)



Requires either top access or 19" plenum space without sensor, and 22" with sensor.

Shallow IC (S)



P3S LyteProfile 3"

Square downlight

Polished Reflectors Shown as round reflectors but represent the finish of LyteProfile square reflectors.



Specular clear (CL): Most specular and most efficient finish, delivers maximum photometric performance but can produce a mirror image effect of the interior space.



White (WH): (matte) Brightest illuminated aperture and provides the smoothest transition to most ceilings when off (white is only available with a white flange).



Comfort clear (CC): Semi-specular finish that softens the light at the source of the reflector and creates a subtle, even luminance from the reflector cone.



Black (BK): (matte) Painted finish that provides the lowest aperture brightness possible and significantly reduces source identification in a ceiling.



Comfort clear diffuse (CD): Slightly diffuse clear finish, that eliminates iridescence and reduces the mirror image effect inherent with specular finishes.

Flanges



White (-): (matte) Provides the smoothest transition to ceilings when off.



Polished (P): (matches aperture) Produces a continuous look throughout the reflector (aperture matching).



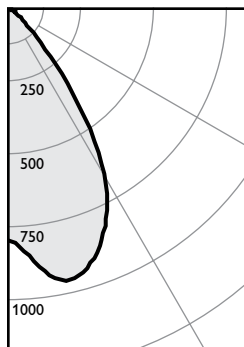
Aluminum (A): Slightly diffuse clear finish, that eliminates iridescence and reduces the mirror image effect inherent with specular finishes.

P3S LyteProfile 3"

Square downlight

Downlight, Medium Beam, 1000lm engine, 106 lm/W at 10.4W

Candela Curve



Frame: **3RN**
Engine / Trim:
P3SDL10935MCLZ10U

Output lumens: 1121 lms
Input watts: 10.6 W
CRI: 90 min
CCT¹: 3500K
Spacing Crit.: 1.2
Beam Angle: 69°

Zonal summary

Zone	Lumens	%Luminaire
0-30	709	63.2%
0-40	991	88.4%
0-60	1119	99.8%
0-90	1121	100.0%

Angle	Mean CP	Lumens
0	794	
5	851	
10	937	84
15	947	
20	889	264
25	795	
30	658	361
35	459	
40	256	282
45	124	
50	58	103
55	26	
60	7	25
65	1	
70	0	2
75	0	
80	0	0
85	0	
90	0	0

Single unit data

Height to lighted plane	Initial center beam foot-candles	Beam diameter (ft)*
5'	32	6.0'
6'	22	7.2'
7'	16	8.4'
8'	12	9.6'
9'	10	10.8

* Beam diameter is where foot-candles drop to 50% of maximum.

Multiple unit data - RCR 2

Spacing on center	Initial center beam foot-candles	Watts per sq. ft.
5'	51.0	0.47
6'	33.0	0.31
7'	24.0	0.22
8'	20.0	0.18
9'	16.0	0.15

38' x 38' x 10' Room, Workplane 2.5' above floor, 80/50/20% Reflectances

Efficacy: **105.8lm/w**
Report#: P3SDL10935MCLZ10U.IES

Adjustment Factors

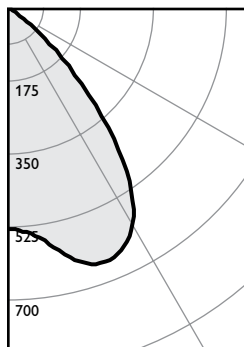
Finish	CCT	Lumens
CL = 101%	90CRI 4000K = 107%	1500lm = 150%
CC = 100%	90CRI 3500K = 100%	1000lm = 100%
CD = 96%	90CRI 3000K = 93%	500lm = 70%
WH = 92%	90CRI 2700K = 87%	
BK = 56%		

Coefficients of utilization

Ceiling	80%				70%				50%				30%				0%
	70	50	30	10	50	10	50	10	50	10	50	10	50	10	50	10	0
RCR	Zonal cavity method - Effective floor reflectance = 20%																
Room Cavity Ratio	0	119	119	119	119	116	116	111	111	106	106	100	100	106	106	100	
1	113	110	108	105	108	104	104	101	101	100	98	93	93	94	89	86	
2	107	102	98	94	100	93	97	91	91	94	89	86	86	88	82	79	
3	101	95	89	85	93	84	90	83	83	88	82	79	79	82	75	73	
4	96	88	82	77	87	77	84	76	76	82	75	73	73	77	69	67	
5	90	82	75	71	81	70	79	70	70	77	69	67	67	72	64	62	
6	85	76	70	65	75	65	74	64	64	72	64	62	62	68	59	57	
7	81	71	64	60	70	60	69	59	59	68	59	57	57	64	55	53	
8	76	66	60	56	66	55	65	55	55	64	55	53	53	60	51	50	
9	72	62	56	52	62	52	61	51	51	60	51	50	50	56	48	46	
10	69	58	52	48	58	48	57	48	48	56	48	46	46	54	44	43	

Downlight, Wide Beam, 1000lm engine, 100 lm/W at 10.4W

Candela Curve



Frame: **3RN**
Engine / Trim:
P3SDL10935WCLZ10U

Output lumens: 1039 lms
Input watts: 10.6 W
CRI: 90 min
CCT¹: 3500K
Spacing Crit.: 1.44
Beam Angle: 79°

Zonal summary

Zone	Lumens	%Luminaire
0-30	522	49.3%
0-40	833	78.7%
0-60	1057	99.8%
0-90	1059	100.0%

Angle	Mean CP	Lumens
0	529	
5	539	
10	573	53
15	623	
20	649	177
25	639	
30	596	292
35	507	
40	373	311
45	228	
50	115	178
55	46	
60	11	46
65	1	
70	0	3
75	0	
80	0	0
85	0	
90	0	0

Single unit data

Height to lighted plane	Initial center beam foot-candles	Beam diameter (ft)*
5'	21	7.2'
6'	15	8.6'
7'	11	10.1'
8'	8	11.5'
9'	7	13.0

* Beam diameter is where foot-candles drop to 50% of maximum.

Multiple unit data - RCR 2

Spacing on center	Initial center beam foot-candles	Watts per sq. ft.
5'	47.0	0.47
6'	31.0	0.31
7'	22.0	0.22
8'	18.0	0.18
9'	15.0	0.15

38' x 38' x 10' Room, Workplane 2.5' above floor, 80/50/20% Reflectances

Efficacy: **99.9lm/w**
Report#: P3SDL10935WCLZ10U.IES

Adjustment Factors

Finish	CCT	Lumens
CL = 101%	90CRI 4000K = 107%	1500lm = 150%
CC = 100%	90CRI 3500K = 100%	1000lm = 100%
CD = 96%	90CRI 3000K = 93%	500lm = 70%
WH = 92%	90CRI 2700K = 87%	
BK = 56%		

Coefficients of utilization

Ceiling	80%				70%				50%				30%				0%
	70	50	30	10	50	10	50	10	50	10	50	10	50	10	50	10	0
RCR	Zonal cavity method - Effective floor reflectance = 20%																
Room Cavity Ratio	0	119	119	119	119	116	116	111	111	106	106	100	100	106	106	100	
1	113	109	107	104	107	102	103	99	99	99	96	92	92	92	87	83	
2	106	100	96	92	99	91	95	89	89	92	87	83	83	88	82	75	
3	99	92	86	81	90	81	88	79	79	85	78	75	75	82	75	73	
4	93	84	78	73	83	72	81	71	71	79	71	68	68	74	64	62	
5	87	77	70	65	76	65	74	64	64	73	64	62	62	68	59	57	
6	82	71	64	59	70	59	69	58	58	67	58	56	56	64	55	53	
7	76	66	59	54	65	53	64	53	53	62	53	51	51	60	51	50	
8	72	61	54	49	60	49	59	49	49	58	48	47	47	56	48	46	
9	68	56	49	45	56	45	55	45	45	54	44	43	43	52	44	43	
10	64	52	46	41	52	41	51	41	41	50	41	40	40	48	40	39	

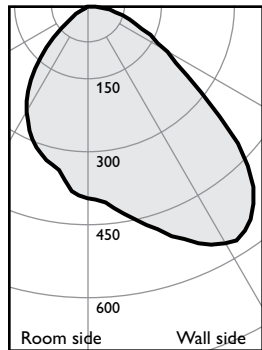
1. Correlated Color Temperature within specs as defined in ANSI_NEMA_ANSLG C78.377-2008: Specifications for the Chromaticity of Solid State Lighting Products.
2. Tested using absolute photometry as specified in LM79: IESNA Approved Method for the Electrical and Photometric Measurements of Solid-State Lighting Products.

P3S LyteProfile 3"

Square downlight

Wall wash, Wide Beam, 1000lm engine, 90 lm/W at 10.3W

Candela Curve



Frame: 3SN
Engine / Trim:
P3SLW10935WCCZ10U

Output lumens: 926 lms
Input watts: 10.3 W
CRI: 90 min
CCT: 3500K

Efficacy: 90.0 lm/w
Report#: F41040

Multiple unit data

Footcandles on wall

Distance from ceiling in feet	2' from wall		
	3' on ctr.		
1	29	26	29
2	46	42	46
3	37	36	37
4	24	24	24
5	15	15	15
6	10	11	10
7	7	8	7
8	6	6	6
9	4	4	4
10	3	4	3
12	3	3	3
14	2	2	2

Multiple unit data

Footcandles on wall

Distance from ceiling in feet	2' from wall		
	4' on ctr.		
1	25	16	25
2	38	26	38
3	30	25	30
4	19	18	19
5	12	12	12
6	8	9	8
7	6	6	6
8	5	5	5
9	4	4	4
10	3	3	3
12	3	3	3
14	2	2	2

Multiple unit data

Footcandles on wall

Distance from ceiling in feet	2' from wall		
	5' on ctr.		
1	26	9	26
2	38	16	38
3	28	17	28
4	16	13	16
5	10	10	10
6	7	7	7
7	5	5	5
8	4	4	4
9	3	3	3
10	3	3	3
12	2	2	2
14	2	2	2

Adjustment factors

Finish	CCT	Lumens
CL = 109%	90CRI 4000K = 107%	1500lm = 150%
CD = 109%	90CRI 3500K = 100%	1000lm = 100%
WH = 109%	90CRI 3000K = 93%	750lm = 75%
CC = 100%	90CRI 2700K = 87%	500lm = 70%
BK = 89%		

1. Correlated Color Temperature within specs as defined in ANSI_NEMA_ANSI C78.377-2008: Specifications for the Chromaticity of Solid State Lighting Products.
2. Tested using absolute photometry as specified in LM79: IESNA Approved Method for the Electrical and Photometric Measurements of Solid-State Lighting Products.

