

Day-Brite



by Signify

Linear

FluxStream sealed strip

4' and 8'
Up to 12,000



Control options available

Day-Brite / CFI FluxStream LED sealed strip is a high performing luminaire delivering smooth diffuse light ideal for light industrial, commercial and residential applications with unparalleled energy efficiency.

Project: _____
 Location: _____
 Cat.No: _____
 Type: _____
 Lumens: _____ Qty: _____
 Notes: _____

Ordering guide

Example: FSX440L840-UNV

| Series | Length (nominal) | Lumens ¹ (nominal) | Color temp. (K) | Voltage | Driver | Options |
|-----------------------------|----------------------|--|--|--|--|---|
| FSX | <input type="text"/> | <input type="text"/> | <input type="text"/> - <input type="text"/> | <input type="text"/> - <input type="text"/> | <input type="text"/> - <input type="text"/> | <input type="text"/> |
| FSX FluxStream sealed strip | 4 4' length | 40L 4000 lumens 60L 6000 lumens | 830 80 CRI, 3000K 835 80 CRI, 3500K 840 80 CRI, 4000K 850 80 CRI, 5000K | UNV Universal voltage 120-277V 120 120V 277 277V 347 347V | blank DIM³ Non-dimming 0-10V 1% dimming SDIM³ Step dimming to 40% input power | BSL6LST^{2,3} Factory wired Philips Bodine integral emergency pack. Nominal 700lm SWZCSH⁴ Interact Pro scalable high bay sensor with integral daylight & occupancy sensing, advanced grouping with dwell time MD360W⁵ 120-277V motion detector, factory installed on end cap (ON/OFF) MD360WD⁵ 120-277V motion detector, factory installed on end cap (ON/DIM) IP65 IP65 rated protection from water and dust WCW6/6⁶ Factory wired 6' 18/6 white cord for use with 0-10V DIM option plus BSL6LST WCW6/5⁶ Factory wired 6' 18/5 white cord for use with 0-10V DIM option WCW6/4⁶ Factory wired 6' 16/4 white cord for use with BSL6LST or SDIM options |
| | 8' 8' length | 80L 8000 lumens 120L 12000 lumens Other lumen packages may be ordered in increments of 1000lm up to 6000 lumens in 4' length or up to 12000 lumens in 8' length. | | | | Factory wired 6' 16/3 white cord is standard |

- Nominal delivered lumens at 25°C ambient.
- BSL6LST on 8' models illuminates 4' section in emergency mode.
- 3 wire cord is standard. Order proper cord option for dimming or emergency.
- High bay motion detector. Motion sensing zone is extremely limited if used below 15' mounting height.
- Not available with SWZCSH option.
- 6' is standard cord length. For optional 10', 15', or 20' cord length, replace the "6" in the option code with desired length.

Accessories (order separately, see last page for details)

- **FSXWG4** - 4' wire guard (order two for 8' models)
- **FSTH** - Sliding hanger bracket (set of two)
- **DACH48** - Adjustable cable hanger kit (order two per fixture)

General notes

Many luminaire components, such as reflectors, refractors, lenses, sockets, lampholders, and LEDs are made from various types of plastics which can be adversely affected by airborne contaminants. If sulfur based chemicals, petroleum based products, cleaning solutions, or other contaminants are expected in the intended area of use, consult factory for compatibility.



interact
ready.

FSX FluxStream LED sealed strip

4' and 8', up to 12,000 lumens

Features

- Compact design for installation in tight spaces.
- Each unit comes standard with a 6' 16/3 wired white cord.
- Sliding hanger bracket set included.
- 4' and 8' lengths available to accommodate many field applications.
- Up to 100,000 hour predicted L70 LED lumen maintenance provides long service life to reduce maintenance costs.
- Can be surface mounted on ceilings or walls, or suspended via chain, or cables with the sliding hanger brackets.
- Ideal for cold applications (-20°C).
- 0-10v dimming driver as standard. Step dimming (100/40%) is optional. Note that special cords are required to utilize dimming or step dimming.
- Optional wet location motion detector factory installed on end cap.
- Luminaire housing tested to IK08 impact standards.
- 5 year manufacturer's limited warranty. Visit signify.com/warranties for complete warranty information.

Construction/Finish

- Continuous white polycarbonate extruded housing.
- Frosted polycarbonate diffuser provides wide light distribution and superior glare control.
- White plastic end caps.

Electrical

- Standard luminaire is non-dimming.
- Dimming to 1% on 0-10V controls optional available. Step dimming (SDIM) option available (100/40%).
- LED boards and drivers are RoHS (Restriction of Hazardous Substances) compliant. Total system life rated at 50,000 hours. Predicted L70 lifetime based on LED manufacturer's supplied LM-80 data and in-situ laboratory testing.

Labels

- cETLus listed to meet UL1598 Standards suitable for use in wet locations.

Interact Pro scalable sensor for Foundation, Advanced & Enterprise tiers (SWZCSH and an evolution of SpaceWise)

- SWZCSH is a connected sensor with integral occupancy and daylight sensing and supports wireless mesh connectivity.
- The sensor works in the Foundation mode (similar to SpaceWise) when configured without a gateway or in an Interact Pro Advanced or Enterprise mode if a compatible gateway is used.
- Interact Pro includes an App, a portal and a broad portfolio of wireless luminaires, lamps and retrofit kits all working on the same system.
- Startup is implemented via Interact Pro App (Android or iPhone) & BlueTooth connectivity. The App provides flexibility to choose between a gateway or non gateway mode for setup.
- Setup with the gateway requires wired internet access to the gateway. It is possible to add a gateway at a later point.
- Prepare project configuration steps remotely and use IRT9015 remote

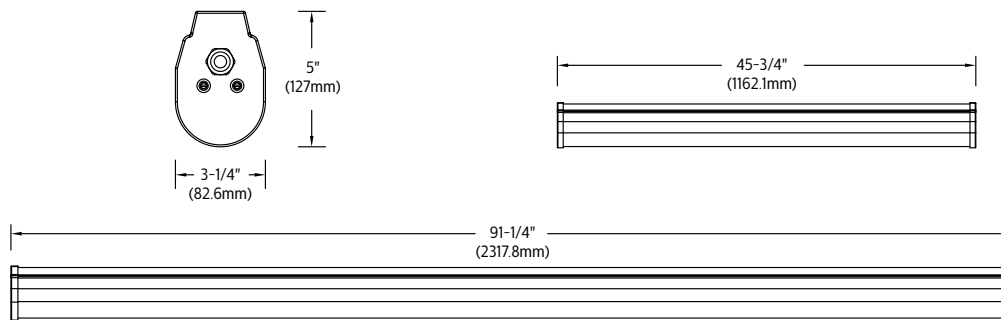
onsite to identify and group devices together.

- Compatible with:
 - UID8451/10 wireless dimmer switch
 - SWS200 wireless scene switch
 - Battery powered IP42 presence sensor OCC sensor IA CM WH 10/1
 - Battery powered IP42 presence & daylight sensor OCC-DL sensor IA CM IP42 WH
 - LCN3110/05 battery powered IP65 presence sensor OCC sensor IA CM IP65 WH
 - LCN3120/05 battery powered IP65 presence & daylight sensor OCC-DL sensor IA CM IP65 WH
- For more information on Interact Pro visit: www.interact-lighting.com/interactproscalablesystem

FSX FluxStream LED sealed strip

4' and 8', up to 12,000 lumens

Dimensions



Ambient Temperature Data

| Configuration | Ambient |
|----------------|---------------|
| FSX440L | -20°C to 40°C |
| FSX460L | -20°C to 35°C |
| FSX880L | -20°C to 40°C |
| FSX8120L | -20°C to 35°C |
| BSL6LST option | Minimum 0°C |

FluxStream LED sealed strip, 4', 6000 nominal delivered lumens

LER - 116

| | |
|--------------------|--------------------|
| Catalog No. | FSX460L840-UNV-DIM |
| Test No. | 38882 |
| S/MH | 1.3 |
| Lamp Type | LED |
| Lumens/Lamp | 6025 |
| Input Watts | 52 |

Comparative yearly lighting energy cost per 1000 lumens – **\$2.07** based on 3000 hrs. and \$.08 pwr KWH.

The photometric results were obtained in the Day-Brite laboratory which is NVLAP accredited by the National Institute of Standards and Technology.

Photometric values based on test performed in compliance with LM-79.

Candlepower

| Angle | End | 45 | Cross | Back-45 |
|-------|------|------|-------|---------|
| 0 | 1518 | 1546 | 1555 | 1546 |
| 5 | 1512 | 1541 | 1551 | 1541 |
| 15 | 1460 | 1497 | 1514 | 1497 |
| 25 | 1356 | 1405 | 1436 | 1405 |
| 35 | 1202 | 1277 | 1325 | 1277 |
| 45 | 1010 | 1117 | 1192 | 1117 |
| 55 | 784 | 936 | 1046 | 936 |
| 65 | 500 | 753 | 892 | 753 |
| 75 | 258 | 577 | 738 | 577 |
| 85 | 53 | 392 | 589 | 392 |
| 95 | 6 | 269 | 419 | 269 |
| 105 | 6 | 174 | 302 | 174 |
| 115 | 6 | 106 | 202 | 106 |
| 125 | 6 | 63 | 126 | 63 |
| 135 | 7 | 36 | 73 | 36 |
| 145 | 7 | 18 | 38 | 18 |
| 155 | 7 | 11 | 15 | 11 |
| 165 | 7 | 8 | 8 | 8 |
| 175 | 7 | 7 | 7 | 7 |

Light Distribution

| Degrees | Lumens | % Luminaire |
|---------|--------|-------------|
| 0-30 | 1210 | 20.1 |
| 0-40 | 2001 | 33.2 |
| 0-60 | 3674 | 61.0 |
| 0-90 | 5347 | 88.7 |
| 0-180 | 6025 | 100.0 |

Average Luminance

| Angle | End | 45° | Cross |
|-------|-------|-------|-------|
| 45 | 20106 | 15613 | 14994 |
| 55 | 18992 | 14191 | 13912 |
| 65 | 16107 | 12897 | 13006 |
| 75 | 12966 | 11774 | 12332 |
| 85 | 6492 | 10282 | 11925 |

Coefficients of Utilization

EFFECTIVE FLOOR CAVITY REFLECTANCE 20 PER (pfc=0.20)

| pcc | 80 | | | 70 | | | 50 | |
|-----|-----|-----|-----|-----|-----|-----|-----|-----|
| | 70 | 50 | 30 | 70 | 50 | 30 | 50 | 30 |
| pw | | | | | | | | |
| RCR | | | | | | | | |
| 0 | 116 | 116 | 116 | 112 | 112 | 112 | 105 | 105 |
| 1 | 104 | 98 | 93 | 100 | 94 | 90 | 88 | 84 |
| 2 | 93 | 84 | 76 | 89 | 81 | 74 | 76 | 70 |
| 3 | 85 | 73 | 64 | 81 | 71 | 62 | 66 | 59 |
| 4 | 77 | 64 | 55 | 74 | 62 | 53 | 58 | 51 |
| 5 | 71 | 57 | 48 | 68 | 55 | 46 | 52 | 44 |
| 6 | 65 | 51 | 42 | 62 | 50 | 41 | 47 | 39 |
| 7 | 60 | 46 | 37 | 58 | 45 | 36 | 42 | 35 |
| 8 | 56 | 42 | 33 | 54 | 41 | 33 | 39 | 31 |
| 9 | 52 | 39 | 30 | 50 | 37 | 30 | 35 | 28 |
| 10 | 49 | 35 | 27 | 47 | 35 | 27 | 33 | 26 |

FSX FluxStream LED sealed strip

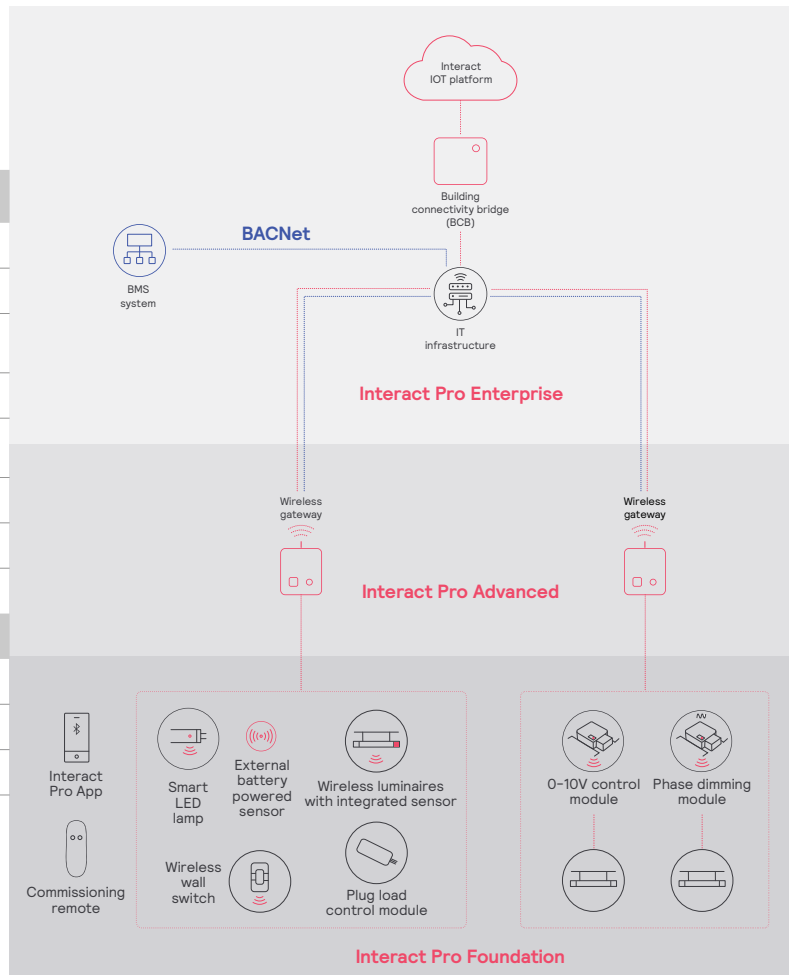
4' and 8', up to 12,000 lumens

| Interact Pro scalable system | | | |
|--|------------|----------|------------|
| | Foundation | Advanced | Enterprise |
| <u>Dimming, grouping, and zoning</u> | ✓ | ✓ | ✓ |
| <u>Bluetooth and ZigBee enabled</u> | ✓ | ✓ | ✓ |
| <u>Motion sensing and daylight harvesting</u> | ✓ | ✓ | ✓ |
| <u>Integration with 0-10V and phase dimming fixtures</u> | ✓ | ✓ | ✓ |
| <u>Code compliance</u> | ✓ | ✓ | ✓ |
| <u>Granular dimming and dwell time</u> | ✓ | ✓ | ✓ |
| <u>Energy reporting and monitoring</u> | | ✓ | ✓ |
| <u>Scheduling</u> | | ✓ | ✓ |
| <u>Demand response</u> | | ✓ | ✓ |
| <u>BMS integration (BACnet)</u> | | | ✓ |
| <u>Floor plan visualization</u> | | | ✓ |
| <u>IoT sensors for wellness</u> | | | ✓ |
| <u>IoT Apps for productivity</u> | | | ✓ |

Currently supported maximum system size

To be able to design the lighting system correctly for the customer, it is important to know the prime characteristics of the system, its possibilities and limitations.

| System level | |
|--|---------------------|
| Total number of gateways | Unlimited |
| Total number of devices | 200 per network |
| • luminaires with integrated sensors | 150 |
| • smart TLEDS | 150 |
| Total number of ZGP devices (sensors and switches) | 50 |
| • sensors | 30 |
| • switches | 50 |
| • zones and groups | 64 |
| Group level | |
| Recommended number of lights | 40 (recommended 25) |
| Number of ZGP devices | 5 |
| Number of scenes | 16 |



FSX FluxStream LED sealed strip

4' and 8', up to 12,000 lumens

FluxStream LED sealed strip, 4', 4000 nominal delivered lumens

LER - 122

| | | | | | | | | | | | | | |
|--------------------|--------------------|--------------------|------------|-----------|--------------|----------------|---------------------------|---------------|--------------------|--------------------------|------------|------------|--------------|
| Catalog No. | FSX440L840-UNV-DIM | Candlepower | | | | | Light Distribution | | | Average Luminance | | | |
| Test No. | 38883 | Angle | End | 45 | Cross | Back-45 | Degrees | Lumens | % Luminaire | Angle | End | 45' | Cross |
| S/MH | 1.3 | 0 | 1039 | 1039 | 1039 | 1039 | 0-30 | 814 | 20.6 | 45 | 12692 | 10010 | 9728 |
| Lamp Type | LED | 5 | 1017 | 1036 | 1044 | 1036 | 0-40 | 1346 | 34.0 | 55 | 11149 | 9111 | 9073 |
| Lumens/Lamp | 3955 | 15 | 979 | 1004 | 1017 | 1004 | 0-60 | 2458 | 62.1 | 65 | 9964 | 7762 | 8544 |
| Input Watts | 32 | 25 | 907 | 939 | 963 | 939 | 0-90 | 3530 | 89.3 | 75 | 7669 | 7099 | 7672 |
| | | 35 | 803 | 852 | 888 | 852 | 0-180 | 3955 | 100.0 | 85 | 2984 | 6682 | 7541 |
| | | 45 | 671 | 742 | 798 | 742 | | | | | | | |
| | | 55 | 484 | 621 | 701 | 621 | | | | | | | |
| | | 65 | 326 | 466 | 599 | 466 | | | | | | | |
| | | 75 | 161 | 355 | 467 | 355 | | | | | | | |
| | | 85 | 26 | 258 | 375 | 258 | | | | | | | |
| | | 95 | 0 | 177 | 288 | 177 | | | | | | | |
| | | 105 | 0 | 114 | 210 | 114 | | | | | | | |
| | | 115 | 0 | 70 | 144 | 70 | | | | | | | |
| | | 125 | 0 | 38 | 91 | 38 | | | | | | | |
| | | 135 | 0 | 18 | 52 | 18 | | | | | | | |
| | | 145 | 0 | 6 | 26 | 6 | | | | | | | |
| | | 155 | 0 | 2 | 8 | 2 | | | | | | | |
| | | 165 | 0 | 1 | 2 | 1 | | | | | | | |
| | | 175 | 0 | 0 | 0 | 0 | | | | | | | |

| | | | | | | | | | |
|---|--|--|--|--|--|--|--|--|--|
| Comparative yearly lighting energy cost per 1000 lumens - \$1.97 based on 3000 hrs. and \$.08 pwr KWH. | | | | | | | | | |
| The photometric results were obtained in the Day-Brite laboratory which is NVLAP accredited by the National Institute of Standards and Technology. | | | | | | | | | |
| Photometric values based on test performed in compliance with LM-79. | | | | | | | | | |

| | | | | | | | | | |
|---|-----------|-----|-----|-----------|-----|-----|-----------|-----|--|
| Coefficients of Utilization | | | | | | | | | |
| EFFECTIVE FLOOR CAVITY REFLECTANCE 20 PER (pfc=0.20) | | | | | | | | | |
| pcc | 80 | | | 70 | | | 50 | | |
| pwr | 70 | 50 | 30 | 70 | 50 | 30 | 50 | 30 | |
| RCR | | | | | | | | | |
| 0 | 116 | 116 | 116 | 113 | 113 | 113 | 105 | 105 | |
| 1 | 104 | 98 | 93 | 100 | 95 | 90 | 88 | 85 | |
| 2 | 94 | 84 | 77 | 90 | 82 | 75 | 76 | 70 | |
| 3 | 85 | 73 | 65 | 81 | 71 | 63 | 66 | 60 | |
| 4 | 77 | 65 | 55 | 74 | 63 | 54 | 59 | 51 | |
| 5 | 71 | 58 | 48 | 68 | 56 | 47 | 52 | 45 | |
| 6 | 65 | 52 | 42 | 63 | 50 | 41 | 47 | 40 | |
| 7 | 61 | 47 | 38 | 58 | 45 | 37 | 43 | 35 | |
| 8 | 56 | 42 | 34 | 54 | 41 | 33 | 39 | 32 | |
| 9 | 53 | 39 | 30 | 51 | 38 | 30 | 36 | 29 | |
| 10 | 49 | 36 | 28 | 47 | 35 | 27 | 33 | 26 | |

Accessories/Options



| Catalog Code | Description |
|--------------|---|
| FSTH | Sliding hanger bracket (set of two) - one set included with fixture |
| DACH48 | Adjustable cable hanger kit (order two per fixture) |
| BSL6LST | Factory wired Philips Bodine integral emergency pack (nominal 700lm) |
| MD360W | 120-277V motion detector, factory installed on end cap (ON/OFF) |
| MD360WD | 120-277V motion detector, factory installed on end cap (ON/DIM) |
| WCW6/6 | Factory wired 6' 18/6 white cord for use with 0-10V DIM option plus BSL6LST |
| WCW6/5 | Factory wired 6' 16/5 white cord for use with 0-10V dimming |
| WCW6/4 | Factory wired 6' 16/4 white cord for use with BSL6LST or SDIM |

The information presented in this document is not intended as any commercial offer and does not form part of any quotation or contract.

