

LyteProfile downlights and wall washers provide a perfect balance of functionality with glare control. The robust and versatile UniFrame frame-in kit makes changes and updates easy to manage and install. High optical efficiency reinforced with Accurender technology provides an optimum balance of performance and quality of light. Ideal for use in a variety of applications including open office, institutional, healthcare, and retail.

Standard luminaire: Complete luminaire = Frame + Engine + Trim + Accessories (optional)

Project: _____
 Location: _____
 Cat.No: _____
 Type: _____
 Qty: _____
 Notes: _____

Frame

Standard example: 6SN

Series	Aperture	Installation	Options
6	S		
6 Uniframe 6" Non-IC	S Square	N New construction (Non-IC)	— Universal 120/277/347V EM6 Emergency, 6W Self-Test/Self-Diagnostic (not available for BAC) ¹
		R Remodeler (Non-IC)	— Universal 120/277/347V
		A AirSeal (IC)	— Universal 120/277/347V
			LC Chicago Plenum ² BAC Meets the requirements of the Buy American Act of 1933 (BAA)**

Engine / Trim

Standard example: P6SDL20935CDZ10U

Series	Style	Lumen	CRI/CCT	Beam	Reflector	Flange	Dimming / Options	Voltage	Options
P6S									
P6S LyteProfile 6" square downlight	DL Downlight	10 1000lm	927 90CRI/2700K	M Medium W Wide ³	CL Specular clear	— White (matte)	Z10 0-10V 1% Z10D20 0-10V 1% (dim to Off) (up to 3500lm)	U 120/277V 3 347V (Z10 only) (up to 3000lm)	— None R Retrofit ⁸ (not compatible with IEM6) F Flex install (consult factory for ETO) ⁹ IEM6 Trim mounted EM test switch (for DL style only)
		15 1500lm	930 90CRI/3000K		CC Comfort clear	B Black (matte) ⁶			
	LW Lensed Wall Wash ³	20 2000lm	935 90CRI/3500K		CD Comfort clear diffuse	A Aluminum (painted)			
		25 2500lm ⁴	940 90CRI/4000K						
		30 3000lm ⁴			WH White (matte)	— White (matte)			
		35 3500lm ⁴			BK Black (matte)	B Black (matte) ⁶			
		40 4000lm ⁵							
		45 4500lm ⁵							
		50 5000lm ⁵							

Accessories (Not currently BAA-compliant - learn more on page 2)

SBA	Interact Ready System Bridge Accessory with integral occupancy and daylight sensor (compatible with all 0-10V options, see SBA spec sheet) ¹⁰
CAEM6	Field installable Bodine BSL6 6W battery pack with self-test/self-diagnostic for use with new construction frames, 120-277V
6RNSR	6" round/square non-IC frame with Flex (F) light engine (provides mechanical support for rough-in construction only, no junction box)
LCEM6	Field installable Bodine BSL06 emergency battery pack (for Flex (F) light engine only, includes switch mounting plate)
T347-75VA	347:120V step-down transformer for non-IC (N) frame only (see page 2 for details)

- Emergency (EM6) frame is compatible with reflector mounted test switch when light engine is ordered with IEM6 (not compatible w/347V or PoE configurations).
- Chicago Plenum (LC) is not available for Buy American Compliant (BAC) configs.
- Lensed wall wash (LW) style only available with Wide (W) beam (2500lm max).
- Not available with AirSeal (A) frame.
- Not available with AirSeal (A) frame. Available with CL, CC, and CD reflector finishes only.
- Consult factory with ETO request for black (B) flange for all styles.
- Linear driver profile. See dimensional data following. Specify only with non-IC (N) frame, not for use with LC or EM6 options.
- Retrofits select legacy Lightolier luminaires. See pages 2 and 6 for details.
- Flex install requires light engine & trim only (up to 4000lm only). Accessory frames available. Not compatible with standard frames and associated options. Not available with Interact (RA) dimming and IEM6 trim.
- Requires IRT9015 IR remote and Interact Pro App for commissioning (requires above ceiling access).

P6S LyteProfile 6"

Square Downlight & Lensed Wall Wash

Features

Optics

- Provides a 60° cutoff (physical and reflected)
- Available in wide (85°) and medium (75°) beam options.
- Spun and anodized reflectors available in specular (clear), semi-specular (comfort clear and diffuse finishes. Also available in white and black painted finishes.

Quality of light

- Consult factory for RAL finishes
- Color consistency: 2 SDCM
- 80, 90 CRI minimum (Accurender)

Construction (New Construction)

- Galvanized stamped steel for dry / plaster ceilings.
- Pre-installed telescoping mounting bars (13"-24")
- Frame accommodates C- channel, black iron, and 3/4" EMT for mounting distances greater than 24" between joists.
- Manufactured from 20 gage galvanized steel construction with rolled edge aperture to guide cutting tools for perfect hole cutting.

Max ceiling thickness is 2" (51 mm).

Patented install Mounting frame

- Pre-installed mounting bars allow for fast and tool-less install into T-grid & hat channel ceilings
- Close-cut aperture design eliminates an undesired gap between ceiling material and reflector.
- Simple plug-and-play connection between frame and light engine from below the ceiling allows for:
 - Easy upgrades
 - Technology changes
 - Repairs and troubleshooting

Retrofit

- Easily updates legacy LyteProfile LED downlights to the latest technology. Includes light engine, trim, and driver mounted on cover plate that mounts to previous generations of LyteProfile LED luminaires. Order with R option code at end of light engine/trim catalog number.

Dimming

- Advance 0-10v 1% (Z10) logarithmic curve is standard. Specify D20 for factory-set dim-to-off function (consult factory for linear dimming curve).
- Lutron LDE1 (L1) EcoSystem 1%
- Electronic low voltage (E) offers forward or reverse phase dimming

Light engine

Quick connect power pack allow for easy installation and replacement from below ceiling with no need for additional wiring. This allows for:

- Frame and ceiling installation to be performed while still finalizing details such as lumen packages, CCT and control type.
- Easy replacement of electronics at end of life with minimal wasted material and labor required.
- Ease and upgradability of technology.
- Lumen Maintenance: L80 at 60,000 hours.
- 347V light engines are Z10 dimming only and include dedicated 347V driver. For 347V non-Z10 dimming, order T347-75VA field-installed step-down transformer accessory.

Emergency

Bodine BSL6 6W battery pack with self-test/diagnostic functionality. Factory or field mounted to frame.

- For trim with integral emergency test switch, order light engine with IEM6 option (ex: P6SDL20935WCDZ10UIEM6). DL style only.
- For remote ceiling mounted test switch, order standard light engine (ex: P6SDL20935WCDZ10U). Optional accessory ceiling mounting plate available (CAEM6TSCP) for remote mounted test switch.
- Refer to Calculite-LyteProfile-EasyLyte Emergency Battery Pack specification sheet for more details.

Options and Accessories

Sloped ceilings: Compatible with sloped ceiling adapters (see SCA spec sheet).

Field Installed Emergency: Refer to Calculite-LyteProfile-EasyLyte Emergency Battery Pack specification sheet for more details.

- **CAEM6:** Field install EM6 kit with Bodine BSL6 6W battery pack with self-test/self-diagnostic, mounts to new construction frames. Includes remote ceiling plate for test switch. To mount test switch to trim for new construction frame, order light engine with IEM6 option code (e.g. P6SDL20935WCDZ10UIEM6).

CAEM6TSCP: Ceiling cover plate for remote mounted EM6 test switch. 1/2" (25mm) hole, 4 3/8" (109mm) x 2 3/4" (69mm) rectangular. Includes two mounting screws.

T347-75VA: Field installable 347:120V 75VA step-down transformer, attaches to knock out on frame junction box, for use with non-IC (N) or remodel (R) frames.

ENERGY STAR® exceptions

- 500lm configurations
- Black finishes

Labels and Listings

- cULus listed for wet locations
- CCEA (frames with *LC suffix)
- ENERGY STAR® certified
- RoHS certified

Warranty



5 year limited warranty
Visit [Signify.com/warranties](https://www.signify.com/warranties) for more information on Signify's standard 5-year limited warranty on complete luminaire systems.

P6S LyteProfile 6"

Square Downlight & Lensed Wall Wash

interact

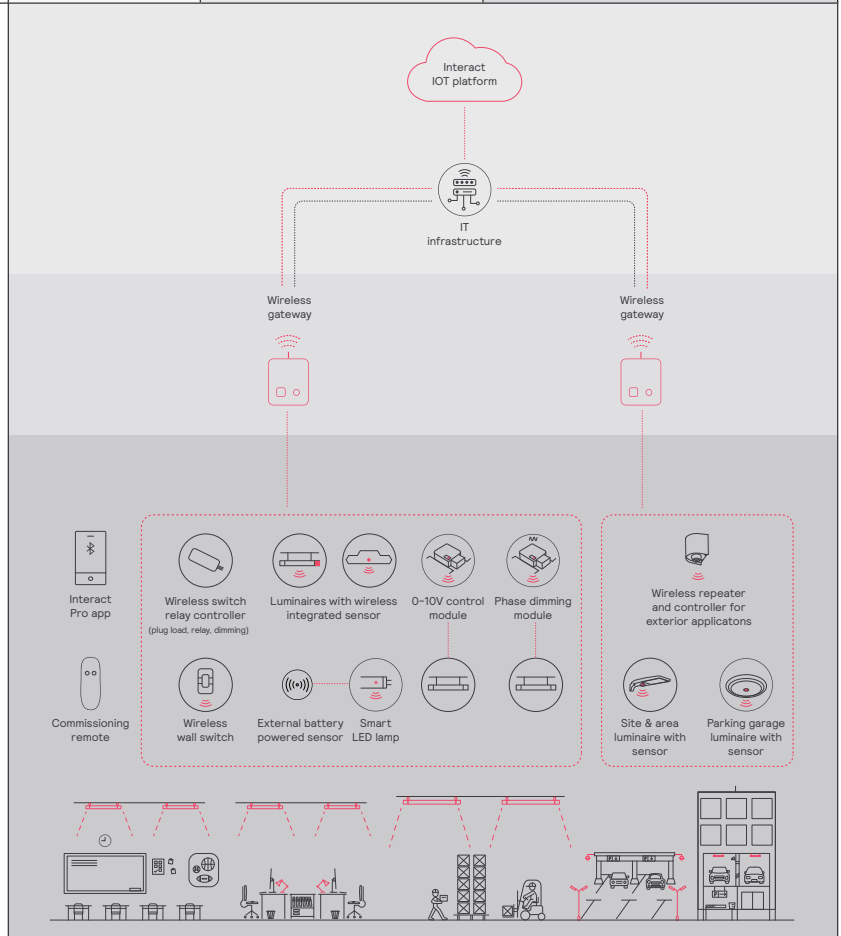
	Standalone	Gateway	Gateway + IoT
Dimming, grouping, and zoning	✓	✓	✓
Bluetooth and ZigBee enabled	✓	✓	✓
Motion sensing and daylight harvesting	✓	✓	✓
Integration with 0-10V and phase dimming fixtures	✓	✓	✓
Code compliance	✓	✓	✓
Granular dimming and dwell time	✓	✓	✓
Correlated color temperature (CCT) tuning by switch	New	✓	✓
Support for sensor-based Tunable White luminaires	New	✓	✓
Energy reporting and monitoring		✓	✓
Scheduling		✓	✓
Demand response		✓	✓
BMS integration (BACnet)			✓
Floor plan visualization			✓
IoT sensors for wellness			✓
IoT Apps for productivity			✓

Currently supported maximum system size

To be able to design the lighting system correctly for the customer, it is important to know the prime characteristics of the system, its possibilities and limitations.

System level	
Total number of gateways	Unlimited
Total number of devices	200 per network
• Luminaires with integrated sensors	150
• Smart TLEDS	150
• Zones + groups	64
Total number of ZGP devices (sensors and switches)	50
• Sensors	30
• Switches	50

Group level	
Recommended number of lights	40 (maximum 150)
Number of ZGP devices	5
Number of scenes	16



P6S LyteProfile 6"

Square Downlight & Lensed Wall Wash

Wireless controls options

Interact

- SWZCS is a connected sensor with integral occupancy and daylight sensing and supports wireless mesh connectivity.
- The sensor works in the standalone mode (similar to SpaceWise) when configured without a gateway or in a cloud connected mode if a compatible gateway is used.
- Interact includes an App, a portal and a broad portfolio of wireless luminaires, lamps and retrofit kits all working on the same system.
- Startup is implemented via Interact Pro App (Android or iPhone) & Bluetooth connectivity. The App provides flexibility to choose between a gateway or non gateway mode for setup.
- Setup with the gateway requires wired internet access to the gateway. It is possible to add a gateway at a later point.
- Prepare project configuration steps remotely and use IRT9015 remote on-site to identify and group devices together.

Compatible with:

- SWS200 & UID8465 wireless scene switch
- Battery powered IP42 presence sensor OCC sensor IA CM WH 10/1
- Battery powered IP42 presence & daylight sensor OCC-DL sensor IA CM IP42 WH
- LCN3110: battery powered IP65 presence sensor, OCC sensor IA CM IP65W
- LCN3120: battery powered IP65 presence & daylight sensor, OCC-DL sensor IA CM IP65 WH
- For more information on Interact visit: interact-lighting.com/interactproscalablesystem

Radio only sensor (RA or RADIO)

- Integral RA or RADIO only sensor simply enables wireless mesh connectivity to the luminaire without any occupancy or daylight sensing.
- Ideal for applications where sensing functionality is managed by other Interact devices and the luminaire only needs to have wireless connectivity.
- Interact includes an App, a portal and a broad portfolio of wireless luminaires, lamps and retrofit kits all working on the same system.
- Startup is implemented via Interact Pro App (Android or iPhone) & Bluetooth connectivity. The App provides flexibility to choose between a gateway or non-gateway mode for setup.
- Setup with the gateway requires wired internet access to the gateway. It is possible to add a gateway at a later point.
- Prepare project configuration steps remotely, identify and group devices together onsite.
- Compatible with SWS200 and UID8465 wireless scene switch, wireless Occ sensor (OCC SENSOR IA CM IP42 WH 10/1) and wireless Day/Occ sensor (OCC MULTI SENSOR IA CM WH 10/1).
- For more information on Interact visit: interact-lighting.com/interactproscalablesystem

Sensor bundle (IAOSB or SB)

- A wireless IoT connected lighting solution for large enterprises that span across multiple floors, buildings and require multiple gateways.
- View all your projects under one dashboard and easily compare insights from multiple projects in one view.
- Compatible with SWS200 wireless scene switch, wireless Occ sensor (OCC SENSOR IA CM IP42 WH 10/1) and wireless Day/Occ sensor (OCC MULTI SENSOR IA CM WH 10/1) and wireless Occupancy or Daylight & Occupancy sensors available. Use Interact software and insights to increase building efficiency, achieve building wide integration and optimize space through occupancy analytics.
- IAOSB or SB option in addition to occupancy and daylights sensing supports advanced IoT capabilities, such as people estimation analysis, desk level temperature & humidity sensing, noise classification, and BLE beacon.
- Requires compatible Gateway and internet connectivity for commissioning.
- For more information, visit: interact-lighting.com/interactproscalablesystem

Emergency Options (ER100)

- **Power Sensing** (factory default) – Recommended UL924 option requires unswitched power sense line, absence of voltage on the normal circuit triggers luminaire to 100% output.
- **Power Interruption Detection** (field option) – Detects AC power interruption >30ms triggers 90 minute emergency mode with luminaire at 100% output.

Interact supported sensor option codes across Genlyte product lines

	Evokit	Day-Brite	Ledalite	Lightolier
ZigBee + Bluetooth + Sensing	SWZCS	SWZCS	CS	SBA accessory (external)
ZigBee + Bluetooth	RADIO	RADIO	RA	RA
ZigBee + Bluetooth + Sensing + Environmental data	IAOSB	IAOSB	SB	SB
ZigBee + Highbay + Sensing	-	SWZCSH	-	-

P6S LyteProfile 6"

Square Downlight & Lensed Wall Wash



AccuRender Technology (CRI 90+)

The right light brings colors to life. Our new AccuRender technology helps ensure colors are rendered more accurately and consistently, while doing so as efficiently as CRI 80 products.



Standard CRI 80

Good color rendering and high efficacy



Standard CRI 90

Better color rendering and low efficacy



AccuRender

Best color rendering, color preference and high efficacy

Enjoy design flexibility

Full range of products and options:

- Available soon in across Lightolier portfolio for application flexibility
- Multiple color temperatures (CCTs) and lumen packages offered

Promote savings

High efficacy, with no penalty:

- Energy efficacy compares well to conventional 80 CRI
- Up to 25% more energy savings vs competitor 90 CRI¹
- Helps meet Title 24 requirements

Show your true colors

High color rendering:

- True to life colors to help energize your environment and render better flesh tones critical for healthcare hospitality and retail applications.
- R_a up to 94 CRI • R_r up to 92 TM-30
- R_g up to 67 CRI • R_{r,h1} up to 91 TM-30
- G_a up to 99 CRI • R_g up to 100 TM-30
- C_g up to 94 CRI • R_{es,h1} up to -5% TM-30

Achieve color balance

Best in class color consistency:

- Promote aesthetic harmony in your space with ≤ 2 SDCM

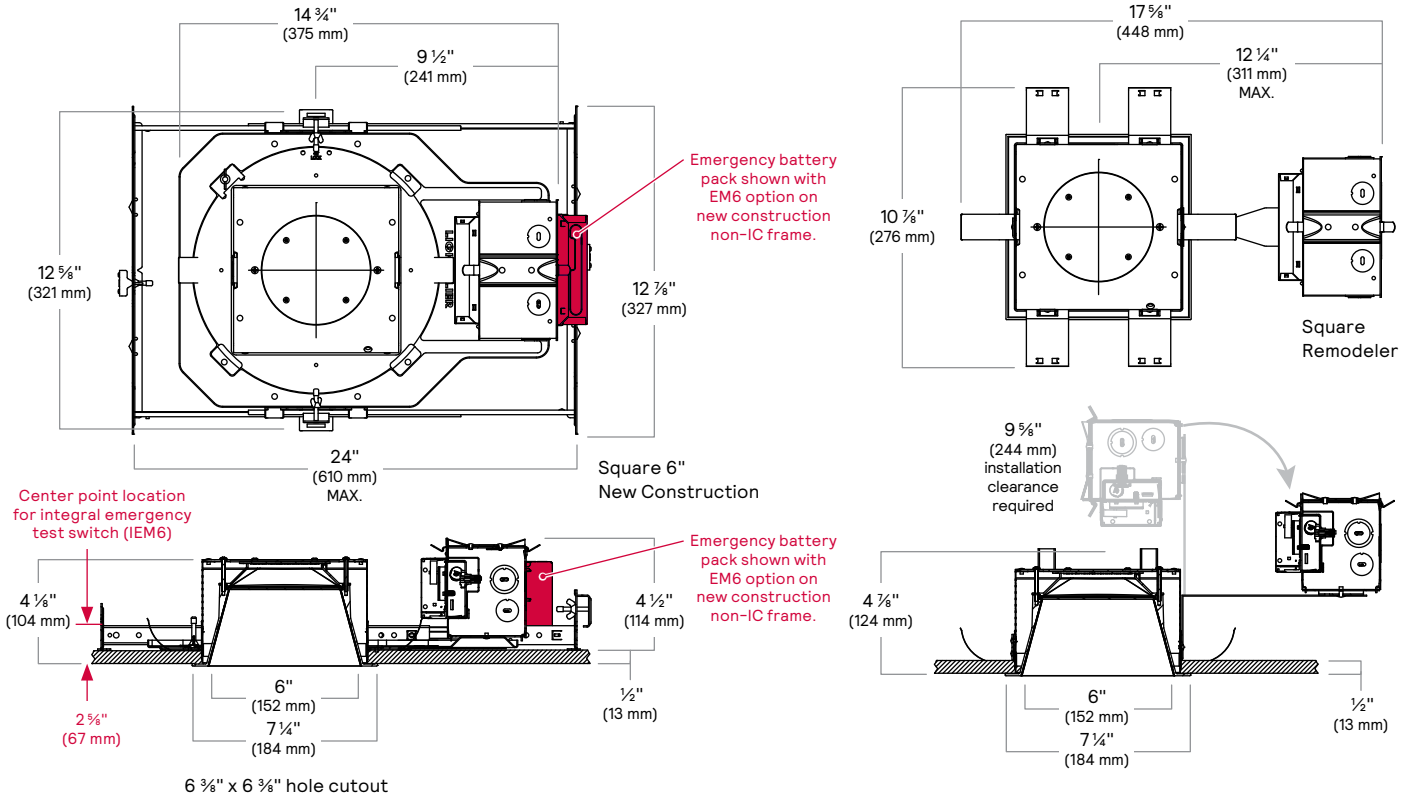
Electrical (Input frequency of 50/60Hz)

Product	Input Volts	Input Current (A)	Drive Current (A)	Input Power (W)	LED Power	THD Factor @ Max Load	Power Factor @ Max Load
P6SDL10_Z10U/3	120V	0.088A	0.25A	10.6W	8.7W	<10%	>0.9
	277V	0.039A	0.25A	10.9W	8.7W	<20%	>0.9
	347V	0.036A	0.25A	12.4W	8.7W	<30%	>0.9
P6SDL15_Z10U/3	120V	0.129A	0.38A	15.5W	13.0W	<10%	>0.9
	277V	0.056A	0.38A	15.6W	13.0W	<10%	>0.9
	347V	0.051A	0.38A	17.8W	13.0W	<25%	>0.9
P6SDL20_Z10U/3	120V	0.171A	0.50A	20.5W	17.3W	<10%	>0.9
	277V	0.074A	0.50A	20.6W	17.3W	<10%	>0.9
	347V	0.066A	0.50A	22.8W	17.3W	<20%	>0.9
P6SDL25_Z10U/3	120V	0.210A	0.62A	25.2W	21.5W	<10%	>0.9
	277V	0.092A	0.62A	25.4W	21.5W	<10%	>0.9
	347V	0.077A	0.62A	26.8W	21.5W	<20%	>0.9
P6SDL30_Z10U/3	120V	0.236A	0.70A	28.3W	24.2W	<10%	>0.9
	277V	0.102A	0.70A	28.2W	24.2W	<10%	>0.9
	347V	0.085A	0.70A	29.5W	24.2W	<15%	>0.9
P6SDL35_Z10U/3	120V	0.298A	0.89A	35.8W	30.8W	<10%	>0.9
	277V	0.129A	0.89A	35.8W	30.8W	<10%	>0.9
	347V	0.106A	0.89A	36.7W	30.8W	<10%	>0.9
P6SDL40_Z10U/3	120V	0.345A	1.03A	41.4W	35.6W	<10%	>0.9
	277V	0.150A	1.03A	41.4W	35.6W	<10%	>0.9
	347V	0.122A	1.03A	42.4W	35.6W	<10%	>0.9
P6SDL45_Z10U/3	120V	0.392A	1.17A	47.1W	40.5W	<10%	>0.9
	277V	0.170A	1.17A	47.1W	40.5W	<10%	>0.9
	347V	0.139A	1.17A	48.2W	40.5W	<10%	>0.9
P6SDL50_Z10U/3	120V	0.453A	1.35A	54.3W	46.7W	<10%	>0.9
	277V	0.196A	1.35A	54.3W	46.7W	<10%	>0.9
	347V	0.158A	1.35A	55.0W	46.7W	<10%	>0.9

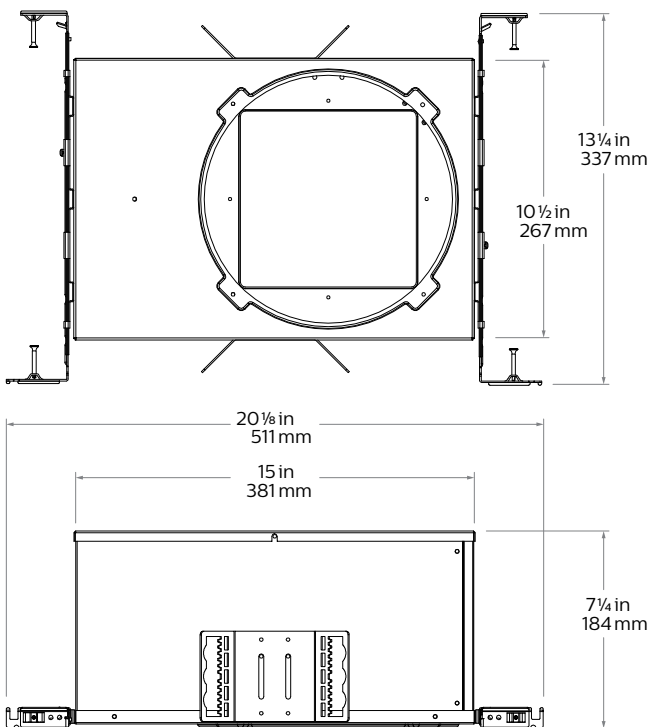
P6S LyteProfile 6"

Square Downlight & Lensed Wall Wash

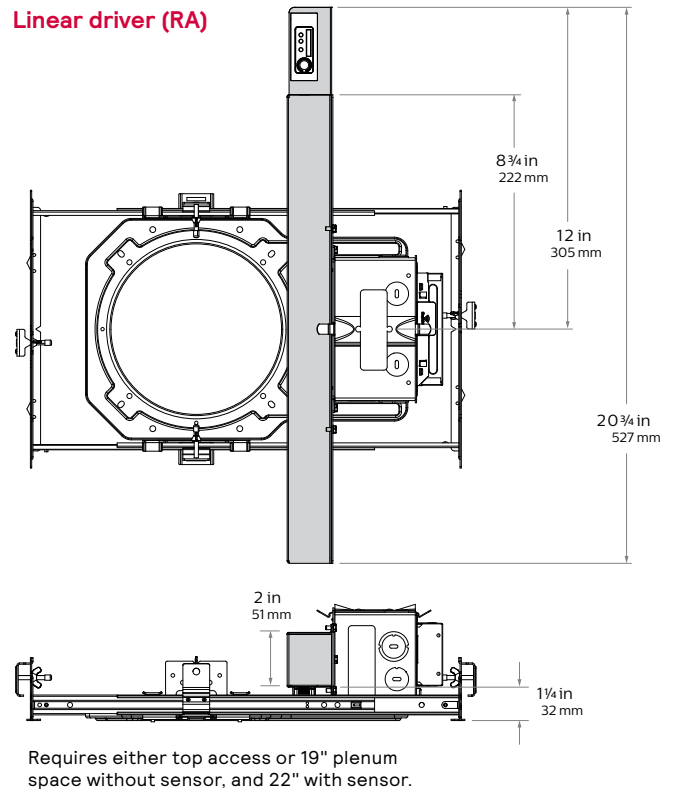
New construction



AirSeal (A)



Linear driver (RA)

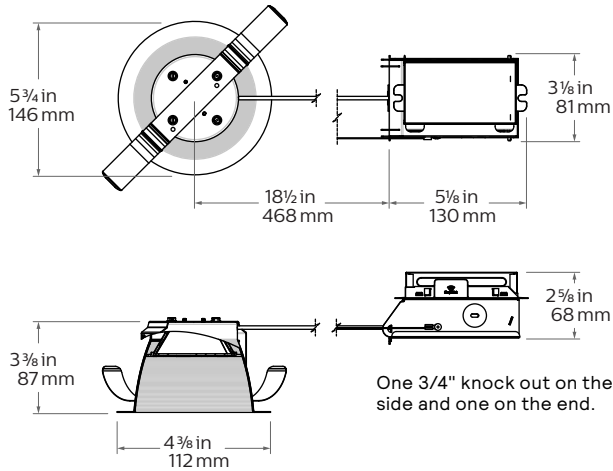


P6S LyteProfile 6"

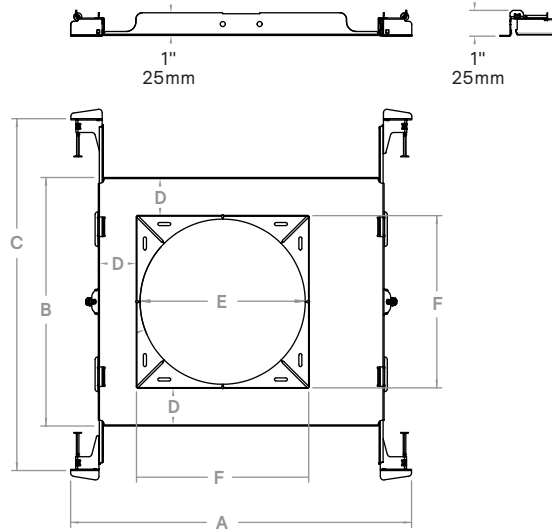
Square Downlight & Lensed Wall Wash

Flex Install (F)

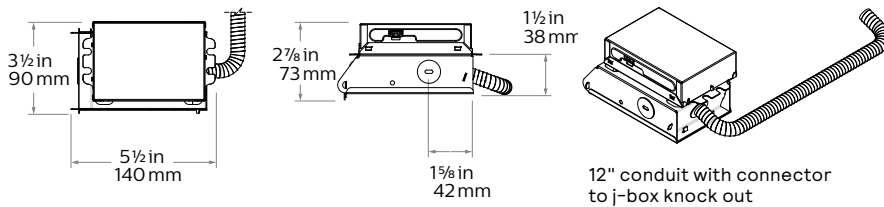
(Flex architecture available as ETO, consult factory)



4RNSR Flex install non-IC frame



LCEM6 Flex install (F) engine only



A	B	C	D	E	F
10 3/8"	7 1/4"	13 3/8"	1"	4 3/8"	5 1/4"
276mm	184mm	345mm	25mm	124mm	132mm

Reflectors



Specular clear (CL): Most specular and most efficient finish, delivers maximum photometric performance but can produce a mirror image effect of the interior space.



Comfort clear (CC): Semi-specular finish that softens the light at the source of the reflector and creates a subtle, even luminance from the reflector cone.



Comfort clear diffuse (CD): Slightly diffuse clear finish, which eliminates iridescence and reduces the mirror image effect inherent with a specular finish.



White (-): (matte) Brightest aperture when illuminated and provides the smoothest transition to most ceilings when off (white is only available with a white flange).



Black (BK): Painted matte finish that provides the lowest aperture brightness possible and reduces source identification in a ceiling significantly.

Flanges



White (-): (matte) Provides the smoothest transition to ceilings when off.



Black (BK): Painted matte finish that provides the lowest aperture brightness possible.



Aluminum (A): Painted aluminum finish to more closely match visual appearance of anodized inner trim surface.

P6S LyteProfile 6"

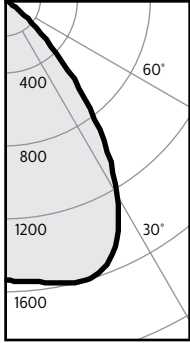
Square Downlight & Lensed Wall Wash

Adjustment Factors

Finish	CRI/CCT	Lumens	
CL = 100%	90CRI 4000K = 106%	5000lm = 167%	2500lm = 83%
CC = 86%	90CRI 3500K = 104%	4500lm = 150%	2000lm = 67%
CD = 91%	90CRI 3000K = 100%	4000lm = 133%	1500lm = 50%
WH = 90%	90CRI 2700K = 96%	3500lm = 117%	1000lm = 33%
BK = 54%		3000lm = 100%	

Downlight, Medium beam, 20W LED, 90CRI, 3500K

Candela Curves



Zonal lumens & percentages

Zone	Lumens	%Luminaire
0-30	1253	57.5%
0-40	1833	84.1%
0-60	2177	99.9%
0-90	2180	100.0%

Report¹:

P6SDL20935MCLZ10U.IES
 Output Lms: 3100lms
 Input Watts²: 29.4W
 Efficacy: 105.4 lm/w
 CCT³: 3000K
 CRI: 90min
 Beam Angle: 76°
 Spacing Crit.: 1.22

Angle	Mean CP	Lms
0	1534	
5	1544	
10	1571	148
15	1593	
20	1564	449
25	1443	
30	1225	655
35	940	
40	635	581
45	360	
50	163	284
55	57	
60	13	59
65	2	
70	1	3
75	0	
80	0	0
85	0	
90	0	0

Single unit data

Height to lighted plane	Initial center beam foot-candles	Beam dia. (ft)*
5'	61	5.9'
6'	43	7.1'
7'	31	8.3'
8'	24	9.4'
9'	19	10.6'

* Beam diameter is where foot-candles drop to 50% of maximum.

Multiple unit data - RCR 2

Spacing on center	Initial center beam foot-candles	Watts per sq.ft.
5'	98.0	0.91
6'	64.0	0.60
7'	46.0	0.43
8'	38.0	0.35
9'	31.0	0.28

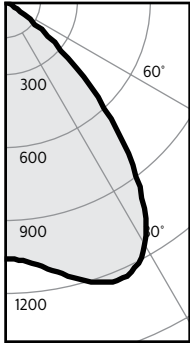
38'x38'x10' Room, Workplane 2.5' above floor, 80/50/20% Reflectances

Coefficients of utilization

Ceiling	80%				70%		50%		30%		0%	
	70	50	30	10	50	10	50	10	50	10	0	
Wall	Zonal cavity method - Effective floor reflectance = 20%											
RCR	Zonal cavity method - Effective floor reflectance = 20%											
Room Cavity Ratio	0	119	119	119	119	116	116	111	111	106	106	100
	1	113	110	107	105	108	103	104	100	100	97	92
	2	107	101	97	93	100	92	96	90	93	88	85
	3	101	94	88	84	92	83	90	82	87	81	78
	4	95	87	81	76	85	76	83	75	81	74	71
	5	90	80	74	69	79	69	78	68	76	68	66
	6	85	75	68	64	74	63	72	63	71	63	61
	7	80	70	63	59	69	59	68	58	67	58	56
	8	76	65	59	54	65	54	64	54	63	54	52
	9	72	61	55	51	61	51	60	50	59	50	49
	10	68	58	52	47	57	47	56	47	56	47	45

Downlight, Wide beam, 20W LED, 90CRI, 3500K

Candela Curves



Zonal lumens & percentages

Zone	Lumens	%Luminaire
0-30	996	47.7%
0-40	1599	76.6%
0-60	2081	99.7%
0-90	2087	100.0%

Report¹:

P6SDL20935WCLZ10U.IES
 Output Lms: 3100lms
 Input Watts²: 29.4W
 Efficacy: 105.4 lm/w
 CCT³: 3000K
 CRI: 90min
 Beam Angle: 76°
 Spacing Crit.: 1.22

Angle	Mean CP	Lms
0	1052	
5	1070	
10	1116	104
15	1175	
20	1221	334
25	1222	
30	1144	558
35	979	
40	751	603
45	495	
50	264	381
55	100	
60	21	101
65	2	
70	1	5
75	0	
80	0	1
85	0	
90	0	0

Single unit data

Height to lighted plane	Initial center beam foot-candles	Beam dia. (ft)*
5'	42	7.1'
6'	29	8.5'
7'	21	9.9'
8'	16	11.4'
9'	13	12.8'

* Beam diameter is where foot-candles drop to 50% of maximum.

Multiple unit data - RCR 2

Spacing on center	Initial center beam foot-candles	Watts per sq.ft.
5'	92.0	0.91
6'	61.0	0.60
7'	43.0	0.43
8'	36.0	0.35
9'	29.0	0.28

38'x38'x10' Room, Workplane 2.5' above floor, 80/50/20% Reflectances

Coefficients of utilization

Ceiling	80%				70%		50%		30%		0%	
	70	50	30	10	50	10	50	10	50	10	0	
Wall	Zonal cavity method - Effective floor reflectance = 20%											
RCR	Zonal cavity method - Effective floor reflectance = 20%											
Room Cavity Ratio	0	119	119	119	119	116	116	111	111	106	106	100
	1	113	110	107	105	108	103	104	100	100	97	92
	2	107	101	97	93	100	92	96	90	93	88	85
	3	101	94	88	84	92	83	90	82	87	81	78
	4	95	87	81	76	85	76	83	75	81	74	71
	5	90	80	74	69	79	69	78	68	76	68	66
	6	85	75	68	64	74	63	72	63	71	63	61
	7	80	70	63	59	69	59	68	58	67	58	56
	8	76	65	59	54	65	54	64	54	63	54	52
	9	72	61	55	51	61	51	60	50	59	50	49
	10	68	58	52	47	57	47	56	47	56	47	45

1. Tested using absolute photometry as specified in LM79: IESNA Approved Method for the Electrical and Photometric Measurements of Solid-State Lighting Products.
 2. Wattage: controlled to within 5%
 3. Correlated Color Temperature: within specs as defined in ANSI_NEMA_ANSI C78.377-2008: Specifications for the Chromaticity of Solid State Lighting Products.

P6S LyteProfile 6"

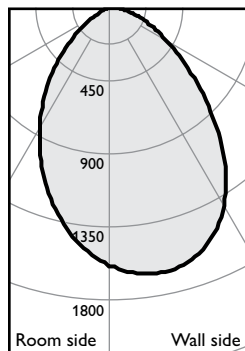
Square Downlight & Lensed Wall Wash

Adjustment Factors

Finish	CRI/CCT	Lumens	
CL = 100%	90CRI 4000K = 106%	5000lm = 167%	2500lm = 83%
CC = 86%	90CRI 3500K = 104%	4500lm = 150%	2000lm = 67%
CD = 91%	90CRI 3000K = 100%	4000lm = 133%	1500lm = 50%
WH = 90%	90CRI 2700K = 96%	3500lm = 117%	1000lm = 33%
BK = 54%		3000lm = 100%	

Lensed Wall Wash, Wide beam, 29W LED, 90CRI, 3000K

Candela Curve



Report: P6SLW30930CLZ10U.IES

Output Lms: 2797lms
 Input Watts²: 29.4W
 Efficacy: 95.1lm/w
 CCT³: 3000K
 CRI: 90min

Multiple unit data Footcandles on wall

Distance from ceiling in feet	2' from wall 3' on ctr.		
1	54	46	54
2	87	80	87
3	81	78	81
4	62	62	62
5	45	45	45
6	33	33	33
7	25	25	25
8	19	19	19
9	15	15	15
10	12	12	12
12	10	10	10
14	9	9	9

Multiple unit data Footcandles on wall

Distance from ceiling in feet	3' from wall 3' on ctr.		
1	25	24	25
2	47	46	47
3	56	56	56
4	55	55	55
5	47	47	47
6	38	38	38
7	30	30	30
8	24	24	24
9	19	19	19
10	16	16	16
12	13	13	13
14	11	11	11

Multiple unit data Footcandles on wall

Distance from ceiling in feet	3' from wall 4' on ctr.		
1	22	18	22
2	39	34	39
3	45	41	45
4	43	40	43
5	36	34	36
6	29	28	29
7	23	22	23
8	18	18	18
9	15	14	15
10	12	12	12
12	10	10	10
14	8	8	8

1. Tested using absolute photometry as specified in LM79: IESNA Approved Method for the Electrical and Photometric Measurements of Solid-State Lighting Products.
2. Wattage: controlled to within 5%
3. Correlated Color Temperature: within specs as defined in ANSI_NEMA_ANSI C78.377-2008: Specifications for the Chromaticity of Solid State Lighting Products.



© 2024 Signify Holding. All rights reserved. The information provided herein is subject to change, without notice. Signify does not give any representation or warranty as to the accuracy or completeness of the information included herein and shall not be liable for any action in reliance thereon. The information presented in this document is not intended as any commercial offer and does not form part of any quotation or contract, unless otherwise agreed by Signify.

Signify North America Corporation
 400 Crossing Blvd, Suite 600
 Bridgewater, NJ 08807
 Telephone: 800-555-0050

Signify Canada Ltd.
 281 Hillmount Road,
 Markham, ON, Canada L6C 2S3
 Telephone: 800-668-9008

All trademarks are owned by Signify Holding or their respective owners.