

**Day-Brite/CFI Selectable backlit panel** is a highly versatile luminaire designed to provide three lumen and three CCT packages per size. Available for use in recessed and surface mount applications, the SBP is a versatile luminaire that is ideal for general lighting applications such as open office, schools, healthcare, and retail.

Project: \_\_\_\_\_  
 Location: \_\_\_\_\_  
 Cat.No: \_\_\_\_\_  
 Type: \_\_\_\_\_  
 Qty: \_\_\_\_\_  
 Notes: \_\_\_\_\_



### Ordering guide

| Catalog Code           | Size | Voltage | Power/Wattage |       |       | Lumens |       |       | Efficacy |       |       |
|------------------------|------|---------|---------------|-------|-------|--------|-------|-------|----------|-------|-------|
|                        |      |         | 3500K         | 4000K | 5000K | 3500K  | 4000K | 5000K | 3500K    | 4000K | 5000K |
| 1SBP2035L8DS-4-UNV-DIM | 1x4  | 120-277 | 18            | 18    | 18    | 2282   | 2417  | 2364  | 124      | 135   | 128   |
|                        |      |         | 29            | 28    | 29    | 3360   | 3632  | 3491  | 115      | 129   | 120   |
|                        |      |         | 34            | 33    | 34    | 3811   | 4033  | 3847  | 111      | 123   | 112   |
| 2SBP2035L8DS-2-UNV-DIM | 2x2  | 120-277 | 19            | 18    | 19    | 2220   | 2321  | 2252  | 121      | 130   | 122   |
|                        |      |         | 29            | 28    | 29    | 3272   | 3483  | 3311  | 113      | 125   | 114   |
|                        |      |         | 34            | 33    | 34    | 3708   | 3982  | 3753  | 110      | 122   | 111   |
| 2SBP3050L8DS-4-UNV-DIM | 2x4  | 120-277 | 28            | 27    | 28    | 3304   | 3448  | 3343  | 120      | 129   | 121   |
|                        |      |         | 40            | 39    | 40    | 4549   | 4814  | 4595  | 114      | 125   | 115   |
|                        |      |         | 52            | 51    | 52    | 5666   | 6073  | 5718  | 108      | 120   | 109   |

### Accessories (order separately)

- **FPEMLED10RM** 10W Emergency Driver Kit (field assembled)
- **FMA14** 1'x4' "F" mounting frame for NEMA "F" mounting
- **FPSMF14** 1'x4' surface mount field assembly kit (field assembled)
- **FSK14** 1'x4' surface mount field installation kit (factory welded seams)
- **FMA22** 2'x2' "F" mounting frame for NEMA "F" mounting
- **FPSMF22** 2'x2' surface mount field assembly kit (field assembled)
- **FSK22** 2'x2' surface mount field installation kit (factory welded seams)
- **FMA24** 2'x4' "F" mounting frame for NEMA "F" mounting
- **FPSMF24** 2'x4' surface mount field assembly kit (field assembled)
- **FSK24** 2'x4' surface mount field installation kit (factory welded seams)

# 1SBP/2SBP Selectable backlit panel

## Selectable lumens and CCT

### Application

- Overall 1-1/2" deep luminaire, including driver box, provides minimal intrusion into the plenum space.
- Even distribution of light on the lens provides exceptionally low glare gradient minimizing distractions at the ceiling plane.
- General light distribution creates uniform horizontal and vertical illuminance on the work plane and limits scalloping on the walls.
- Excellent consistency of correlated color temperature (CCT) per ANSI C78.377.
- CRI 80 minimum color rendering with balanced spectrum.
- Designed for use with standard Grid (NEMA "G") or Narrow Grid (NEMA "NFG") ceiling T-bars. Drywall or plaster application require use with the FMA "F" mounting frame accessory (sold and shipped separately).
- Accessory field install kits available for surface (FSK and FSF) mounting.

### Construction/Finish

- Extruded aluminum frame post painted with gloss white enamel finish. Corners are precision welded for seamless aesthetic.
- Die formed driver box with standard access plate for ease of wiring, provides tool-free access to driver(s) from above.
- Back lit LED arrays with optics provide highly efficient and unpixelated transfer of light to the lens.
- Integral clips accommodate definitive attachment to T-bar grid for recessed applications.
- Die formed surface box accessory kit post painted gloss white enamel.

### Field Selectable CCT and Wattage

- CCT can easily be selected in the field between 5000K ; 4000K ; 3500K.
- Wattage selection allows for easy field selection between three lumen packages (see performance chart for details).
- Factory default settings noted in image below:



### Electrical

- Up to 128 lm/W efficacy.
- Driver featuring high power factor (>0.90), 120-277V 60/50Hz, and less than 15% THD.
- Minimum start temperature -20°C (-4°F).
- Standard configurations are 0-10V dimming to 5%.
- Electromagnetic interference (EMI) compliant to FCC Title 47 Part 15 class A.
- Flicker and stroboscopic effect compliant to NEMA 77-2017.
- TM-21 predicted L70 lumen maintenance up to 67,000 hours per LED manufacturer LM-80 report.
- cULus listed to UL and CSA standards, suitable for damp locations.
- IC rated.
- To predict lumen output in emergency mode, multiply emergency pack wattage by luminaire efficacy, then by 1.10. Typical lumen output is 1200lm for BSL310.
- Selectable backlit panel luminaires are Designlights Consortium® qualified. Please see the DLC QPL list for exact catalog numbers [www.designlights.org/QPL](http://www.designlights.org/QPL).

### Enclosure

- Diffuser provides visual comfort and high efficiency.
- Flat opal diffuser is easy to clean and provides a uniform aesthetic on the ceiling plane.
- Tight enclosure assembly impedes ingress of dust and insects.

### General Notes

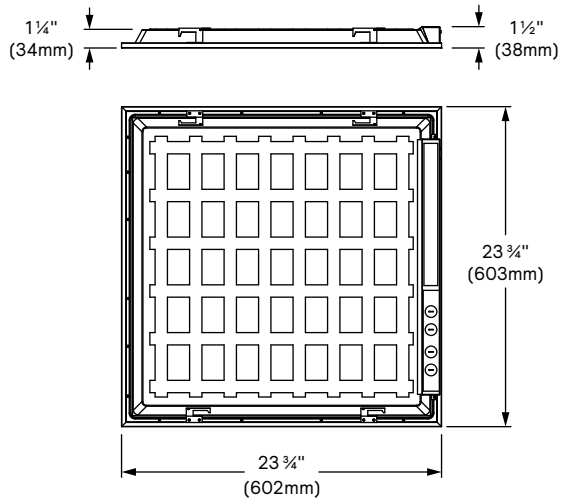
- All accessories are field installed.
- All options are factory installed.
- Many luminaire components, such as reflectors, refractors, lenses, sockets, lampholders, and LEDs are made from various types of plastics which can be adversely affected by airborne contaminants. If sulfur based chemicals, petroleum based products, cleaning solutions, or other contaminants are expected in the intended area of use, consult factory for compatibility.
- Five year limited luminaire warranty includes LED boards and driver. Visit [www.signify.com/warranties](http://www.signify.com/warranties) for complete warranty information.

# 1SBP/2SBP Selectable backlit panel

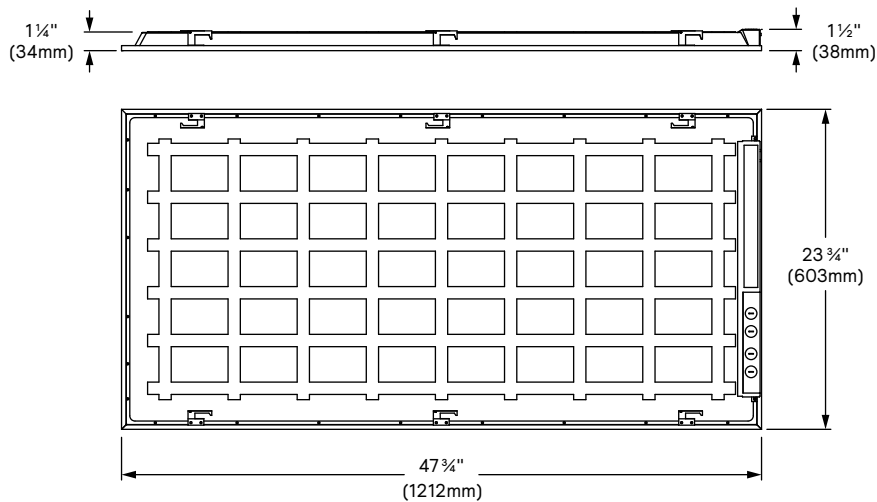
## Selectable lumens and CCT

### Standard Configurations

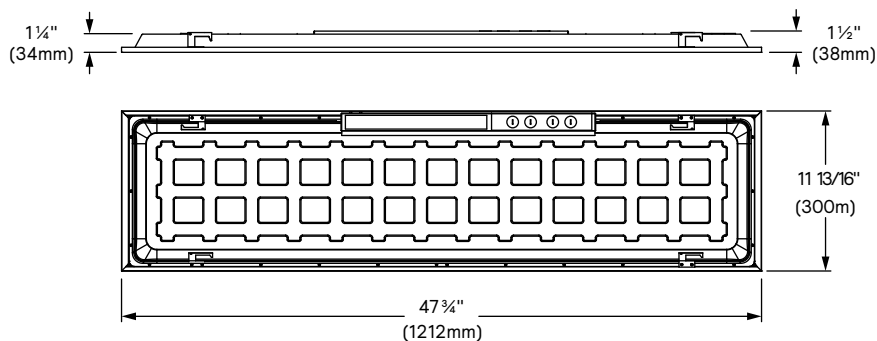
#### 2x2 dimensions



#### 2x4 dimensions



#### 1x4 dimensions



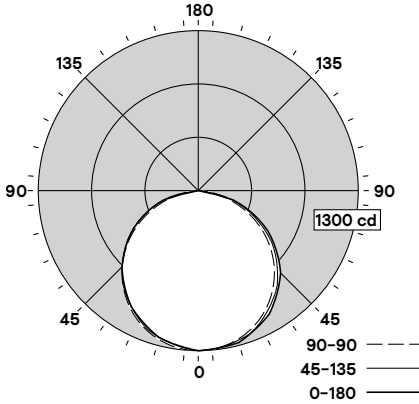
# 1SBP/2SBP Selectable backlit panel

## Selectable lumens and CCT

### Photometry

#### 1SBP2035L8DS-4-UNV-DIM 4000K

Luminaire Lumens 4033  
 Luminaire Efficacy Rating (LER) 123  
 Total Luminaire Watts 32.8  
 Spacing Criterion (0-180) 1.27



| Candela Distribution |      |      |      |      |      | Flux   |
|----------------------|------|------|------|------|------|--------|
|                      | 0    | 22.5 | 45   | 67.5 | 90   | Lumens |
| 0                    | 1368 | 1368 | 1368 | 1368 | 1368 |        |
| 5                    | 1361 | 1364 | 1369 | 1375 | 1375 | 130    |
| 15                   | 1317 | 1321 | 1325 | 1333 | 1332 | 374    |
| 25                   | 1228 | 1321 | 1237 | 1243 | 1243 | 570    |
| 35                   | 1099 | 1102 | 1107 | 1110 | 1108 | 692    |
| 45                   | 934  | 936  | 941  | 942  | 941  | 724    |
| 55                   | 736  | 738  | 740  | 739  | 738  | 659    |
| 65                   | 508  | 510  | 511  | 512  | 512  | 505    |
| 75                   | 275  | 276  | 277  | 277  | 277  | 293    |
| 85                   | 74   | 75   | 76   | 76   | 75   | 86     |
| 90                   | 3    | 4    | 4    | 4    | 5    |        |

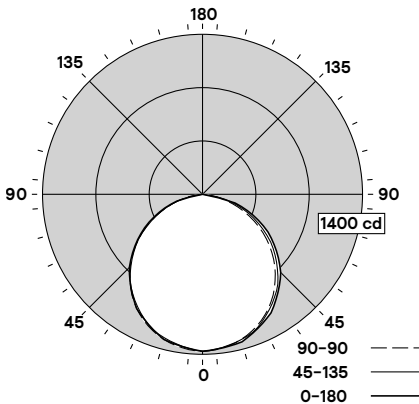
| Zonal Lumen Summary |        |          |        |
|---------------------|--------|----------|--------|
| Zone                | Lumens | %Fixture | %Lamp  |
| 0-30                | 1074   | 26.7%    | 26.7%  |
| 0-40                | 1767   | 43.8%    | 43.8%  |
| 0-60                | 3150   | 78.1%    | 78.1%  |
| 0-90                | 4033   | 100.0%   | 100.0% |
| 0-180               | 4033   | 100.0%   | 100.0% |

| Average Luminance (cd/m²) |      |      |      |
|---------------------------|------|------|------|
|                           | 0    | 90   | 180  |
| 0                         | 4836 | 4836 | 4836 |
| 5                         | 4828 | 4855 | 4879 |
| 15                        | 4817 | 4848 | 4872 |
| 25                        | 4790 | 4824 | 4846 |
| 35                        | 4741 | 4778 | 4782 |
| 45                        | 4664 | 4702 | 4702 |
| 55                        | 4531 | 4554 | 4543 |
| 65                        | 4250 | 4274 | 4282 |
| 75                        | 3748 | 3774 | 3774 |
| 85                        | 2993 | 3070 | 3032 |

| Coefficients of Utilization % |     |     |     |     |     |     |     |     |     |     |     |  |   |
|-------------------------------|-----|-----|-----|-----|-----|-----|-----|-----|-----|-----|-----|--|---|
| Pc---                         | 80  |     |     |     | 70  |     |     |     | 50  |     |     |  | 0 |
| Pw---                         | 70  | 50  | 30  | 10  | 70  | 50  | 30  | 50  | 30  | 10  | 0   |  |   |
| RCR                           |     |     |     |     |     |     |     |     |     |     |     |  |   |
| 0                             | 119 | 119 | 119 | 119 | 116 | 116 | 116 | 111 | 111 | 111 | 100 |  |   |
| 1                             | 109 | 104 | 99  | 95  | 106 | 101 | 97  | 97  | 94  | 91  | 83  |  |   |
| 2                             | 99  | 90  | 83  | 77  | 96  | 88  | 82  | 85  | 79  | 75  | 69  |  |   |
| 3                             | 90  | 79  | 71  | 64  | 87  | 77  | 70  | 74  | 68  | 62  | 58  |  |   |
| 4                             | 82  | 70  | 61  | 54  | 80  | 68  | 60  | 66  | 59  | 53  | 49  |  |   |
| 5                             | 75  | 62  | 53  | 46  | 73  | 61  | 53  | 59  | 51  | 46  | 43  |  |   |
| 6                             | 70  | 56  | 47  | 40  | 68  | 55  | 47  | 53  | 46  | 40  | 37  |  |   |
| 7                             | 64  | 51  | 42  | 36  | 63  | 50  | 42  | 48  | 41  | 35  | 33  |  |   |
| 8                             | 60  | 46  | 38  | 32  | 58  | 46  | 37  | 44  | 37  | 31  | 29  |  |   |
| 9                             | 56  | 42  | 34  | 29  | 55  | 42  | 34  | 41  | 33  | 28  | 26  |  |   |
| 10                            | 52  | 39  | 31  | 26  | 51  | 39  | 31  | 38  | 31  | 26  | 24  |  |   |

#### 2SBP2035L8DS-2-UNV-DIM 4000K

Luminaire Lumens 3788  
 Luminaire Efficacy Rating (LER) 118  
 Total Luminaire Watts 32.0  
 Spacing Criterion (0-180) 1.26



| Candela Distribution |      |      |      |      |      | Flux   |
|----------------------|------|------|------|------|------|--------|
|                      | 0    | 22.5 | 45   | 67.5 | 90   | Lumens |
| 0                    | 1313 | 1313 | 1313 | 1313 | 1313 |        |
| 5                    | 1307 | 1306 | 1306 | 1306 | 1306 | 124    |
| 15                   | 1264 | 1263 | 1262 | 1262 | 1262 | 356    |
| 25                   | 1176 | 1175 | 1175 | 1174 | 1174 | 542    |
| 35                   | 1050 | 1049 | 1047 | 1047 | 1048 | 655    |
| 45                   | 888  | 886  | 885  | 884  | 884  | 683    |
| 55                   | 692  | 690  | 690  | 690  | 691  | 617    |
| 65                   | 476  | 475  | 475  | 474  | 475  | 469    |
| 75                   | 253  | 252  | 252  | 252  | 253  | 268    |
| 85                   | 63   | 63   | 63   | 63   | 63   | 74     |
| 90                   | 2    | 2    | 1    | 1    | 1    |        |

| Zonal Lumen Summary |        |          |         |
|---------------------|--------|----------|---------|
| Zone                | Lumens | %Fixture | %Lamp   |
| 0-30                | 1022   | 27.00%   | 27.00%  |
| 0-40                | 1677   | 44.30%   | 44.30%  |
| 0-60                | 2977   | 78.60%   | 78.60%  |
| 0-90                | 3788   | 100.00%  | 100.00% |
| 0-180               | 3788   | 100.00%  | 100.00% |

| Average Luminance (cd/m²) |      |      |      |
|---------------------------|------|------|------|
|                           | 0    | 90   | 180  |
| 0                         | 4361 | 4361 | 4361 |
| 5                         | 4357 | 4354 | 4354 |
| 15                        | 4345 | 4338 | 4338 |
| 25                        | 4310 | 4307 | 4303 |
| 35                        | 4258 | 4243 | 4247 |
| 45                        | 4170 | 4157 | 4152 |
| 55                        | 4006 | 3995 | 4001 |
| 65                        | 3738 | 3731 | 3731 |
| 75                        | 3243 | 3231 | 3243 |
| 85                        | 2417 | 2417 | 2417 |

| Coefficients of Utilization % |     |     |     |     |     |     |     |     |     |     |     |  |   |
|-------------------------------|-----|-----|-----|-----|-----|-----|-----|-----|-----|-----|-----|--|---|
| Pc---                         | 80  |     |     |     | 70  |     |     |     | 50  |     |     |  | 0 |
| Pw---                         | 70  | 50  | 30  | 10  | 70  | 50  | 30  | 50  | 30  | 10  | 0   |  |   |
| RCR                           |     |     |     |     |     |     |     |     |     |     |     |  |   |
| 0                             | 119 | 119 | 119 | 119 | 116 | 116 | 116 | 111 | 111 | 111 | 100 |  |   |
| 1                             | 109 | 104 | 99  | 96  | 106 | 102 | 98  | 97  | 94  | 91  | 84  |  |   |
| 2                             | 99  | 90  | 83  | 78  | 96  | 88  | 82  | 85  | 80  | 75  | 69  |  |   |
| 3                             | 90  | 79  | 71  | 64  | 87  | 78  | 70  | 75  | 68  | 63  | 58  |  |   |
| 4                             | 82  | 70  | 61  | 54  | 80  | 69  | 60  | 66  | 59  | 53  | 50  |  |   |
| 5                             | 76  | 63  | 54  | 47  | 73  | 61  | 53  | 59  | 52  | 46  | 43  |  |   |
| 6                             | 70  | 56  | 47  | 41  | 68  | 55  | 47  | 54  | 46  | 40  | 37  |  |   |
| 7                             | 65  | 51  | 42  | 36  | 63  | 50  | 42  | 49  | 41  | 36  | 33  |  |   |
| 8                             | 60  | 47  | 38  | 32  | 59  | 46  | 38  | 44  | 37  | 32  | 29  |  |   |
| 9                             | 56  | 43  | 34  | 29  | 55  | 42  | 34  | 41  | 34  | 29  | 26  |  |   |
| 10                            | 53  | 39  | 31  | 26  | 51  | 39  | 31  | 38  | 31  | 26  | 24  |  |   |

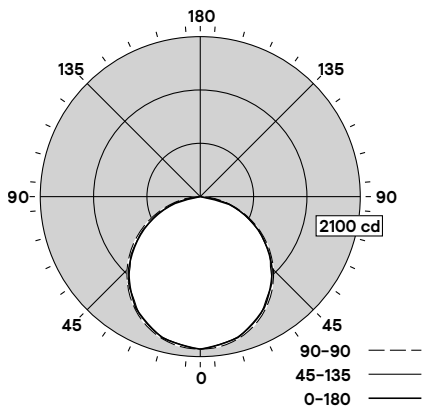
# 1SBP/2SBP Selectable backlit panel

## Selectable lumens and CCT

### Photometry

#### 2SBP3050L8DS-4-UNV-DIM 4000K

|                                 |      |
|---------------------------------|------|
| Luminaire Lumens                | 4721 |
| Luminaire Efficacy Rating (LER) | 127  |
| Total Luminaire Watts           | 37.2 |
| Spacing Criterion (0-180)       | 1.27 |



| Candela Distribution |      |      |      |      |      | Flux   |
|----------------------|------|------|------|------|------|--------|
|                      | 0    | 22.5 | 45   | 67.5 | 90   | Lumens |
| 0                    | 1628 | 1628 | 1628 | 1628 | 1628 |        |
| 5                    | 1619 | 1620 | 1624 | 1627 | 1629 | 154    |
| 15                   | 1566 | 1567 | 1571 | 1574 | 1575 | 443    |
| 25                   | 1461 | 1463 | 1466 | 1467 | 1467 | 675    |
| 35                   | 1302 | 1304 | 1306 | 1306 | 1307 | 817    |
| 45                   | 1099 | 1100 | 1101 | 1102 | 1103 | 850    |
| 55                   | 865  | 864  | 863  | 863  | 862  | 771    |
| 65                   | 594  | 593  | 593  | 593  | 592  | 586    |
| 75                   | 316  | 315  | 314  | 313  | 311  | 334    |
| 85                   | 80   | 80   | 79   | 78   | 77   | 92     |
| 90                   | 3    | 3    | 3    | 3    | 3    |        |

| Zonal Lumen Summary |        |          |         |
|---------------------|--------|----------|---------|
| Zone                | Lumens | %Fixture | %Lamp   |
| 0-30                | 1273   | 27.00%   | 27.00%  |
| 0-40                | 2089   | 44.30%   | 44.30%  |
| 0-60                | 3709   | 78.60%   | 78.60%  |
| 0-90                | 4721   | 100.00%  | 100.00% |
| 0-180               | 4721   | 100.00%  | 100.00% |

| Average Luminance (cd/m <sup>2</sup> ) |      |      |      |
|--|------|------|------|
|  | 0    | 90   | 180  |
| 0                                      | 2582 | 2582 | 2582 |
| 5                                      | 2577 | 2585 | 2593 |
| 15                                     | 2571 | 2579 | 2586 |
| 25                                     | 2556 | 2564 | 2566 |
| 35                                     | 2521 | 2528 | 2530 |
| 45                                     | 2465 | 2470 | 2474 |
| 55                                     | 2391 | 2386 | 2383 |
| 65                                     | 2228 | 2225 | 2221 |
| 75                                     | 1937 | 1925 | 1908 |
| 85                                     | 1451 | 1434 | 1399 |

| Coefficients of Utilization % |     |     |     |     |     |     |     |     |     |     |     |   |   |
|-------------------------------|-----|-----|-----|-----|-----|-----|-----|-----|-----|-----|-----|---|---|
| Pc---                         | 80  |     |     |     | 70  |     |     |     | 50  |     |     |   | 0 |
| Pw---                         | 70  | 50  | 30  | 10  | 70  | 50  | 30  | 50  | 30  | 10  | 0   | 0 |   |
| RCR                           |     |     |     |     |     |     |     |     |     |     |     |   |   |
| 0                             | 119 | 119 | 119 | 119 | 116 | 116 | 116 | 111 | 111 | 111 | 100 |   |   |
| 1                             | 109 | 104 | 99  | 96  | 106 | 102 | 98  | 97  | 94  | 91  | 83  |   |   |
| 2                             | 99  | 90  | 83  | 78  | 96  | 88  | 82  | 85  | 80  | 75  | 69  |   |   |
| 3                             | 90  | 79  | 71  | 64  | 87  | 78  | 70  | 75  | 68  | 63  | 58  |   |   |
| 4                             | 82  | 70  | 61  | 54  | 80  | 69  | 60  | 66  | 59  | 53  | 50  |   |   |
| 5                             | 76  | 63  | 53  | 47  | 73  | 61  | 53  | 59  | 52  | 46  | 43  |   |   |
| 6                             | 70  | 56  | 47  | 41  | 68  | 55  | 47  | 54  | 46  | 40  | 37  |   |   |
| 7                             | 65  | 51  | 42  | 36  | 63  | 50  | 42  | 49  | 41  | 36  | 33  |   |   |
| 8                             | 60  | 46  | 38  | 32  | 59  | 46  | 38  | 44  | 37  | 32  | 29  |   |   |
| 9                             | 56  | 43  | 34  | 29  | 55  | 42  | 34  | 41  | 34  | 29  | 26  |   |   |
| 10                            | 53  | 39  | 31  | 26  | 51  | 39  | 31  | 38  | 31  | 26  | 24  |   |   |