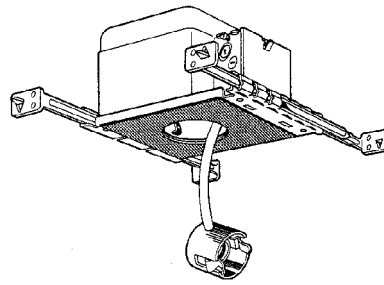
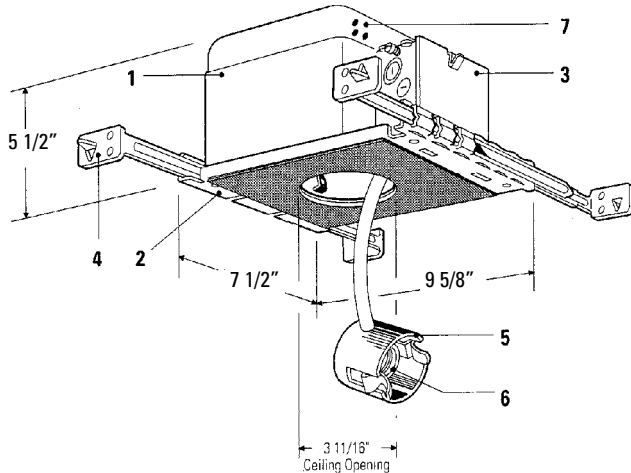


Project: _____
 Location: _____
 Cat.No: _____
 Type: _____
 Lamps: _____ Qty: _____
 Notes: _____



Frame-in Kit



Reflector Trim

Complete Fixture consists of Reflector Trim & Frame-In Kit. Select each separately.

2000AIC	Reflector Trims — See Individual Reflector Trim Specification Sheets						
	Open Downlight			Recessed		Enclosed	Open Wet
	Aperture Cone	Baffles	Satin Cone	Adjustable	Eyeball	Diffuser	Location
	2012	2005	2008	2027	2022	2090	2084WH
	2012NM	2005BNM	2008NM	2027BNM	2022WH		2084CD
	2013	2005WH	2010	2027NM			
	2013NM	2005NM	2010NM	2027WH			
	2013BK			2029WH			
	2013BKNM			2029BK			
	2013CD			2029BKNM			
	2013CDNM			2029CD			
	2013WH			2029CDNM			
	2013WD			2029CLNM			
	2013WDP			2029GD			
				2029GDNM			
				2029CL			

Features

- Housing:** .032" aluminum. UL Listed for direct contact with thermal insulation. AirSeal® Housing minimizes air leakage to less than 2 CFM at 1.57 PSF, which complies with Model Energy Code (Section 602.3.3) and the Washington State Energy Code (Section 502.4) and reduces heat loss and condensation on ceiling. Access door for inspection of junction box.
- Mounting Frame:** .036" (#20 ga.) galvanized steel. Accommodates all ceilings up to 1" thick. Push-in/twist-out rotoclips hold reflector flush to ceiling.
- Junction Box:** 4" X 3 1/2" X 2"; .063" (#14 ga.) galvanized steel. UL listed for maximum of 4 No. 12 ga. 90° C through branch circuit conductors. Access door inside of housing allows easy inspection of wiring without removal of housing.

- Integral cable clamps permit attachment of nonmetallic Romex® or armored cable without need of additional connectors.
- 4. Mounting Bars:** .059" (#16 ga.) galvanized steel. 13" long bars extend to 27" with integral nailing tabs. Attaches to wood joist without need of accessories.
- 5. Socket Housing:** .036" (#20 ga.) galvanized steel.
- 6. Socket:** Porcelain medium base; nickel plated screw shell. Pre-wired with #18 ga. SF1 leads to junction box.
- 7. Thermal Protector:** Meets NEC and UL requirements. Located inside housing

AirSeal® is a registered trademark of Lightolier.
 Romex® is a registered trademark of General Cable Industries Inc.

2000AIC Lytecaster INC 3 3/4"

AirSeal IC frame

Options and Accessories

Mounting Bars:	1964 - 20" set of (2)
T-Bar Ceiling Clips:	1956 - set of (4)
Plaster Ceiling Ring:	1959 - 7/8" depth for wet plaster ceilings
277V Remote Step	7997 - 277V down to 120V
Down Transformer:	300W max. load.
Extra Thick Ceiling	1967C
Mounting Ring:	

Labels

UL (Suitable for Damp Locations) I.B.E.W.

Complies with Air Leakage Requirements as stated in the Model Energy Code and the Washington State Energy Code.

