

Day-Brite CFI

by  Signify

Industrial

Vaporlume LED V2

2' sealed industrial,
2700 lumens



Project: _____
 Location: _____
 Cat.No: _____
 Type: _____
 Lamps: _____ Qty: _____
 Notes: _____

Day-Brite / CFI Vaporlume LED sealed industrial V2 is a specialized wet location, IP rated product designed for use in both indoor and outdoor environments. It is a wet location listed, non-corrosive luminaire available in both fluorescent and LED light sources.

Ordering guide

Example: **V2WAE27L840-2-UNV-TR**

Family	Application	Lens	Hubs Installed	Lumen Package	Color Temp.	Length	Voltage	Options
<input type="text" value="V2"/>	<input type="text" value="W"/>	<input type="text"/>	<input type="text"/>	<input type="text" value="27L"/>	<input type="text"/> – <input type="text"/>	<input type="text" value="2"/> – <input type="text"/>	<input type="text"/> – <input type="text"/>	<input type="text"/>
V2 Vaporlume	W Wet Location	A DR Acrylic P Polycarbonate	E Ends only T Top only B Both ends and top	27L 2700 nominal lumens	830 80 CRI, 3000K 835 80 CRI, 3500K 840 80 CRI, 4000K 850 80 CRI, 5000K	2 2'	UNV Universal Voltage, 120-277V 347' 347V	MD360W Wet location occupancy sensor, external TR Torx T-15 tamper resistant stainless steel latches (TPDTH tamper proof driver required) GLR Fusing, fast blow

Footnotes

1 347V available only for 25°C maximum ambient.

Accessories (order separately)

- **TBK** – Stainless Steel Top Bracket Kit (pair of brackets plus hardware)
- **EBK** – Stainless Steel End Bracket Kit (pair of brackets plus hardware)
- **WBK** – Stainless Steel Wraparound Bracket Kit (pair of brackets)
- **FKR-126** – Chain Hanger Set (requires TBK)
- **TPDTH** – Tamper proof driver, Torx T-15 head pin drive and handle (required with TR option)



V2 Vaporlume LED sealed industrial

2', 2700 lumens

Application

- Ideally suited for use in refrigerated cold storage, industrial, parking garage, and canopy applications.
- Acceptable for outdoor as well as indoor installations.
- Can be surface (wall/ceiling) or suspended mounted unless otherwise specified.
- Wet Location – Areas of high humidity, water vapor, rain, incidental water spray, or other non-corrosive or non-flammable liquid.
- Mounting brackets available, order separately.
- IP65 rating standard.
- LED sources provide excellent low temperature performance. This product can replace a fluorescent model in cold environments with significant energy savings.
- Listed for use in 40°C ambient (347V available only for 25°C maximum ambient).
- NSF Certified for Non-Food Zone Installations.

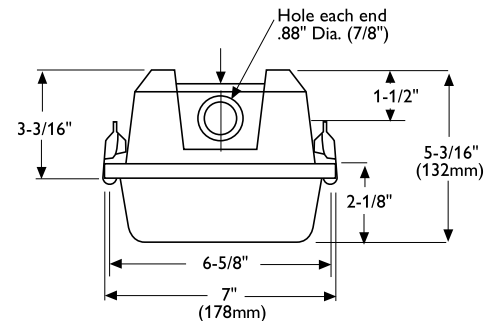
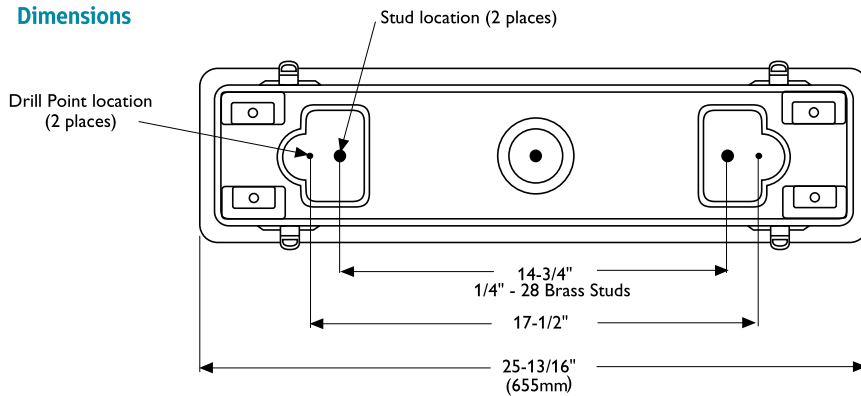
Construction/Finish

- Non-conductive, non-corrosive housing.
- Smooth exterior surface for easy cleaning.
- White one piece, molded fiberglass reinforced polyester body. No rusting, no oxidation, and no corrosion.
- Lens formed from crepe pattern high impact acrylic sheet of .130" nominal thickness.
- Optional polycarbonate lens will not be yellowed by LED sources because they do not produce UV.
- Continuous compressible closed cell gasket provides tight seal between plastic enclosure and luminaire body.
- Stainless steel cam action latches.
- Lighting channel painted after fabrication with polyester powder coating.
- Two gasketed threaded (1/2" trade size) wet location hubs installed on ends.

Electrical

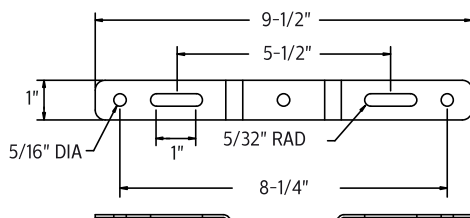
- High efficiency LEDs have 50,000 hour rated life (L70, defined as 70% lumen maintenance).
- Dimming to 5% on 0–10V controls.
- Driver and LED boards are accessible from below. LED boards are individually replaceable if required.
- LED sources provide full illumination in low temperature applications, unlike fluorescent sources that provide reduced light levels in very cold environments.
- LED sources can be frequently switched with no negative impact on life.
- High CRI source provides excellent color rendering.
- Light output from the luminaire contains no infrared or ultraviolet energy, so the light won't heat or fade the objects being lit.
- Available motion sensor further increases energy savings in areas where occupancy is not continuous.
- cETLus listed to UL 1598. Suitable for use in wet locations.
- Five year luminaire warranty including LED boards and driver.

Dimensions

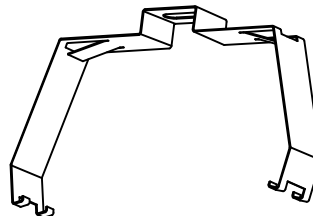


Mounting Brackets

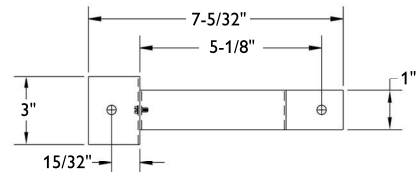
TBK - Top Mounting Bracket



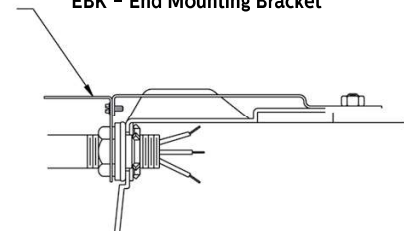
WBK - Wraparound Mounting Bracket



EBK - End Mounting Bracket



EBK - End Mounting Bracket



V2 Vaporlume LED sealed industrial

2', 2700 lumens

2' Vaporlume LED V2, 2700 nominal delivered lumens LER-104

Catalog No. V2WAE27L835-2-UNV Test No. 31212D1 S/MH 1.2 Source LED Input Watts 26 Delivered Lumens 2694	Candlepower				Coefficients of Utilization									
	Angle	End	45	Cross	EFFECTIVE FLOOR CAVITY REFLECTANCE 20 PER (pfc=0.20)									
	0	914	914	914	pcc	80			70			50		
	5	908	904	904	pw	70	50	30	70	50	30	50	30	
	15	884	879	887	RCR									
	25	825	833	827	0	117	117	117	114	114	114	110	110	
	35	727	725	704	1	108	103	98	105	100	95	95	92	
	45	587	572	606	2	97	89	82	94	86	81	82	78	
	55	429	473	512	3	89	78	69	85	77	68	72	67	
	65	271	378	345	4	81	68	60	79	68	59	65	57	
75	147	177	192	5	75	61	53	72	60	52	57	51		
Comparative yearly lighting energy cost per 1000 lumens – \$2.31 based on 3000 hrs. and \$.08 pwr KWH. The photometric results were obtained in the Day-Brite laboratory which is NVLAP accredited by the National Institute of Standards and Technology. Photometric values based upon tests performed in compliance with LM-79.	85	41	60	59	6	68	56	46	67	55	46	53	45	
	95	21	19	18	7	64	51	41	61	50	40	47	40	
	105	22	16	11	8	59	46	38	57	45	36	44	35	
	115	13	17	11	9	56	41	34	54	41	34	40	33	
	125	6	13	13	10	52	39	30	51	38	30	36	29	
	135	3	6	12	Light Distribution				Average Luminance					
	145	1	2	5	Degrees	Lumens	% Luminaire	Angle	End	45°	Cross			
	155	1	1	1	0-30	716	26.5	45	4378	4268	4520			
	165	1	1	1	0-40	1165	43.1	55	3945	4347	4708			
	175	1	1	1	0-60	2046	75.7	65	3387	4717	4309			
				0-90	2629	97.6	75	2997	3610	3912				
							85	2464	3632	3584				

Energy Data

Model	Initial Delivered Lumens @ 25°C Ambient	Input Power	Lumens per Watt	Application notes
V2WAE27L835-2-UNV	2,694	26W	104 LPW	<ul style="list-style-type: none"> Equivalent to 2 lamp F17T8 or 1 lamp F32T8 at room temperature, 15% energy savings. Equivalent to 2 lamp F32T8 in freezer (25°F), 50% energy savings.

