

CHLORIDE

F100 Industrial Duty Emergency Unit (With IntelliCharge)

Installation and Operating Instructions



IMPORTANT SAFEGUARDS

When using electrical equipment, basic safety precautions should always be followed, including the following:

READ AND FOLLOW ALL SAFETY INSTRUCTIONS

- All servicing should be performed by qualified personnel only.
- Equipment should be mounted in locations and at heights where it will not be readily subjected to tampering by unauthorized personnel.
- The use of accessory equipment not recommended by the manufacturer may cause an unsafe condition.
- Do not use this equipment for other than intended use.
- Do not use outdoors.
- Do not let supply cords touch hot surfaces.
- Do not mount near gas or electric heaters.
- Do not mount near open flames or sparks.
- The battery supplied with this equipment is a sealed maintenance free lead calcium battery. Do not attempt to service this battery.

SAVE THESE INSTRUCTIONS

CAUTION: To avoid electrical overload, total connected lamp load (factory and field installed) should not exceed output rating.

WARNING – Shut off AC power to branch circuits to which units will be connected. All wiring should be per N.E.C. Articles 501-4(b) and local codes.

To maintain warranty, equipment with batteries must be installed or placed on charge within prescribed period after shipment.

CHLORIDE

Signify North America Corporation
400 Crossing Blvd, Suite 600
Bridgewater, NJ 08807, USA
Phone: 855-486-2216
www.chloride-lighting.com

Signify Canada Ltd./Signify Canada Ltée.
281 Hillmount Road,
Markham, ON, Canada L6C 2S3
Phone: 800-668-9008

443580516562
July 2022

CHLORIDE

Signify North America Corporation
400 Crossing Blvd, Suite 600
Bridgewater, NJ 08807, USA
Phone: 855-486-2216
www.chloride-lighting.com

Signify Canada Ltd./Signify Canada Ltée.
281 Hillmount Road,
Markham, ON, Canada L6C 2S3
Phone: 800-668-9008

443580516562
July 2022

IMPORTANT: FOR YOUR PROTECTION, YOU MUST CAREFULLY READ ALL WARNINGS AND INSTRUCTIONS IN THEIR ENTIRETY PRIOR TO INSTALLATION, OPERATION, SERVICE OR MAINTENANCE. FAILURE TO DO SO CAN RESULT IN DEATH, PERSONAL INJURY AND PROPERTY DAMAGE. If you do not understand these warnings and instructions, or if additional information is desired, please contact Signify.

- Installation, service and maintenance of luminaires must be performed by a qualified professional and in accordance with all federal, state and local laws, regulations and electrical codes. This professional should be familiar with the construction and operation of this product and any hazards involved. If not qualified, do not attempt installation, service or maintenance.
- To reduce the risk of death, personal injury or property damage from fire, electric shock, falling parts, cuts, abrasions and other hazards, please read all warnings and instructions included with the luminaire, on the luminaire's packaging and affixed to the luminaire itself.
- Maintenance of the luminaires should be performed by person(s) familiar with the luminaire's construction and operation and any hazards involved.



WARNING

RISK OF FIRE, ELECTRIC SHOCK OR PERSONAL INJURY

- Disconnect or turn off power before attempting any installation, service or maintenance.
- Verify that supply voltage is correct by referencing the luminaire label information.
- Make all electrical and ground connections in accordance with the National Electrical Code (NEC) and any other applicable laws, regulations or codes.
- All wiring connections should be capped with UL-approved wire connectors.



WARNING

RISK OF PERSONAL INJURY

- Wear gloves and safety glasses at all times when removing luminaire from carton, installing, servicing or performing maintenance.
- Avoid direct eye exposure to the light source while it is on.



WARNING

RISK OF FIRE OR PERSONAL INJURY

- Keep combustible materials away from LED/lamp & lens
- Do not operate in close proximity to persons, combustible materials or substances affected by heat or drying.



WARNING

RISK OF FIRE, ELECTRIC SHOCK OR PERSONAL INJURY

- Allow LED/lamp & lens to cool before handling.
- Do not touch enclosure or light source
- Do not exceed maximum wattage marked on luminaire label.
- Follow all manufacturer's warnings, recommendations, instructions and restrictions for driver type, burning position, mounting locations and replacement.

**CAUTION****RISK OF PRODUCT DAMAGE**

- Never connect luminaires and/or components under load with supply voltage turned on.
- Equipment should be mounted in locations and at heights where it will not be readily subjected to tampering by unauthorized personnel.
- The use of accessory equipment not recommended by the manufacturer may cause an unsafe condition.
- Do not let supply cords touch hot surfaces.
- Do not mount near gas or electric heaters.
- Use caution when servicing batteries. Battery acid can cause burns to skin and eyes. If acid is spilled on skin or eyes, flush acid with fresh water and contact a physician immediately.
- CAUTION: To avoid electrical overload, total connected lamp load (factory and field installed) should not exceed output rating.
- To maintain warranty, equipment with batteries must be installed or placed on charge within prescribed period after shipment
- Do not mount or support these luminaires in a manner that can cut the outer jacket or damage wire insulation.
- Do not restrict fixture ventilation. Allow for some volume of airspace around luminaire. Avoid covering luminaire with insulation, foam or other material that will prevent convection or conduction cooling.
- Do not exceed luminaire maximum ambient temperature.
- Do not modify the luminaire.
- Only use luminaire in its intended application and location.
- LED products are polarity sensitive. Ensure proper polarity before installation.
- Electrostatic Discharge (ESD) can damage LED. Personal grounding equipment must be worn during all installation and servicing of the luminaire.
- Do not touch individual electrical components as this can cause ESD, shorten LED life, or impact LED performance.
- Some components inside the luminaire may not be serviceable. In the unlikely event your luminaire may require service, stop using it immediately and contact Signify.
- Always read the luminaire's complete installation instructions prior to installation for any additional luminaire specific warnings.
- In the case of HID or Fluorescent luminaires, regular re-lamping is required to keep luminaire operating within safe limits
- **Do not install damaged product.** Handling and installing damaged products can potentially increase the risks mentioned. In case of damage and/or missing parts upon arrival of the luminaire, please contact Signify.
- These instructions do not purport to cover all details or variations in equipment nor to provide every possible contingency to meet in connection with installation, operation or maintenance. Should further information be desired or should particular problems arise which are not covered sufficiently for the purchaser's or owner's purposes, this matter should be referred to Signify.
- Please see luminaire specific Installation and Maintenance Instruction for additional warnings or any applicable FCC or regulatory statements. Failure to follow any of these Instructions could void luminaire warranties.

Luminaire Maintenance

- Regular luminaire maintenance programs are recommended.
- It is recommended to clean the outside of the luminaire and the refractor/lens.
- Frequency of cleaning will depend on ambient dirt level and minimum light output which is acceptable to user.
- If clean water is not sufficient for cleaning, use a neutral, synthetic, not-scratching and not-abrasive cleaning substance.
- Never use alkaline and/or acetous cleaning substances.
- Make sure that the cleaning substance is carefully removed by rinsing with lots of clean water.
- Signify recommends using a cleaning solution that has a PH between 5 and 8.
- Recycle: For information on how to recycle electronic products and components, please visit www.epa.gov

INSTALLATION INSTRUCTIONS

The F100 is intended for surface mounting only and is suitable for 120VAC or 277VAC, 60 Hz operation.

1. Prior to mounting cabinet to wall, back out screws (2) on sides of cabinet enough to swing open cover.
2. Remove hole plugs as needed for installing the lamp heads. (Figure 1)

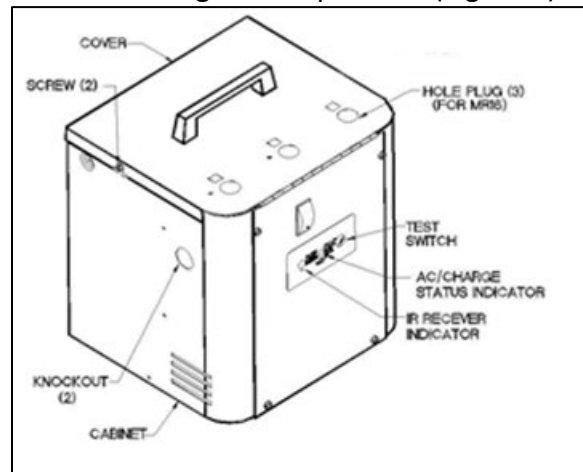


Figure 1

3. Install lamp heads to cover per instructions provided with lamp heads.
4. Connect lamp head leads, one grey lead to one terminal on the lamp head, a white lead to the other terminal. (Figure 4)
5. Remove appropriate knockout located on sides of cabinet to accept AC service.
6. Mount cabinet directly to wall or use optional mounting plate MBF. (Figure 2)

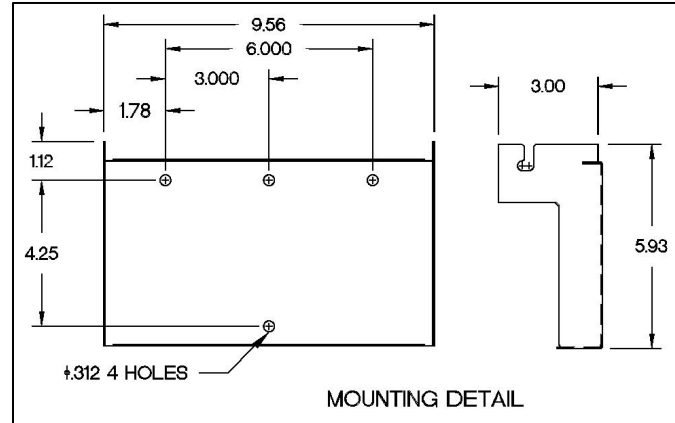


Figure 2

7. Max Mounting Height: 7W/MR16/LED=30 ft.
8. Install batteries in battery chamber. Do not lift batteries by terminals. (Figure 3)
9. Connect Battery leads to the batteries. (Figure 4). **Warning: The unit will be damaged if the batteries are connected improperly.**

CHLORIDE

Signify North America Corporation
400 Crossing Blvd, Suite 600
Bridgewater, NJ 08807, USA
Phone: 855-486-2216
www.chloride-lighting.com

Signify Canada Ltd./Signify Canada Ltée.
281 Hillmount Road,
Markham, ON, Canada L6C 2S3
Phone: 800-668-9008

443580516562
July 2022

10. Hookup AC service to the unit as follows: **Caution: Do not connect AC until battery is installed.**

120 V_{AC} OPERATION

White Wire	- Common
Black Wire	- 120V Line
Blue Wire	- Cap Wire
Green Wire	- Ground

277 V_{AC} OPERATION

White Wire	- Common
Black Wire	- Cap Wire
Blue Wire	- 277V Line
Green Wire	- Ground

OPERATING INSTRUCTIONS

Energize AC power to the unit. The unit will initiate normal power-up sequence (See Normal Power Up Sequence).

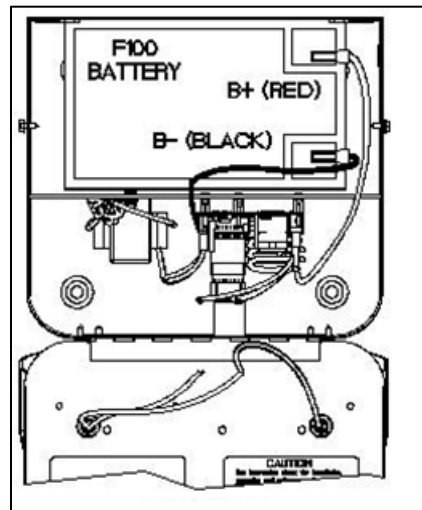


Figure 3

Self-Diagnostic System Operation – Emergency Light or EXIT Sign Products

Normal Power Up Sequence

At power up the red and green LED indicators will alternately flash for one to two seconds. Next the product will execute a “Power Up Quick Test” causing the green LED indicator to flash rapidly. If any faults are detected during the “Power Up Quick Test” these will be evident by a flashing red LED indicator. If the audible diagnostic option has been ordered, the flashing red LED will be accompanied by a simultaneous beeping tone. **(Note: A continuous rapid alternating Red/Green flash with rapid beeping tone indicates 277V applied to 120V input lead. TURN OFF POWER IMMEDIATELY!)**

Emergency Operation

Emergency operation occurs when AC power fails. The product remains in emergency operation until AC power is restored or battery capacity is depleted. During emergency operation both red and green LED indicators are disabled.

CHLORIDE

Signify North America Corporation
400 Crossing Blvd, Suite 600
Bridgewater, NJ 08807, USA
Phone: 855-486-2216
www.chloride-lighting.com

Signify Canada Ltd./Signify Canada Ltée.
281 Hillmount Road,
Markham, ON, Canada L6C 2S3
Phone: 800-668-9008

443580516562
July 2022

User Interface

Green LED indicator

- Slow Flash/Continuous ON = AC power present; normal operating condition
- Rapid Flash = product performing an automatic or manually initiated diagnostic test

Red LED indicator

- Single Flash = battery fault
- Two Flashes = lamp failure (light bar failure – EXIT signs)
- Three Flashes = charger fault
- Four Flashes = transfer fault

(If more than one fault condition is present simultaneously, the red LED will flash the indication pattern for each fault independently then repeat the cycle.)

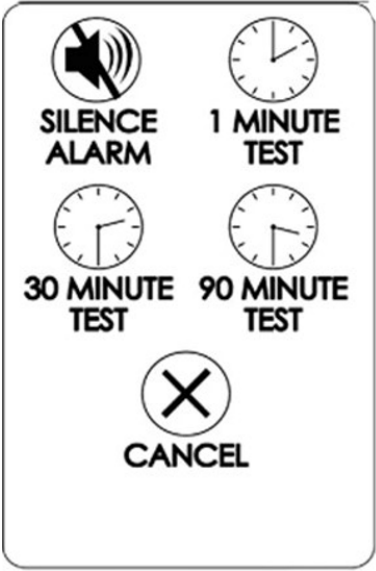
Pushbutton Test Switch

- Long Press (longer than 0.5sec) transfers product to emergency operation during time the button is pressed.
- Short Press initiates self-diagnostic activities as follows:
 - One Press cancels diagnostic test presently running.
 - Two Presses starts a one minute diagnostic test.
 - Three Presses starts a 90 minute diagnostic test.
 - Four Presses conducts a lamp load calibration.
 - Seven Presses initiates a system reset.

(Note: the microprocessor will allow up to seven, one minute diagnostic tests within the first 24 hours of operation. Allow 24 hours of charging before performing any long duration testing.)

Buzzer (optional) – Sounds in unison with the flashing red LED if a fault condition is present. Buzzer may be silenced for up to 196 hours by a short press of either the test switch or the optional IR remote control device “silence” button. Correcting fault condition will cancel fault notification. Lamp failure indication requires a manually activated diagnostic test after lamp replacement to cancel notification.

IR Remote Control (optional) - is a hand held device that allows remote activation of diagnostic testing and silencing of the optional buzzer during fault conditions.

Top View of IR Remote Control	Bottom View of IR Remote Control
	<p>System Reset: Two presses of "SILENCE ALARM" button followed by two presses of "CANCEL" button.</p> <p>Interpretation of Flashing Indicator Lights on Equipment:</p> <p>Green LED Indicator:</p> <ul style="list-style-type: none"> Steady On - Normal Slow Flash - Battery Charging Fast Flash - Unit is self-testing <p>Red LED Indicator:</p> <ul style="list-style-type: none"> Single Flash - Battery Fault Double Flash - Lamp Failure Triple Flash - Charger Fault Quad Flash - Emergency Transfer Failure <p>Red and Green LED Indicators flashing together:</p> <ul style="list-style-type: none"> Slow Flashing - Low Line Voltage Fast Flashing - High Line Voltage <p>Unit Equipment Lamp Calibration Press "Silence Alarm" twice followed by one press of "Cancel" and one press of "Silence Alarm" For Service Call (910)259-1000</p>
<ul style="list-style-type: none"> Press any button for desired action To stop a test, press "Cancel" See label on bottom view for additional information 	

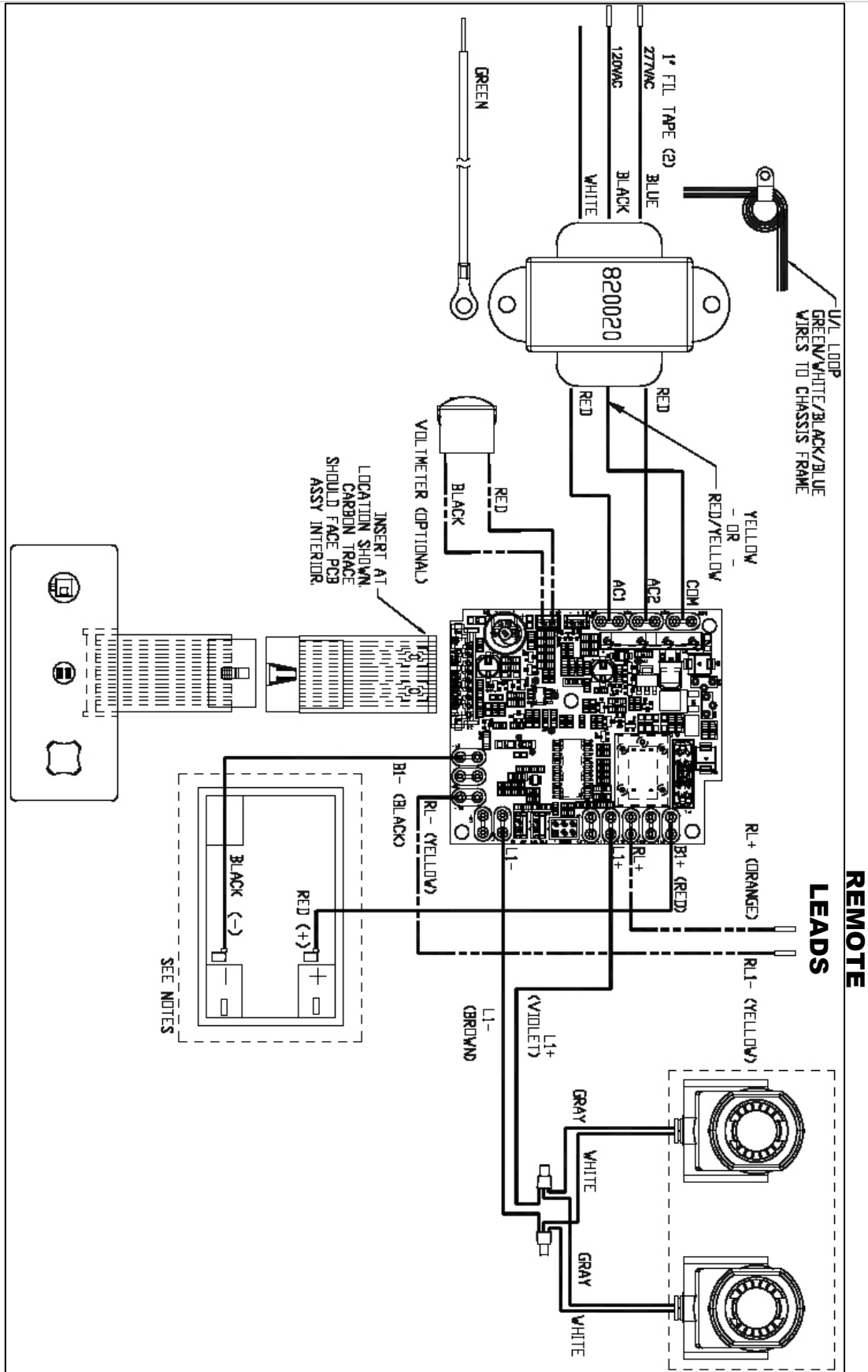


Figure 4