

Figure 1: CPS25 POUR KIT WITH I25 FIXTURE SHOWN. INGROUND FIXTURES SOLD SEPERATELY.



READ THESE INSTRUCTIONS CAREFULLY BEFORE USING THIS CONCRETE POUR KIT.

These instructions do not purport to cover all details or variations in equipment, nor to provide for every possible contingency related to installation, operation, maintenance, or mounting situation. Should specific problems occur that are not addressed by these instructions, contact your distributor or Sales Representative for assistance. Improper installation and/or utilization may void manufacturer's warranty.



CAUTION:

- WARNING:** Do not remove labels from this pour kit. Carefully read all warnings and installation procedures before continuing installation. Failure to follow these instructions will void warranty. DANGER-Fatal shock can occur if electrical equipment is not installed properly. This equipment should only be installed by qualified electricians with proper grounding in accordance with National Electrical Code (NEC).
- The fixture should not be installed in low lying areas or where water may accumulate and stand for long periods of time.
- Do not install fixture within 10 feet (3 meters) of a pool, spa or fountain.

INSTALLATION

- STEP 1: Excavate soil for Concrete Pour Kit placement and conduit runs. Contour the hole to the shape of the Concrete Pour Kit, making sure the kit is placed on a 3" minimum bed of sand / gravel with the soil below. Allow 3" minimum around the kit for concrete to settle.
- STEP 2: To ensure proper drainage, prepare the sand / gravel foundation. The height of the Concrete Pour Kit varies between fixtures (see chart on page 1) and allows space below the fixture. Adjust the depth of the foundation so that the concrete level when poured will be flush with the top of the kit.
- STEP 3: Secure Concrete Pour Kit in final position with re-bar and other anchoring devices (not provided) via the eyebolts (supplied). **Note:** The fixture only sits one way inside the Concrete Pour Kit, see Figure 2.

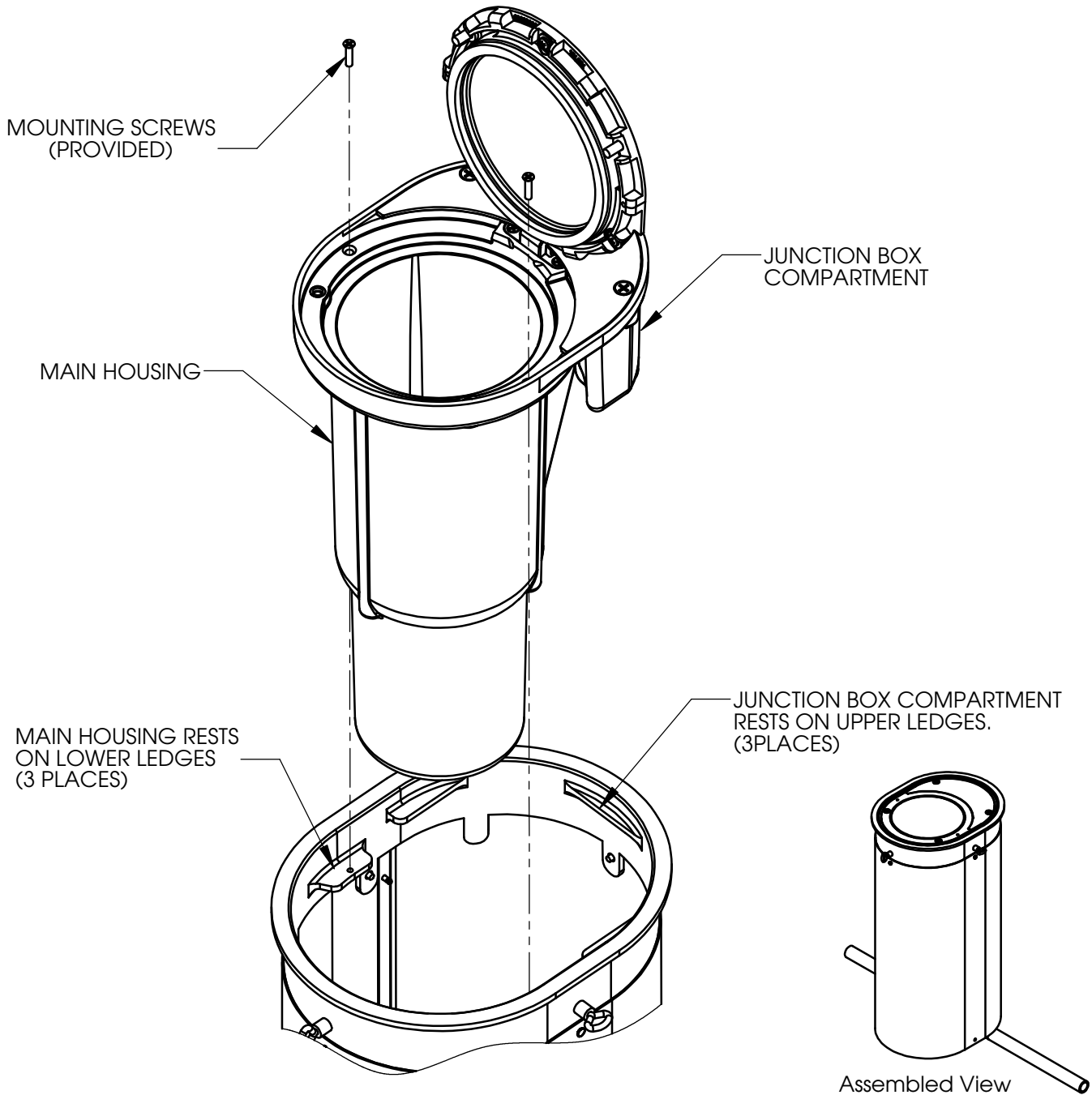


Figure 2: FIXTURE POSITION WITHIN CONCRETE POUR KIT.

- STEP 4: Run sufficient conduit so that it will reach the junction box which is near the top of the fixture, see Figure 1.
- STEP 5: Pour concrete flush with top of Concrete Pour Kit. Remember, Concrete Pour Kit position cannot be altered after pouring concrete.
- STEP 6: Once concrete has set and is completely cured, complete fixture installation according to instruction sheet provided with fixture.

