

Project: _____

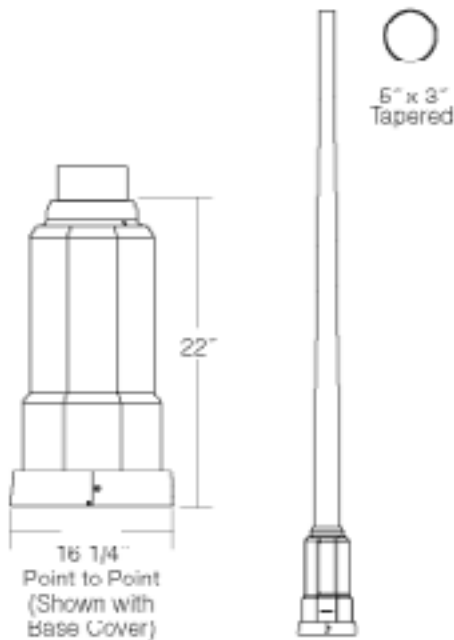
Location: _____

Cat.No: _____

Type: _____

Lamps: _____ Qty: _____

Notes: _____



Ordering Guide

Example: P1711 108 A T D

Product Code	P1711	
Pole Height	108	10' 8"
	128	12' 8"
	148	14' 8"
	168	16' 8"
Finish	A	Black
	B	White
	G	Verde
	H	Bronze
	J	Green
Outlet Location (Optional)	T	12" Down from Top - Aligned with House Side
	B	4" Up from Top of Base - Aligned with House Side
Outlet Options (Optional)	D	Standard Duplex
	G	GFI Duplex

Specifications

HOUSING:

319 Permanent mold aluminum . 413F, Low-Copper cast aluminum. 6005-T5 extruded aluminum. Anchor rods are hot dipped galvanized steel .

FINISH:

A durable polyurethane enamel finish is applied after assemblies are shot blasted to create a surface profile which allows for the highest level of paint adhesion. Laboratory tested for superior weatherability and fade resistance in accordance with ASTM B-117-64 and ANSI/ASTM G53-77 specifications. For larger projects where a custom color is required, contact the factory for more information.

WARRANTY:

Three-year limited warranty.

OUTLET:

Standard Duplex Outlet has universal metal weatherproof cover. Weatherproof while in use. Heavy-duty all-metal construction. Lockable security cover. Meets NEC 406.9 (B). Weather resistant. GFI Duplex Outlet has dual-function indicator light, universal metal weatherproof cover. Weatherproof while in use. Heavy-duty all-metal construction. Lockable security cover. Meets NEC 406.9 (B). Weather resistant.

P1711 P1711

Pole

Specifications

Tenon/Top:

3" OD

Bolt Circle:

(min) 11 3/8" (max) 12 3/4"

Anchor Rods:

(4) 5/8" dia. x 15 3/8"

Base Dimensions:

10 1/2" sq. x 22"

Base Cover:

(Included) 11 1/2" sq. x 2 1/2"

Hand Hole :

7 1/2" x 4"

Shaft:

5" to 3" Tapered

Wall Thickness:

0.125 Aluminum

Height :

10' 8", 12' 8", 14' 8", 16' 8"

Pole EPA Values

Windspeed(mph)	Height			
	10'	12'	14'	16'
80	24.7500	16.2800	13.7400	11.6500
100	15.3900	9.8800	8.1600	6.7100

