

# Day-Brite

## CFI

by  Signify

### Recessed

Arioso LED 2x4

Ribbed acrylic lens, 3800, 4300, 4900, or 7400 lumens



Project: \_\_\_\_\_  
 Location: \_\_\_\_\_  
 Cat.No: \_\_\_\_\_  
 Type: \_\_\_\_\_  
 Lamps: \_\_\_\_\_ Qty: \_\_\_\_\_  
 Notes: \_\_\_\_\_

The Day-Brite / CFI Arioso recessed LED with ribbed acrylic lens offers standard-setting efficiency without aesthetic compromise. These LED luminaires combine state-of-the-art, flexible and globally-recognized LED lighting platforms with proven Arioso optical combinations.

#### Ordering guide

Example: **2AVEG38L835-4-ACR-UNV-DIM**

Width	Family	Ceiling Type	Lumen Package	Color	Length	Shielding	Voltage	Driver	Options
<input type="text" value="2"/>	<input type="text" value="AVE"/>	<input type="text" value="G"/>		—	<input type="text" value="4"/>	<input type="text" value="ACR"/>	—	—	
2 2'	<b>AVE</b> Arioso recessed LED	<b>G</b> 15/16" T-Grid or 9/16" Slot Grid	<b>38L</b> 3800 nominal lumens <b>43L</b> 4300 nominal lumens <b>49L</b> 4900 nominal lumens <b>74L</b> 7400 nominal lumens	<b>835</b> 80 CRI, 3500K <b>840</b> 80 CRI, 4000K	4 4'	<b>ACR</b> 100% frosted ribbed acrylic lens	<b>UNV</b> Universal voltage, 120-277V <b>347</b> 347V	<b>DIM</b> 0-10V dimming Step dimming to 40% input power (not available for 74L lumen package) <b>SDIM</b>	<b>F1</b> 3/8" flex, 3 wire 18 gauge 6' <b>F2</b> 3/8" flex, 4 wire 18 gauge 6' <b>F1/D</b> 3/8" Twin Flex, 3 Wire 18 gauge 6' for dimmable luminaires <b>F2/SW</b> 3/8" Single Flex, 5 Wire 18 gauge 6' for dimmable luminaires <b>GLR</b> Fusing, Fast Blow <b>EMLED</b> Integral emergency battery pack, 1100lm nominal (ballast enclosure on top of luminaire) <b>DSC</b> Quick driver disconnect

#### Accessories (order separately)

- **AVHD** – Hold down clips
- **FMA24** – 2'x4' "F" mounting frame for NEMA "F" mounting
- **1AVE/2AVE-ACR** – replacement lens
- **Electrical wiring options** – Consult factory



# 2AVE Arioso recessed LED ribbed acrylic 2x4

3800, 4300, 4900, or 7400 lumens

## Features

- 100% frosted ribbed acrylic lens provides soft, balanced, direct and reflected light.
- Seamless welded form – curved top and side reflectors formed together without any gaps or visual barriers.
- High performance LED technology capable of delivering up to 7400 lm at 74.9W.
- Multiple lumen outputs available to balance energy savings with lighting application needs.
- Ideal for indoor general area lighting – offices, schools, retail and health care applications.
- High lumen package version available for retail applications (7400 lm at 75W) - provides similar light output to a 3-32W T8 luminaire and 12% energy savings.
- 80+ CRI and excellent color consistency.
- High efficiency LEDs have a minimum 50,000 hour rated life (L70).
- Predicted L70 lifetime based on LED manufacturer’s supplied LM-80 data and in-situ laboratory testing.
- Dimming option available.

## Construction/Finish

- 20 gauge steel housing assembly.
- 95% reflectance baked white acrylic matte paint finish.

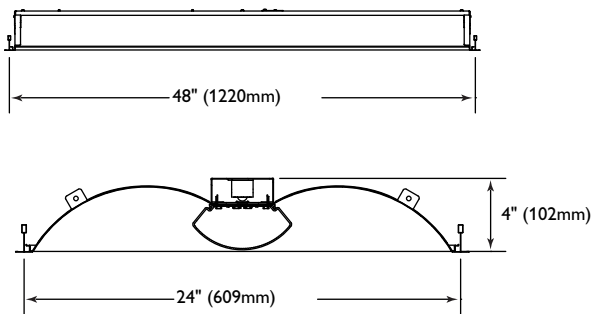
## Electrical

- LED boards and drivers are RoHS (Restriction of Hazardous Substances) compliant. For dimming options, consult factory. LED array and driver accessible from below.
- cCSAus listed.

## Enclosure

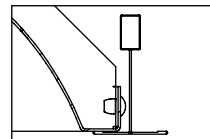
- High performance contoured lens conceals lamp image providing balance between reflected and direct light.

## Dimensions

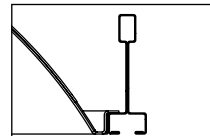


\* EMLED is 1-3/4" (45mm) deeper.

Ceiling compatibility for G type luminaire



Suited to standard exposed 15/16" T-grid ceilings



Suited to standard exposed Slot T-grid ceilings

## Photometry

### Arioso Recessed LED Ribbed Acrylic 2x4, 3800 nominal lumens

LER – 97

<b>Catalog No.</b> 2AVEG38L840-4-ACR <b>Test No.</b> 31664 <b>S/MH</b> 1.3 <b>Lamp Type</b> LED <b>Lumens/Lamp</b> 3920 <b>Input Watts</b> 40.3  Comparative yearly lighting energy cost per 1000 lumens – <b>\$2.47</b> based on 3000 hrs. and \$.08 pwr KWH.	<b>Candlepower</b>				<b>Light Distribution</b>		
	<b>Angle</b>	<b>End</b>	<b>45</b>	<b>Cross</b>	<b>Degrees</b>	<b>Lumens</b>	<b>% Luminaire</b>
0	1345	1345	1345	0-30	1044	26.67	
5	1341	1354	1310	0-40	1702	43.46	
10	1320	1338	1298	0-60	2983	76.19	
15	1284	1307	1268	0-90	3915	100.00	
20	1234	1261	1233				
25	1169	1209	1185				
30	1092	1145	1127				
35	1001	1068	1064				
40	901	986	992				
45	796	903	912				
50	683	799	830				
55	573	699	743				
60	466	604	657				
65	364	507	569				
70	272	416	483				
75	195	332	398				
80	124	246	289				
85	60	136	121				

Coefficients of Utilization								
EFFECTIVE FLOOR CAVITY REFLECTANCE 20 PER (pfc=0.20)								
pcc	80			70			50	
pw	70	50	30	70	50	30	50	30
RCR								
0	.119	.119	.119	.116	.116	.116	.111	.111
1	.109	.104	1.00	.106	.102	.98	.97	.94
2	.99	.92	.85	.97	.90	.83	.86	.81
3	.91	.81	.73	.88	.79	.72	.76	.70
4	.84	.72	.64	.82	.71	.63	.68	.61
5	.77	.65	.56	.75	.63	.55	.61	.54
6	.71	.58	.49	.69	.57	.48	.55	.48
7	.65	.52	.43	.64	.51	.43	.49	.42
8	.61	.47	.39	.59	.46	.38	.45	.38
9	.56	.43	.35	.55	.42	.34	.41	.34
10	.52	.39	.31	.51	.38	.31	.37	.30

# 2AVE Arioso recessed LED ribbed acrylic 2x4

3800, 4300, 4900, or 7400 lumens

## Arioso Recessed LED Ribbed Acrylic 2x4, 4300 nominal lumens

LER – 110

<b>Catalog No.</b> 2AVEG43L840-4-ACR <b>Test No.</b> 31665 <b>S/MH</b> 1.3 <b>Lamp Type</b> LED <b>Lumens/Lamp</b> 4293 <b>Input Watts</b> 39.2  Comparative yearly lighting energy cost per 1000 lumens – <b>\$2.18</b> based on 3000 hrs. and \$.08 pwr KWH.	<b>Candlepower</b>				<b>Light Distribution</b>			
	<b>Angle</b>	<b>End</b>	<b>45</b>	<b>Cross</b>	<b>Degrees</b>	<b>Lumens</b>	<b>% Luminaire</b>	
	0	1478	1478	1478	0-30	1147	26.74	
	5	1477	1489	1433	0-40	1868	43.57	
	10	1454	1472	1420	0-60	3271	76.29	
	15	1415	1437	1387	0-90	4288	100.00	
	20	1359	1387	1348				
	25	1288	1329	1295				
	30	1202	1258	1233				
	35	1102	1174	1163				
	40	992	1084	1085				
	45	872	983	997				
	50	749	877	906				
	55	627	767	810				
	<b>Coefficients of Utilization</b> EFFECTIVE FLOOR CAVITY REFLECTANCE 20 PER (pfc=0.20)							
pcc	80			70			50	
pw	70	50	30	70	50	30	50	30
RCR								
0	.119	.119	.119	.116	.116	.116	.111	.111
1	1.09	1.04	1.00	1.06	1.02	.98	.97	.94
2	.99	.92	.85	.97	.90	.83	.86	.81
3	.91	.81	.73	.88	.79	.72	.76	.70
4	.84	.72	.64	.82	.71	.63	.68	.62
5	.77	.65	.56	.75	.63	.55	.61	.54
6	.71	.58	.49	.69	.57	.49	.55	.48
7	.65	.52	.43	.64	.51	.43	.50	.42
8	.61	.47	.39	.59	.46	.38	.45	.38
9	.56	.43	.35	.55	.42	.34	.41	.34
10	.52	.39	.31	.51	.38	.31	.37	.30

## Arioso Recessed LED Ribbed Acrylic 2x4, 4900 nominal lumens

LER – 110

<b>Catalog No.</b> 2AVEG49L840-4-ACR <b>Test No.</b> 31666 <b>S/MH</b> 1.3 <b>Lamp Type</b> LED <b>Lumens/Lamp</b> 4854 <b>Input Watts</b> 44.1  Comparative yearly lighting energy cost per 1000 lumens – <b>\$2.16</b> based on 3000 hrs. and \$.08 pwr KWH.	<b>Candlepower</b>				<b>Light Distribution</b>			
	<b>Angle</b>	<b>End</b>	<b>45</b>	<b>Cross</b>	<b>Degrees</b>	<b>Lumens</b>	<b>% Luminaire</b>	
	0	1667	1667	1667	0-30	1292	26.66	
	5	1668	1683	1610	0-40	2104	43.39	
	10	1642	1663	1594	0-60	3678	75.87	
	15	1597	1623	1556	0-90	4848	100.00	
	20	1533	1565	1515				
	25	1451	1499	1456				
	30	1352	1417	1387				
	35	1238	1321	1309				
	40	1113	1217	1221				
	45	978	1102	1122				
	50	841	980	1021				
	55	704	856	914				
	<b>Coefficients of Utilization</b> EFFECTIVE FLOOR CAVITY REFLECTANCE 20 PER (pfc=0.20)							
pcc	80			70			50	
pw	70	50	30	70	50	30	50	30
RCR								
0	.119	.119	.119	.116	.116	.116	.111	.111
1	1.09	1.04	.99	1.06	1.02	.97	.97	.94
2	.99	.91	.85	.97	.89	.83	.86	.80
3	.91	.80	.72	.88	.79	.71	.76	.70
4	.84	.72	.63	.82	.71	.63	.68	.61
5	.77	.64	.56	.75	.63	.55	.61	.54
6	.71	.58	.49	.69	.57	.48	.55	.48
7	.65	.52	.43	.64	.51	.43	.49	.42
8	.61	.47	.39	.59	.46	.38	.45	.38
9	.56	.43	.34	.55	.42	.34	.41	.34
10	.52	.39	.31	.51	.38	.31	.37	.30

# 2AVE Arioso recessed LED ribbed acrylic 2x4

3800, 4300, 4900, or 7400 lumens

## Arioso Recessed LED Ribbed Acrylic 2x4, 7400 nominal lumens

## LER – 99

<b>Catalog No.</b>	2AVEG74L840-4-ACR	<b>Candlepower</b>				<b>Light Distribution</b>							
<b>Test No.</b>	31667	<b>Angle</b>	<b>End</b>	<b>45</b>	<b>Cross</b>	<b>Degrees</b>	<b>Lumens</b>	<b>% Luminaire</b>					
<b>S/MH</b>	1.3	0	2560	2560	2560	0-30	1986	26.87					
<b>Lamp Type</b>	LED	5	2563	2587	2468	0-40	3234	43.76					
<b>Lumens/Lamp</b>	7400	10	2523	2556	2446	0-60	5659	76.56					
<b>Input Watts</b>	74.9	15	2453	2495	2390	0-90	7392	100.00					
		20	2355	2406	2325								
		25	2229	2306	2236								
		30	2078	2180	2130								
		35	1902	2034	2013								
		40	1711	1875	1879								
		45	1504	1698	1728								
		50	1291	1512	1573								
		55	1081	1322	1409								
		60	876	1137	1245								
		65	686	956	1077								
		70	512	783	914								
		75	357	626	745								
		80	220	460	492								
		85	105	220	180								
Comparative yearly lighting energy cost per 1000 lumens – \$2.42 based on 3000 hrs. and \$.08 pwr KWH.						<b>Coefficients of Utilization</b>							
						<b>EFFECTIVE FLOOR CAVITY REFLECTANCE 20 PER (pfc=0.20)</b>							
						pcc			70			50	
						pw			70			50	
						RCR			70			50	
						0			116			116	
						1			1.06			1.02	
						2			.97			.90	
						3			.89			.79	
						4			.82			.71	
						5			.75			.64	
						6			.69			.57	
						7			.64			.51	
						8			.59			.46	
						9			.55			.42	
						10			.51			.39	

Catalog Number	Delivered Lumens	Input Watts	Efficacy lm/W	8'x8' avg fc	8'x8' W/sq ft	8'x10' avg fc	8'x10' W/sq ft
2AVEG38L840-4-ACR	3920	40.3	97	61.2	0.63	48.9	0.50
2AVEG43L840-4-ACR	4293	39.2	110	67.0	0.61	53.6	0.49
2AVEG49L840-4-ACR	4854	44.1	110	75.8	0.69	60.6	0.55
2AVEG74L840-4-ACR	7400	74.9	99	115.5	1.17	92.4	0.94

