

Project: _____

Location: _____

Cat.No: _____

Type: _____

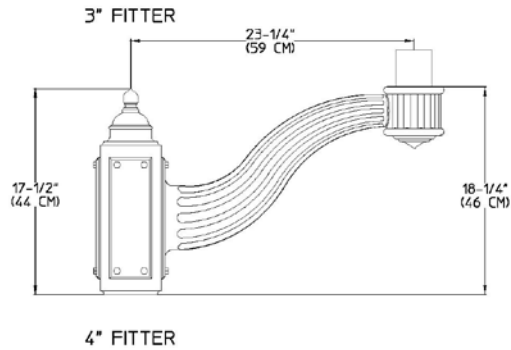
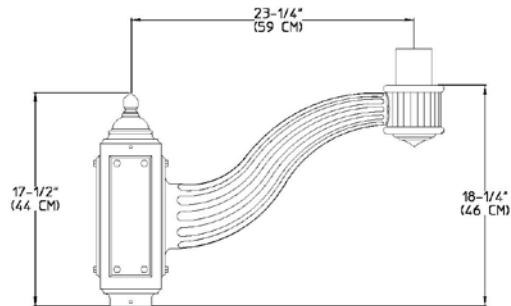
Lamps: _____ Qty: _____

Notes: _____

Ordering Guide

Example: PTH2410 P3 A

Product Code	PTH2410	Single
Post diameter	P3	3" Post Mount
	P4	4" Post Mount
Finish	A	Black
	B	White
	G	Verde
	H	Bronze
	J	Green



Specifications

HOUSING:

356 HM high-strength, low-copper, proprietary cast aluminum alloy .

FINISH:

Thermoset polyester powdercoat is electrostatically applied after a five-stage conversion cleaning process and bonded by heat fusion thermosetting. Laboratory tested for superior weatherability and fade resistance in accordance with ASTM B117 specifications. For larger projects where a custom color is required, contact the factory for more information.

PTH2410 Arm bracket

Single

Specifications

MOUNTING:

Cast Aluminum Hub mounts to a 3" OD x 3" long (P3) [if applicable] or 4" OD x 6 1/2" long (P4) [if applicable] tenon and is secured with at least (3) 5/16"-18 stainless steel set screws.

WARRANTY:

Three-year limited warranty.

Height :

17" (43 cm)

Length:

23 1/4" (59 cm)

EPA:

1.35 sq. ft.

