



TruGroove recessed delivers unrivaled performance and a truly innovative design – making a definitive statement in any architectural space. **TruGroove recessed** corners provide endless opportunities for creative freedom with geometric patterns in walls and ceilings.

TruGroove recessed now includes **AccuRender** technology for the highest color quality at the highest efficacy

Project: _____
 Location: _____
 Cat.No: _____
 Type: _____
 Line ID: _____ Qty: _____
 Notes: _____

Ordering guide

example: 3901L93530QS108DS1RC5W

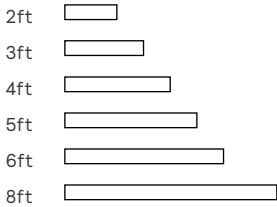
Family	Version	Distribution	Source	CRI/CCT ¹	Lumens ¹	Optics	Housing	Ceiling/Trim	Run Length
39 TruGroove	0 Recessed	1 Performance Symmetric	L LED	950 CRI 90, 5000K	40 4000 lm/4ft	Q Flush MesoOptics Lens	S Standard C Chicago Plenum	1 T-Grid ¹⁷	02 2ft
		8 Performance Asymmetric Wall Wash		940 CRI 90, 4000K	30 3000 lm/4ft	R Regressed MesoOptics Lens		2 Drywall Trimless (Wall Recessed) ^{8,13}	03 3ft
Recessed Patterns ⁷ :		0 Definition Symmetric		935 CRI 90, 3500K	22 2200 lm/4ft	Q Flush MesoOptics Lens		3 Drywall Trimless (Ceiling Recessed)	04 4ft
				930 CRI 90, 3000K	15 1500 lm/4ft				L Flush Silk Lens ⁸
				927 CRI 90, 2700K		M Regressed Silk Lens		4 Drywall Trim	06 6ft
				8T2 CRI 80, 2700-6500K 2ch Tunable White (confirm controls) ⁵				5 Armstrong Formations Clouds ⁹	08 8ft
									XX Continuous run in 1ft increments (please specify length) ¹²
									Recessed Patterns:
									A4 2'x2' Flat Corner (90°)
									K4 2'x2' Outside Corner (90°)
									00 Inside Corner (90° Bracket)
Voltage	Driver	Circuit ^{2,10}	Wiring Option ^{2,10}	System / Controls ^{13,14}		Trim Finish ¹¹			
D UNV 120-277V 3 347V ³	E Advance Xitanium 0-10V (1% Dim)	1 Single Circuit B Dual Circuit A/B (Alt. 4' Sections)	N None B Battery Pack ³ E Aux. Wiring ⁶ G GTD ³ (please specify voltage)	NN None		W Standard White B Black C Custom (please specify color)			
D UNV 120-277V	D Advance Xitanium DALI (5% Dim) ³ H Lutron EcoSystem LDE1 (<1% Dim, Fade-to-Black) ⁴	C Single Circuit + 1 Thru Wire (BP Trigger) ¹⁰ F Single Circuit + 4 Thru Wires (Mains & Dimming) ¹⁰ G Dual Circuit (Up/Down) L Dual Circuit (Up/Down) + 1 Thru Wire (BP Trigger) ¹⁰ J Dual Circuit (Up/Down) + 4 Thru Wires (Mains & Dimming) ¹⁰							
D UNV 120-277V	S Advance Xitanium SR (1% Dim) ³	1 Single Circuit	N None B Battery Pack ³ R UL924 Sensor Bypass Relay ¹⁶	CS Interact Pro scalable wireless sensor with integral daylight & occupancy sensing, advanced grouping with dwell time ^{4,18} SB Interact Pro Enterprise advanced wireless sensor, Integral SC1500 with IoT capabilities for enterprise scale projects ^{4,15,18}					
L Low Voltage (48-54V DC)	P PoE Lighting Controller ¹⁵	1 Single Circuit	N None B Battery Pack	NN None IO Interact Office wired sensor with integral daylighting & occupancy sensing, enables wired connected lighting control ^{4,15} SB Interact Office advanced wired sensor bundle, Integral SC2000 with IoT capabilities for enterprise scale projects ^{4,15}					

TruGroove recessed

Options and dimensions

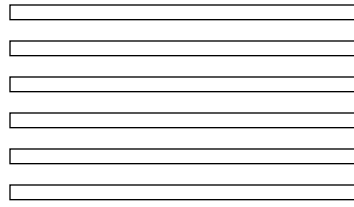
Standalone

Keep it simple with standalone modules, available in 6 standard lengths (consult Ledalite for custom lengths)



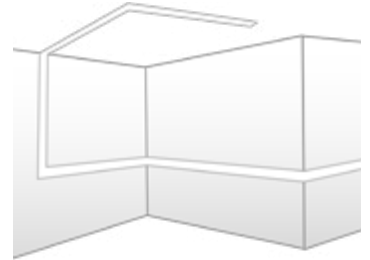
Continuous run

Create an uninterrupted ribbon of light with continuous runs, specifiable to 1/8".



Patterns

Transition from wall to ceiling seamlessly and create any pattern imaginable*.

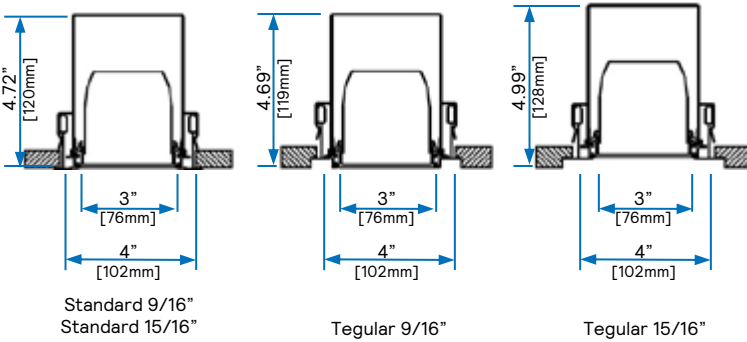


*Inside, outside & flat corners are 90°, contact Ledalite for custom angles.

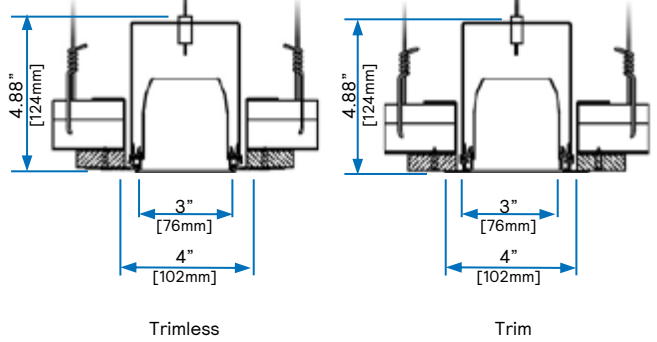
Flush Lens

TruGroove recessed with 3" with Flush MesoOptics or Silk lens.

T-Grid (NEMA types G, NFG, NFSG, SS and Armstrong TechZone 4")



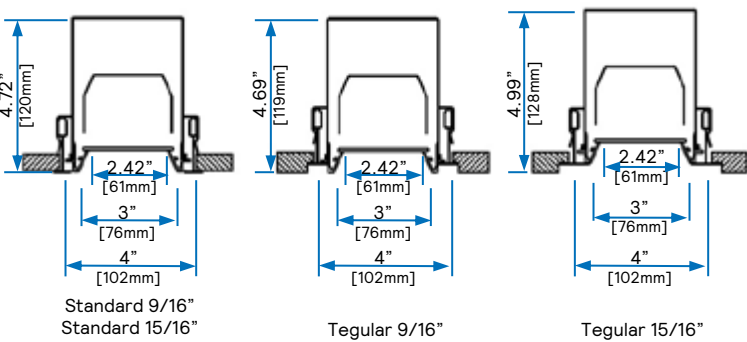
Drywall



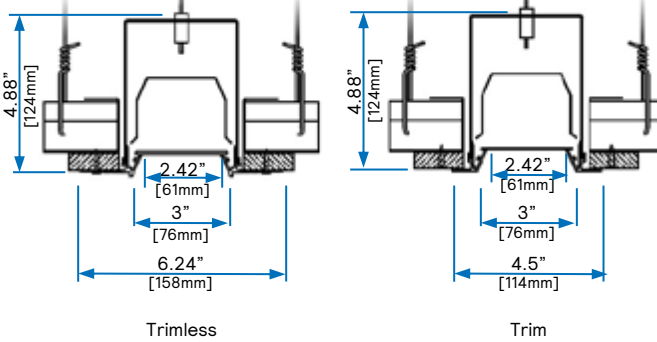
Regressed Lens

TruGroove recessed with Regressed MesoOptics or Silk lens.

T-Grid (NEMA types G, NFG, NFSG, SS and Armstrong TechZone 4")



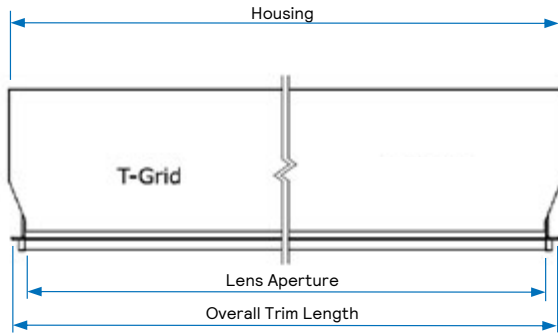
Drywall



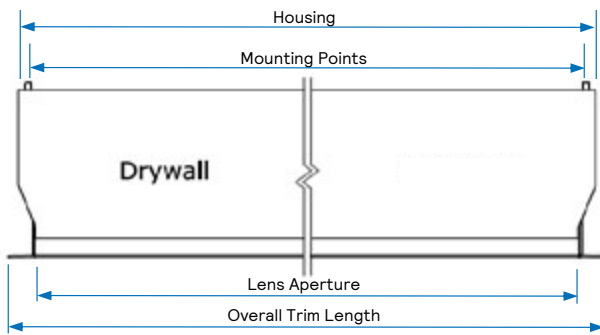
TruGroove recessed

Options and dimensions

Standalone

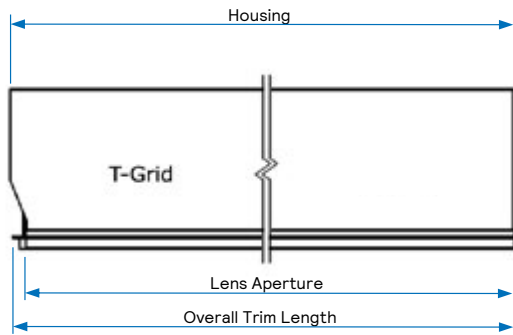


Nominal	Housing	Lens Aperture	T-Grid
2ft	23.9" [607mm]	23.0" [584mm]	23.8" [605mm]
3ft	35.9" [912mm]	35.0" [889mm]	35.8" [909mm]
4ft	47.9" [1217mm]	47.0" [1194mm]	47.8" [1214mm]
5ft	59.9" [1512mm]	59.0" [1499mm]	59.8" [1519mm]
6ft	71.9" [1826mm]	71.0" [1803mm]	71.8" [1824mm]
8ft	95.9" [2436mm]	95.0" [2413mm]	95.8" [2433mm]

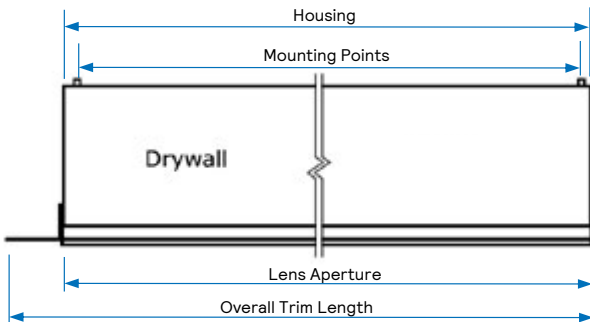


Nominal	Housing	Lens Aperture	Mounting Points	Drywall Trimless	Drywall Trim
2ft	23.9" [607mm]	23.0" [584mm]	23.4" [594mm]	26.4" [670mm]	24.5" [622mm]
3ft	35.9" [912mm]	35.0" [889mm]	35.4" [899mm]	38.4" [975mm]	36.5" [927mm]
4ft	47.9" [1217mm]	47.0" [1194mm]	47.4" [1204mm]	50.4" [1280mm]	48.5" [1232mm]
5ft	59.9" [1512mm]	59.0" [1499mm]	59.4" [1509mm]	62.4" [1585mm]	60.5" [1537mm]
6ft	71.9" [1826mm]	71.0" [1803mm]	71.4" [1814mm]	74.4" [1889mm]	72.5" [1841mm]
8ft	95.9" [2436mm]	95.0" [2413mm]	95.4" [2423mm]	98.4" [2499mm]	96.5" [2451mm]

Continuous run (End Run)



Nominal	Housing	Lens Aperture	T-Grid
2ft	24.0" [610mm]	23.5" [597mm]	23.9" [606mm]
3ft	36.0" [914mm]	35.5" [901mm]	35.9" [910mm]
4ft	48.0" [1219mm]	47.5" [1206mm]	47.9" [1215mm]
5ft	60.0" [1524mm]	59.5" [1511mm]	59.9" [1520mm]
6ft	72.0" [1829mm]	71.5" [1816mm]	71.9" [1825mm]
8ft	96.0" [2438mm]	95.5" [2425mm]	95.9" [2434mm]
Incremental	L	L-0.5" [L-13mm]	L-0.1" [L-3mm]

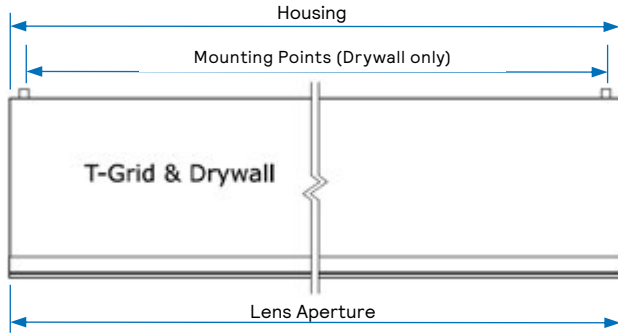


Nominal	Housing	Lens Aperture	Mounting Points	Drywall Trimless	Drywall Trim
2ft	24.0" [610mm]	23.5" [597mm]	23.2" [589mm]	25.7" [670mm]	24.8" [629mm]
3ft	36.0" [914mm]	35.5" [901mm]	35.2" [894mm]	37.7" [975mm]	36.7" [933mm]
4ft	48.0" [1219mm]	47.5" [1206mm]	47.2" [1199mm]	49.7" [1280mm]	48.7" [1238mm]
5ft	60.0" [1524mm]	59.5" [1511mm]	59.2" [1504mm]	61.7" [1585mm]	60.7" [1543mm]
6ft	72.0" [1829mm]	71.5" [1816mm]	71.2" [1809mm]	73.7" [1889mm]	72.8" [1848mm]
8ft	96.0" [2438mm]	95.5" [2425mm]	95.2" [2418mm]	97.7" [2499mm]	96.7" [2457mm]
Incremental	L	L-0.5" [L-13mm]	L-0.8" [L-20mm]	L+1.7" [L-43mm]	L-0.5" [L-19mm]

TruGroove recessed

Options and dimensions

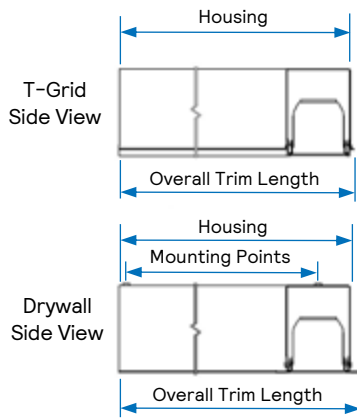
Continuous run (Mid Run)



Nominal	Housing/ Lens Aperture	Mounting Points
2ft	24.0" [610mm]	23.2" [589mm]
3ft	36.0" [914mm]	35.2" [894mm]
4ft	48.0" [1219mm]	47.2" [1199mm]
5ft	60.0" [1524mm]	59.2" [1504mm]
6ft	72.0" [1829mm]	71.2" [1809mm]
8ft	96.0" [2438mm]	95.2" [2418mm]
Incremental	L	L-08" [L-20mm]

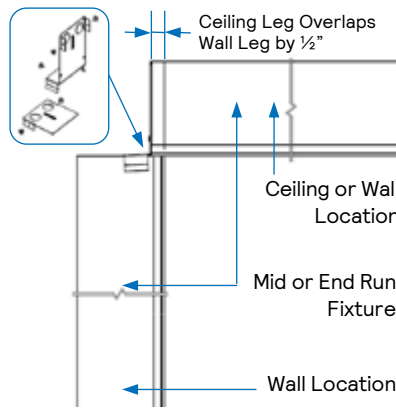
Flat Corner (90°)

Flat corners are 2'x2' and can be used to create ceiling or wall recessed patterns.



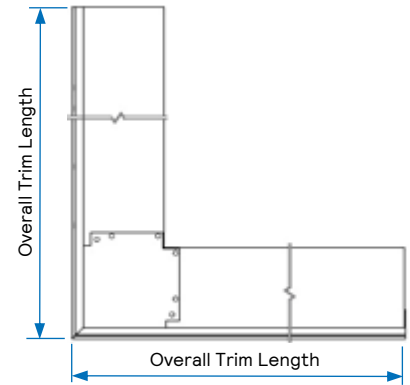
Inside Corner (90° Bracket)

Inside corners use a bracket kit to join a ceiling recessed and wall recessed fixture.



Outside Corner (90°)

Outside corners are used to create patterns around drywall corners.



Nominal	Housing	Mounting Points	T-Grid	Drywall Trimless	Drywall Trim
2ftx2ft Flat	25.7" [653mm]	23.6" [600mm]	25.9" [658mm]	27.1" [689mm]	26.3" [667mm]
2ftx2ft Outside	26.8" [681mm]	N/A	N/A	26.8" [681mm]	N/A

*Inside, outside & flat corners are 90°, contact Ledalite for custom angles.

TruGroove recessed

Optical System

Performance version: Light from the LEDs is reflected and redirected through an optical lens assembly comprising an acrylic extrusion profile and a layer of precision MesoOptics DX film, creating an uninterrupted continuum of light with an optical batwing distribution.

Definition version: Light passes through a diffuse white acrylic lens to deliver a highly uniform luminous continuum.

Housing

Die-formed, 20 gauge cold-rolled steel housing. Multiple upper wire entrances are available for continuous row mounting of fixtures.

Finish

Extruded aluminum trim and die-cast endplates coated with an electrostatically applied, thermally cured polyester powder coat finish.

Mounting

T-Grid: Mounting brackets on housing sides support T-Grid installation in 9/16", 15/16" or slot T-Grid suspension systems (NEMA types G, NFG, NFSG, SS and Armstrong TechZone 4").

Drywall (Ceiling mounted): Ceiling mounted luminaires are available with Drywall Trim or Trimless options. A 1/16" diameter aircraft cable with self-locking, tamper-resistant, miniature cable gripper provides vertical adjustment. The aircraft cable, crimp and gripper have been independently tested to meet stringent safety requirements.

Drywall (Wall mounted): Wall mounted luminaires are only available with the Drywall Trimless option. In a continuous wall to ceiling pattern with an inside corner the ceiling run can use a different trim option if required.

Joints

Self-aligning joining system with hands-free pre-joining wire access.

Weight

Maximum 3.5lbs/ft.

Electrical

Fixtures are factory pre-wired to section ends with quick-wire connectors and tested for all circuits and backup battery packs. LED boards and drivers are easily field replaceable with access from below the ceiling. Optional armored cable flex whips are available in 6' lengths.

Standard Drivers

Advance Xitanium 0-10V, 1% Dimming.
Advance Xitanium DALI, 5% Dimming.
Advance Xitanium Sensor Ready, 1% Dimming.
PoE Lighting Controller (for PoE tunable white).
Lutron EcoSystem LDE1, 1% Dimming with Soft-On and Fade-to-Black.
Class 2 rated output. Consult Ledalite for other available drivers.

Standard Battery Packs

Bodine Battery Pack, 90 min, 10W, Class 2 rated output.
Lumen output = 10W x luminaire efficacy x 1.1. Typical output ~1200lm.

PoE Battery Pack, 90 min, 6W, Class 2 rated output.
Lumen output = 6W x luminaire efficacy. Typical output ~650lm.

Lumen Maintenance

LEDs have been tested by the manufacturer in accordance with IESNA LM-80-15. At an ambient temperature of 25°C, the LED lumen maintenance expectation according to IES TM-21-21 is:
 $L_{80}(10k) > 60,000$ hours (Reported methodology).

Source Color

LEDs rated for color rendering of:
 $CRI R_g \geq 90, R_g \geq 50, G_g \geq 97, C_g \geq 90$
IES TM-30-18: $R_f \geq 90, R_{f,hl} \geq 89, R_g \geq 99, R_{cs,hl} \geq -5\%$

SPD and TM-30-18 reports available upon request

Fixture to fixture color accuracy within:

2 SDCM for Static White luminaires
3 SDCM for Tunable White luminaires

Approvals

Certified to UL, IES & CSA Standards.

City of Chicago Approved CCEA (housing option C).

Type IC Rated.

Environment

Rated for dry or damp locations in operating ambient temperatures of 0-25°C (32-77°F).

Many luminaire components, such as reflectors, refractors, lenses, and LEDs are made from various types of plastics which can be adversely affected by airborne contaminants. If sulfur-based chemicals, petroleum-based products, cleaning solutions, or other contaminants are expected in the intended area of use, consult factory for compatibility. Damage caused by sulfur, chlorine, petroleum-based solution or other contaminants are not covered under warranty. Not suitable for natatorium environments.

Warranty

Five-year luminaire limited warranty including LED boards and driver:
www.signify.com/warranties

QuickShip

10-day QuickShip available for most configurations upon request. More information available at:
www.signify.com/en-us/brands/ledalite/quickship

Wireless Controls Options

Interact Pro scalable sensor for Foundation, Advanced & Enterprise tiers (CS an evolution of SpaceWise):

- CS is a connected sensor with integral occupancy and daylight sensing and supports wireless mesh connectivity.
- The sensor works in the Foundation mode (similar to SpaceWise) when configured without a gateway or in an Interact Pro Advanced or Enterprise mode if a compatible gateway is used.
- Interact Pro includes an App, a portal and a broad portfolio of wireless luminaires, lamps and retrofit kits all working on the same system.
- Startup is implemented via Interact Pro App (Android or iPhone) & Bluetooth connectivity. The App provides flexibility to choose between a gateway or non gateway mode for setup.
- Setup with the gateway requires wired internet access to the gateway. It is possible to add a gateway at a later point.
- Prepare project configuration steps remotely and use IRT9015 remote onsite to identify and group devices together.
- Compatible with UID8451/10 wireless dimmer switch, SWS200 wireless scene switch, wireless Occ sensor (OCC SENSOR IA CM IP42 WH 10/1) and wireless Day/Occ sensor (OCC MULTI SENSOR IA CM WH 10/1).
- For more information on Interact Pro visit:
www.interact-lighting.com/interactproscalablesystem

Emergency Options (R):

- Power Sensing (Factory default) – Recommended
- UL924 option requires unswitched power sense line, absence of voltage on the normal circuit triggers luminaire to 100% output.
- Power Interruption Detection (Field option)
- Detects AC power interruption >30ms triggers 90 minute emergency mode with luminaire at 100% output.

Interact Pro scalable sensor bundles for Enterprise tier (SB):

- SB option, in addition to occupancy and daylight sensing, supports advanced IoT capabilities such as people estimation analysis, desk level temperature & humidity sensing, noise classification, and BLE beacon.
- Compatible with UID8451/10 wireless dimmer switch, SWS200 wireless scene switch, wireless Occ sensor (OCC SENSOR IA CM IP42 WH 10/1) and wireless Day/Occ sensor (OCC MULTI SENSOR IA CM WH 10/1).
- Use Interact software and insights to increase building efficiency, achieve building wide integration and optimize space through occupancy analytics.
- Requires compatible Gateway and internet connectivity for commissioning. For more information, visit:
www.interact-lighting.com/office

Wired Controls Options

Interact Office Wired PoE (IO & SB):

- PoE based IoT connected lighting solution for large enterprises that span across multiple floors, buildings and require multiple gateways.
- Use Interact software and insights to increase building efficiency, achieve building wide integration and optimize space through occupancy analytics.
- Integral sensor option for occupancy sensing (PIR) and/or daylight harvesting available for additional energy savings.
- SB option, in addition to occupancy and daylight sensing, supports advanced IoT capabilities such as people estimation analysis, desk level temperature & humidity sensing, noise classification, and BLE beacon.
- Optional integral emergency controller and battery pack provides backup lighting in the case of a power outage. Test switch and indicator light mounted on the chassis.
- Emergency battery has a 3 month pre-installed shelf life, and must be stored and installed in environments of -20°C to 30°C (-4F to 86F) ambient, and 45-85% relative humidity.
- For more information on Interact Office Wired visit:
www.interact-lighting.com/office

Note: Signify Interact Office Luminaires are not sold individually and are only compatible with Signify's Interact Office control system & software. The system requires a compatible back-end IT infrastructure for normal operations, please consult your Signify representative for additional information.

Tunable White:

- Tunable White is available in Interact Office Wired PoE luminaires. Other control options for Tunable White with DALI (DT6 or DT8), 0-10V, Lutron T Series or DMX control are available via an Engineered-to-Order (ETO) request.
- Signify tunable white solutions are designed to help maximize the influence of lighting on your daily life.
- Dynamic behaviors via scheduled lighting recipes mimicking daylight patterns or supporting biorhythms.
- Scene setting via lighting pre-sets based on various combinations of lighting color temperature and intensity.

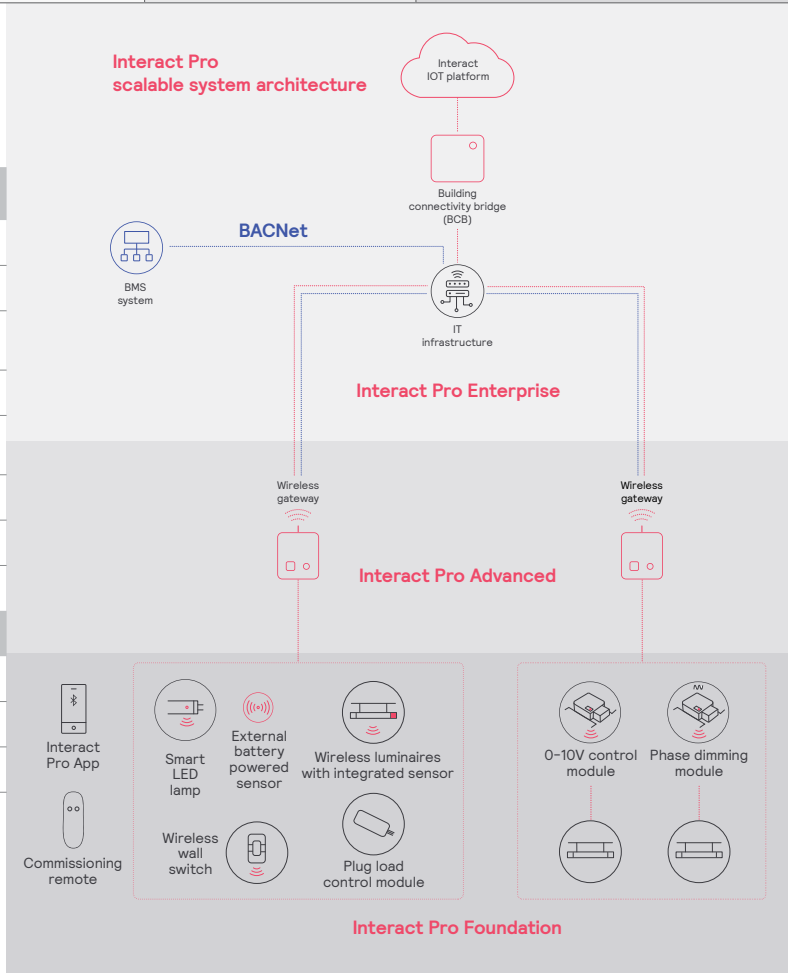
TruGroove recessed

Interact Pro scalable system			
	Foundation	Advanced	Enterprise
Dimming, grouping, and zoning	✓	✓	✓
Bluetooth and ZigBee enabled	✓	✓	✓
Motion sensing and daylight harvesting	✓	✓	✓
Integration with 0-10V and phase dimming fixtures	✓	✓	✓
Code compliance	✓	✓	✓
Granular dimming and dwell time	✓	✓	✓
Energy reporting and monitoring		✓	✓
Scheduling		✓	✓
Demand response		✓	✓
BMS integration (BACnet)			✓
Floor plan visualization			✓
IoT sensors for wellness			✓
IoT Apps for productivity			✓

Currently supported maximum system size

To be able to design the lighting system correctly for the customer, it is important to know the prime characteristics of the system, its possibilities and limitations.

System level	
Total number of gateways	Unlimited
Total number of devices	200 per network
• luminaires with integrated sensors	150
• smart TLEDS	150
Total number of ZGP devices (sensors and switches)	50
• sensors	30
• switches	50
• zones and groups	64
Group level	
Recommended number of lights	40 (recommended 25)
Number of ZGP devices	5
Number of scenes	16



TruGroove recessed

Colorimetry

TruGroove recessed (39xx) AccuRender Static White

Nominal CRI & CCT		CRI 90, 2700K	CRI 90, 3000K	CRI 90, 3500K	CRI 90, 4000K	CRI 90, 5000K
CIE 013.3-1995 ¹	CRI R_a	94	93	93	93	93
	R_s	55	57	59	64	68
	G_a	99	99	99	99	99
	C_g	93	93	93	93	94
IES TM-30-18 ²	R_f	92	91	91	91	90
	R_{f,h_1}	90	90	90	91	89
	R_g	100	100	99	100	100
	R_{cs,h_1}	-6%	-5%	-6%	-5%	-5%
MDER ³		0.45	0.51	0.58	0.65	0.81

1. Color Rendering Index (CRI Ra) and Strong Red (R9) are calculated in accordance with CIE 013.3-1995. Color Gamut index (Ga) and red chroma Index (C9) are CIE based properties using the Global Lighting Association's calculation tool.

2. Fidelity Index (Rf), Red Fidelity Index (Rf,h1), Gamut Index (Rg), and Red Local Chroma Shift (Rcs,h1) are calculated in accordance with IES TM-30-18.-18.

3. Melanopic Daylight Efficacy Ratio (MDER) is the measure for "spectral melanopic efficiency" as defined in CIE S 026-2018.

TruGroove recessed

Photometry

Direct (3901) Performance Symmetric Flush MesoOptic Lens

Click "PDF" or "IES" text to download

Nominal CRI & CCT		CRI 90, 2700K					CRI 90, 3000K					CRI 90, 3500K					CRI 90, 4000K					CRI 90, 5000K				
Nominal Lumen Package (lm/4ft)	Watts	Flux (lm/4ft) ¹	Efficacy (LPW) ¹	UGR ²	Photometry Report	IES File	Flux (lm/4ft) ¹	Efficacy (LPW) ¹	UGR ²	Photometry Report	IES File	Flux (lm/4ft) ¹	Efficacy (LPW) ¹	UGR ²	Photometry Report	IES File	Flux (lm/4ft) ¹	Efficacy (LPW) ¹	UGR ²	Photometry Report	IES File	Flux (lm/4ft) ¹	Efficacy (LPW) ¹	UGR ²	Photometry Report	IES File
4000	41.1	3,750	91.2	23.8	PDF	IES	3,857	93.8	23.9	PDF	IES	4,005	97.4	24.0	PDF	IES	4,062	98.8	24.1	PDF	IES	4,154	101.1	24.1	PDF	IES
3000	29.9	2,825	94.5	22.8	PDF	IES	2,905	97.2	22.9	PDF	IES	3,005	100.5	23.0	PDF	IES	3,053	102.1	23.1	PDF	IES	3,123	104.4	23.2	PDF	IES
2200	22.0	2,066	93.9	21.7	PDF	IES	2,126	96.6	21.8	PDF	IES	2,194	99.7	21.9	PDF	IES	2,231	101.4	22.0	PDF	IES	2,281	103.7	22.1	PDF	IES
1500	14.8	1,419	95.9	20.4	PDF	IES	1,463	98.9	20.5	PDF	IES	1,506	101.8	20.6	PDF	IES	1,534	103.6	20.7	PDF	IES	1,564	105.7	20.8	PDF	IES

Direct (3908) Performance Asymmetric Wall Wash

Click "PDF" or "IES" text to download

Nominal CRI & CCT		CRI 90, 2700K					CRI 90, 3000K					CRI 90, 3500K					CRI 90, 4000K					CRI 90, 5000K				
Nominal Lumen Package (lm/4ft)	Watts	Flux (lm/4ft) ¹	Efficacy (LPW) ¹	UGR ²	Photometry Report	IES File	Flux (lm/4ft) ¹	Efficacy (LPW) ¹	UGR ²	Photometry Report	IES File	Flux (lm/4ft) ¹	Efficacy (LPW) ¹	UGR ²	Photometry Report	IES File	Flux (lm/4ft) ¹	Efficacy (LPW) ¹	UGR ²	Photometry Report	IES File	Flux (lm/4ft) ¹	Efficacy (LPW) ¹	UGR ²	Photometry Report	IES File
4000	41.1	3,196	77.8	22.3	PDF	IES	3,287	80.0	22.4	PDF	IES	3,413	83.0	22.6	PDF	IES	3,462	84.2	22.6	PDF	IES	3,540	86.1	22.7	PDF	IES
3000	29.9	2,408	80.5	21.4	PDF	IES	2,476	82.8	21.5	PDF	IES	2,561	85.7	21.6	PDF	IES	2,602	87.0	21.6	PDF	IES	2,662	89.0	21.7	PDF	IES
2200	22.0	1,761	80.0	20.3	PDF	IES	1,812	82.4	20.4	PDF	IES	1,870	85.0	20.5	PDF	IES	1,902	86.5	20.5	PDF	IES	1,944	88.4	20.6	PDF	IES
1500	14.8	1,209	81.7	19.0	PDF	IES	1,247	84.3	19.1	PDF	IES	1,283	86.7	19.2	PDF	IES	1,307	88.3	19.2	PDF	IES	1,333	90.1	19.3	PDF	IES

Direct (3900) Definition Symmetric Flush Silk Lens

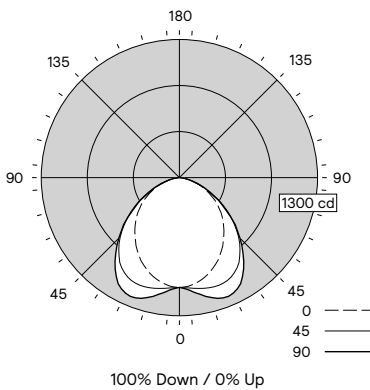
Click "PDF" or "IES" text to download

Nominal CRI & CCT		CRI 90, 2700K					CRI 90, 3000K					CRI 90, 3500K					CRI 90, 4000K					CRI 90, 5000K				
Nominal Lumen Package (lm/4ft)	Watts	Flux (lm/4ft) ¹	Efficacy (LPW) ¹	UGR ²	Photometry Report	IES File	Flux (lm/4ft) ¹	Efficacy (LPW) ¹	UGR ²	Photometry Report	IES File	Flux (lm/4ft) ¹	Efficacy (LPW) ¹	UGR ²	Photometry Report	IES File	Flux (lm/4ft) ¹	Efficacy (LPW) ¹	UGR ²	Photometry Report	IES File	Flux (lm/4ft) ¹	Efficacy (LPW) ¹	UGR ²	Photometry Report	IES File
4000	41.1	3,872	94.2	25.3	PDF	IES	3,982	96.9	25.4	PDF	IES	4,135	100.6	25.5	PDF	IES	4,194	102.0	25.6	PDF	IES	4,289	104.4	25.7	PDF	IES
3000	29.9	2,917	97.6	24.3	PDF	IES	2,999	100.3	24.4	PDF	IES	3,103	103.8	24.5	PDF	IES	3,152	105.4	24.6	PDF	IES	3,225	107.9	24.7	PDF	IES
2200	22.0	2,133	97.0	23.2	PDF	IES	2,195	99.8	23.3	PDF	IES	2,265	103.0	23.4	PDF	IES	2,304	104.7	23.5	PDF	IES	2,355	107.0	23.6	PDF	IES
1500	14.8	1,465	99.0	21.9	PDF	IES	1,510	102.0	22.0	PDF	IES	1,554	105.0	22.1	PDF	IES	1,584	107.0	22.2	PDF	IES	1,615	109.1	22.3	PDF	IES

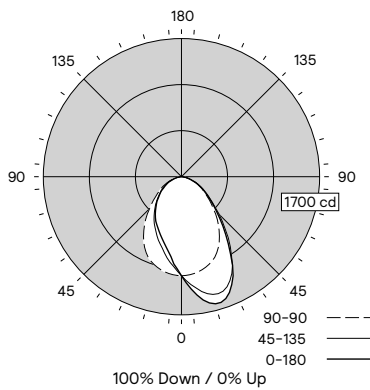
1. 4ft Luminaire photometry has been conducted in accordance with IES LM-79-08. IES files can be downloaded by clicking the links in the table above, or online at ledalite.com. Luminaires with finishes other than standard white may result in a drop in flux and efficacy.

2. Unified Glare Ratio (UGR) is calculated in accordance with CIE 117-1995. Reference conditions of 4Hx8Hx1H and reflectances of 70/50/20% have been applied using the procedure described in CIE 190-2010.

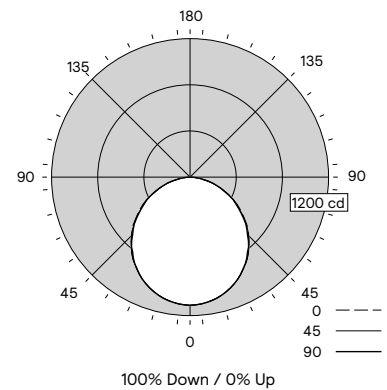
Performance Symmetric Flush MesoOptics Lens
Spacing Criteria: 1.15/1.50



Performance Asymmetric Performance Wall Wash
Spacing Criteria: 1.34/1.15



Performance Symmetric Flush Silk Lens
Spacing Criteria: 1.24/1.23



Candela plots shown are for 3000lm/4ft, CRI 90, 3500K configurations.

TruGroove recessed

Photometry

Direct (3901) Performance Symmetric Regressed MesoOptics Lens

Click "PDF" or "IES" text to download

Nominal CRI & CCT		CRI 90, 2700K					CRI 90, 3000K					CRI 90, 3500K					CRI 90, 4000K					CRI 90, 5000K				
Nominal Lumen Package (lm/4ft)	Watts	Flux (lm/4ft) ¹	Efficacy (LPW) ¹	UGR ²	Photometry Report	IES File	Flux (lm/4ft) ¹	Efficacy (LPW) ¹	UGR ²	Photometry Report	IES File	Flux (lm/4ft) ¹	Efficacy (LPW) ¹	UGR ²	Photometry Report	IES File	Flux (lm/4ft) ¹	Efficacy (LPW) ¹	UGR ²	Photometry Report	IES File	Flux (lm/4ft) ¹	Efficacy (LPW) ¹	UGR ²	Photometry Report	IES File
4000	41.1	3,261	79.3	23.1	PDF	IES	3,354	81.6	23.2	PDF	IES	3,482	84.7	23.3	PDF	IES	3,532	85.9	23.4	PDF	IES	3,612	87.9	23.5	PDF	IES
3000	29.9	2,457	82.2	22.1	PDF	IES	2,526	84.5	22.2	PDF	IES	2,613	87.4	22.3	PDF	IES	2,655	88.8	22.4	PDF	IES	2,716	90.8	22.5	PDF	IES
2200	22.0	1,796	81.6	21.0	PDF	IES	1,849	84.0	21.1	PDF	IES	1,907	86.7	21.2	PDF	IES	1,940	88.2	21.3	PDF	IES	1,983	90.1	21.4	PDF	IES
1500	14.8	1,234	83.4	19.7	PDF	IES	1,272	85.9	19.8	PDF	IES	1,309	88.4	19.9	PDF	IES	1,334	90.1	20.0	PDF	IES	1,360	91.9	20.1	PDF	IES

Direct (3900) Definition Symmetric Regress Silk Lens

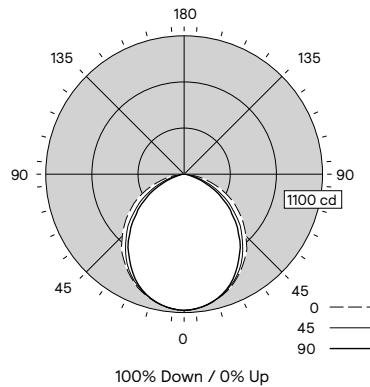
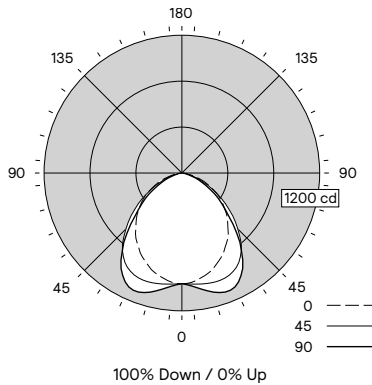
Click "PDF" or "IES" text to download

Nominal CRI & CCT		CRI 90, 2700K					CRI 90, 3000K					CRI 90, 3500K					CRI 90, 4000K					CRI 90, 5000K				
Nominal Lumen Package (lm/4ft)	Watts	Flux (lm/4ft) ¹	Efficacy (LPW) ¹	UGR ²	Photometry Report	IES File	Flux (lm/4ft) ¹	Efficacy (LPW) ¹	UGR ²	Photometry Report	IES File	Flux (lm/4ft) ¹	Efficacy (LPW) ¹	UGR ²	Photometry Report	IES File	Flux (lm/4ft) ¹	Efficacy (LPW) ¹	UGR ²	Photometry Report	IES File	Flux (lm/4ft) ¹	Efficacy (LPW) ¹	UGR ²	Photometry Report	IES File
4000	41.1	3,373	82.1	24.8	PDF	IES	3,469	84.4	24.9	PDF	IES	3,602	87.6	25.1	PDF	IES	3,654	88.9	25.1	PDF	IES	3,736	90.9	25.2	PDF	IES
3000	29.9	2,541	85.0	23.8	PDF	IES	2,613	87.4	23.9	PDF	IES	2,703	90.4	24.1	PDF	IES	2,746	91.8	24.1	PDF	IES	2,809	93.9	24.2	PDF	IES
2200	22.0	1,858	84.5	22.8	PDF	IES	1,912	86.9	22.9	PDF	IES	1,973	89.7	23.0	PDF	IES	2,007	91.2	23.0	PDF	IES	2,051	93.2	23.1	PDF	IES
1500	14.8	1,276	86.2	21.4	PDF	IES	1,316	88.9	21.6	PDF	IES	1,354	91.5	21.7	PDF	IES	1,380	93.2	21.7	PDF	IES	1,407	95.1	21.8	PDF	IES

1. 4ft Luminaire photometry has been conducted in accordance with IES LM-79-08. IES files can be downloaded by clicking the links in the table above, or online at ledalite.com. Luminaires with finishes other than standard white may result in a drop in flux and efficacy.
2. Unified Glare Ratio (UGR) is calculated in accordance with CIE 117-1995. Reference conditions of 4Hx8Hx1H and reflectances of 70/50/20% have been applied using the procedure described in CIE 190-2010.

Performance Symmetric Regress MesoOptics Lens Spacing Criteria: 1.17/1.44

Definition Symmetric Regress Silk Lens Spacing Criteria: 1.23/1.17



Candela plots shown are for 3000lm/4ft, CRI 90, 3500K configurations.

Footnotes from page 1 ordering guide

1. Nominal values within a range. Not all lumen packages are available with all configurations. Consult photometry data for CRI, color temp, lumens & distribution of chosen configuration.
2. Not all wiring types are available with all configurations. Consult Ledalite for a complete list of available options.
3. 347V not available with Battery Pack, GTD, DALI, Lutron EcoSystem or Sensor Ready drivers or Interact Pro options. Battery packs available in modules > 4ft (lumen package limits may apply, check with Ledalite).
4. Interact Pro & Interact Office Wired (PoE) options require separate controls hardware by Signify.
5. Tunable White is available in Interact Office Wired PoE luminaires. Please enquire about options for Tunable White with DALI (DT6 or DT8), 0-10V, Lutron T Series or DMX control (extended lead times may apply).
6. Auxiliary Wiring not available with Interact Pro or Interact Office Wired (PoE) luminaires. Aux sections are wired to one fixture end only.
7. When specifying a TruGroove recessed corner or pattern, please specify the type of corner. Inside, outside & flat corners are 90°, please enquire about options for custom angles and intersections (extended lead times may apply).
8. Drywall Trimless (Wall recessed) fixtures are only available in the Definition Symmetric version with Flush Silk Lens optics.
9. Armstrong Formations Clouds have been specifically designed for the integration of Ledalite TruGroove recessed luminaires in 6', 8', or 10' lengths.
10. Luminaires are pre-wired to both ends with quick wire connectors at one end for standard circuit & battery pack trigger wire (if applicable). Each circuit has its own neutral conductor. All circuits are clearly labelled at each end. Thru Wire options can provide either one additional set of (4) power and dimming wires (Black/White/Purple/Grey or Pink) or one additional battery pack trigger wire (Orange) through a selected module, please consult factory for other Thru Wire options.
11. Standard finish is white or black, please consult factory for custom trim finishes.
12. Available in continuous run lengths from 6ft, in increments as small as 1/8in for 1500lm/4ft & 2200lm/4ft symmetric configurations. All 3000lm/4ft, 4000lm/4ft and asymmetric configurations can be specified in 1ft increments.
13. Integral sensors not available with asymmetric, regressed lens or wall recessed options. Please enquire about options for remote sensors (extended lead times may apply).
14. Integral sensors only allowed at ends of runs. Mid run sensors will be provided in remote mounts. Sensors are only available in white, but can be combined with any luminaire finish.
15. This option is available on request. Other options not shown here may also be possible via a custom request. Extended lead times and minimum order quantities may apply, please consult factory.
16. UL924 listed sensor bypass relay is only available in modules ≥ 4ft and is factory installed between driver & sensor. Must be ordered with an integral sensing option. Must be installed in conjunction with a UL1008 device.
17. TruGroove's universal T-Grid mount option is compatible with numerous ceiling grid styles, including NEMA Type G, NFG, NFSG, SS and Armstrong TechZone 4".
18. Must order IRT9015 Interact commissioning remote with each system order.
Note: Due to continuing product improvements, Ledalite reserves the right to change the specifications without notice.

