



**TruGroove recessed** delivers unrivaled performance and a truly innovative design – making a definitive statement in any architectural space. **TruGroove recessed** corners provide endless opportunities for creative freedom with geometric patterns in walls and ceilings.

**TruGroove recessed** includes **AccuRender** technology for the highest color quality at the highest efficacy.

Project: \_\_\_\_\_  
 Location: \_\_\_\_\_  
 Cat.No: \_\_\_\_\_  
 Type: \_\_\_\_\_  
 Line ID: \_\_\_\_\_ Qty: \_\_\_\_\_  
 Notes: \_\_\_\_\_

### Ordering guide<sup>12</sup>

Example: 3901L93550QS108DS1NCSW

Family	Version <sup>4</sup>	Distribution* <sup>1</sup>	Source	CRI/CCT <sup>1,3,5</sup>	Lumens lm/4ft <sup>1</sup>	Lens Optics*	Housing <sup>2</sup>	Ceiling/Trim*	Length <sup>4</sup>
39			L						
39	TruGroove	0 Recessed linear	L LED	927 90+/2700K 930 90+/3000K 935 90+/3500K 940 90+/4000K 950 90+/5000K	60 6000lm 50 5000lm 40 4000lm 30 3000lm 22 2200lm 15 1500lm	Q Flush MesoOptics lens R Regressed MesoOptics lens Q Flush MesoOptics lens	S Standard C Chicago plenum	1 T-Grid 2 Drywall trimless (Wall recessed) 3 Drywall trimless (Ceiling recessed) 4 Drywall trim 5 Armstrong formation cloud	02 2ft 03 3ft 04 4ft 05 5ft 06 6ft 08 8ft XX Continuous run (specify length)
		Recessed Pattern	8 Performance asymmetric wall wash						Recessed Pattern
		A Flat corner (90°)	0 Definition symmetric	9T2 90+/2700-6500K BIO 80+/2700-5000K		L Flush silk lens M Regressed silk lens			A4 Flat corner (90°) AI Inside grid corner AO Outside grid corner K4 Outside wall corner (90°) 00 Inside wall corner (bracket)
		K Outside corner (90°)							
		G Inside corner (90° bracket)							

**\*Notes:**  
 T-Grid mount option is compatible with NEMA Type G, NFG, NFSG, SS and Armstrong TechZone 4".  
 Drywall trimless (wall recessed) fixtures are only available in the Definition Symmetric distribution (0), with Flush Silk lens optics (L).  
 Armstrong Formations Clouds have been specifically designed for the integration of Ledalite TruGroove recessed luminaires in 6 ft, 8 ft, or 10 ft lengths.  
 Continuous run lengths available from 6ft, in increments as small as 1/8in. Increments ≥1ft up to 6000lm/4ft (TYPE NON-IC) or up to 5000lm/4ft (TYPE IC). Increments <1ft up to 4000lm/4ft (TYPE IC).

Voltage <sup>5</sup>	Driver† <sup>3, 5, 10</sup>	Circuit <sup>6,7,8</sup>	Wiring† <sup>1,6,7,8,9,11</sup>	Systems/Controls† <sup>10</sup>	Trim Finish
D UNV 120-277V 3 347V	E Advance Xitanium 0-10V (1% Dim)	1 Single circuit B Dual circuit A/B (alt. 4' sections) C Single circuit + 1 thru wire F Single circuit + 4 thru wires H Dual circuit A/B + 1 thru wire	N None B Battery pack E Aux. Wiring G GTD 120V H GTD 277V	NN None	W Standard white B Midnight black C Custom (specify color)
D UNV 120-277V	D Advance Xitanium DALI-2 (5% Dim) H Lutron EcoSystem LDE1 (<1% Dim, Fade-to-Black)	1 Single circuit C Single circuit + 1 thru wire	N None B Battery pack R UL924 sensor bypass relay	NN None RA Interact RADIO only node CS Interact wireless day & occ. sensor SB Interact advanced wireless sensor bundle	
D UNV 120-277V	S Advance Xitanium SR, DALI-2 D4i (1% Dim)	1 Single circuit C Single circuit + 1 thru wire			
D UNV 120-277V	F Advance FlexTune 2ch SR, DALI-2 (1% Dim) 2 0-10V 2ch (0.1% Dim) 6 DALI-2 DT6 2ch (0.1% Dim) 8 DALI-2 DT8 2ch (0.1% Dim)				

**† Notes:**  
 UL924 listed sensor bypass relay only available in fixtures ≥ 4ft and is factory installed between driver & sensor. Must be ordered with an integral sensing option. Must be installed in conjunction with a UL1008 device.  
 Interact sensors can only be combined with SR driver types S & F. Must select NN for Systems/Controls options with all other driver types.  
 Integral sensors only available at end of run in flush lens ceiling fixtures. For other fixture configurations please enquire about options for remote mount sensors (confirm recessed or surface sensor mounting).  
 Integral sensor colour can be white or black to match trim finish. Remote sensors and mounting are white only.  
 Signify sensor options shown in the order guide. Third party sensors also available, please enquire about options for Lutron Athena, Vive, or others.

#### Footnotes

- Nominal values within a range. Some lumen packages not available in all configurations, consult photometry data for CRI/CCT (static & tunable white), lumens & distribution of chosen configuration.
- Standard and Chicago Plenum Housings available upto 6000lm/4ft (TYPE NON-IC) or upto 5000lm/4ft (TYPE IC). See order guide notes above.
- Tunable White & BioUp only available with Advance FlexTune 2ch SR, 0-10V 2ch, DALI-2 (DT6 or DT8) drivers. Please enquire about options for Lutron or DMX (extended lead times may apply).
- Standard TruGroove recessed Flat, Inside and Outside Corners are nominally 2ftx2ft and 90°. Please inquire about options for custom angles & intersections (extended lead times may apply).
- 347V Only available with static white 0-10V options, not available with GTD or Battery Packs.
- Some circuit/wiring options not available in all configurations, consult Ledalite for available options.
- Luminaires are pre-wired to ends with quick wire connectors at one end for standard circuit & battery pack trigger wire (if applicable). Each circuit has its own neutral conductor. All circuits are clearly labelled at each end.
- Through-wire options provide either one additional set of (4) power and dimming wires (Black/White/Purple/Pink or Brown) or one additional battery pack trigger wire (Orange) through a selected module. Please enquire for other through-wire options (extended lead times may apply).
- Auxiliary & GTD wiring not available in Interact Pro luminaires. Auxiliary sections are wired to one fixture end only.
- Interact sensor control only available when selecting a Sensor Ready driver option. Interact Pro options may require an IRT9015 Interact commissioning remote or other separate controls hardware by Signify.
- Battery packs available in modules ≥4ft (lumen package limits may apply, check with Ledalite).
- Other options not shown here may also be possible via a custom request, please consult factory. Extended lead times and minimum order quantities may apply.  
**Note:** Due to continuing product improvements, Ledalite reserves the right to change the specifications without notice.  
**DLC Note:** Not all product variations are DLC qualified. To ensure that a specific model is qualified, please enter "RRRYKC" in the search field here: <https://qpl.designlights.org/qpl/solid-state-lighting>

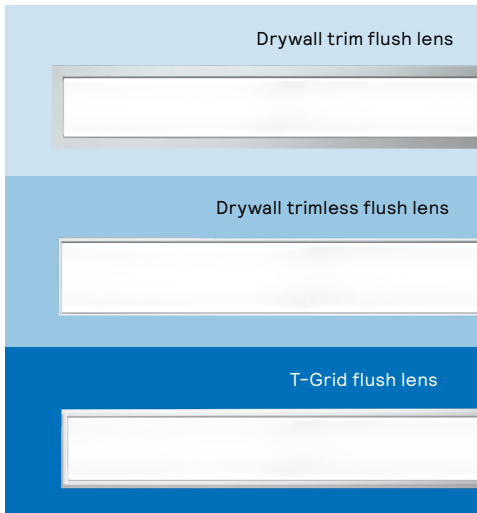
# TruGroove recessed



TruGroove recessed comprises a seamless 3" wide ribbon of light with exceptional performance and versatility for functional and decorative linear rows or fully illuminated patterns.

Find the TruGroove recessed family by scanning or clicking the QR code.

## Trims



## Finishes



**Note:** Colors above are a representation, due to monitor calibration or printing process they may differ from luminaire powder coat finish.

## Options

### Standalone

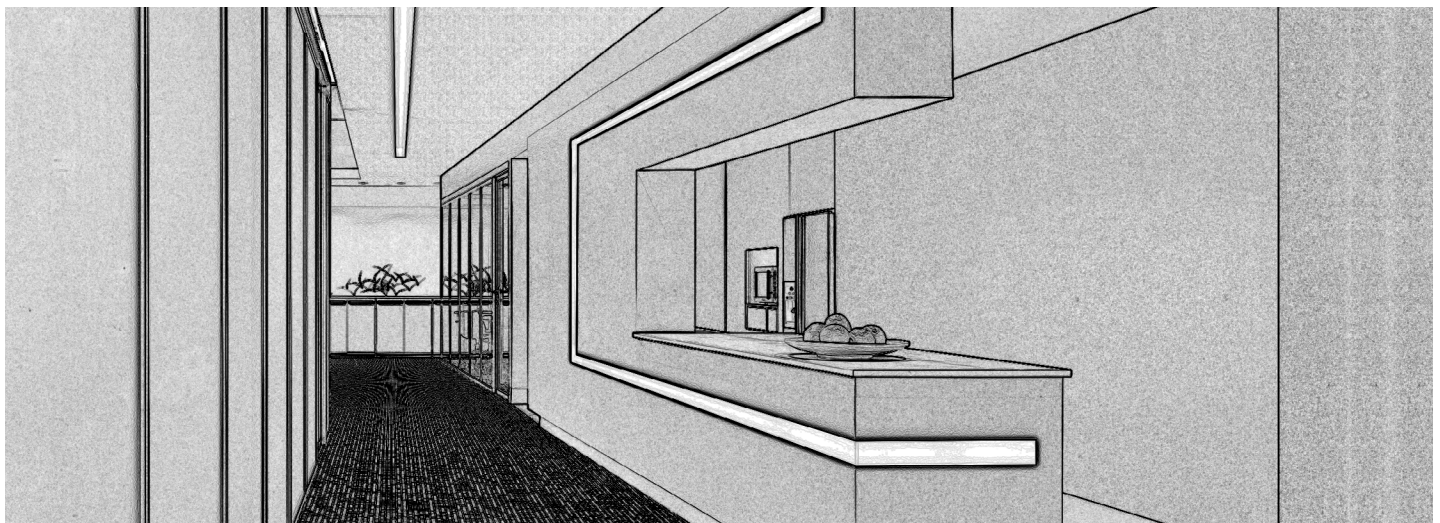
Keep it simple with standalone modules, available in 6 standard lengths. Consult Ledalite for custom lengths (extended lead times may apply).

### Continuous runs

Create an uninterrupted ribbon of light with continuous runs, specifiable to 1/8".

### Patterns

Transition from wall to ceiling seamlessly creating unique patterns in the horizontal and vertical planes with the available 90° flat, inside, or outside corners. Contact Ledalite for other custom angles and intersections (extended lead times may apply).

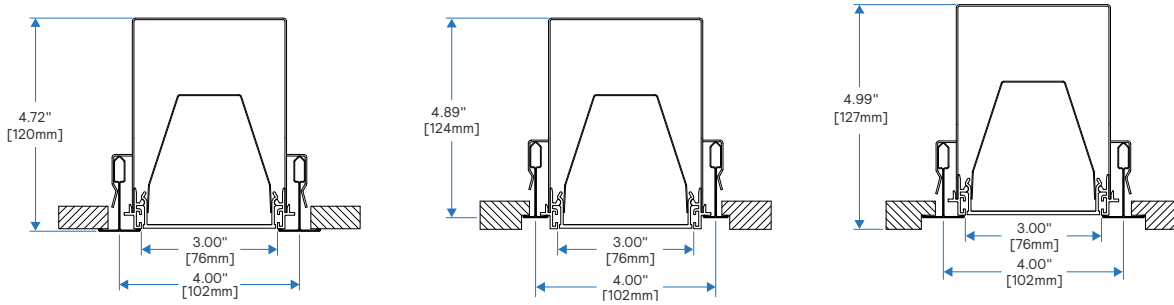


# TruGroove recessed

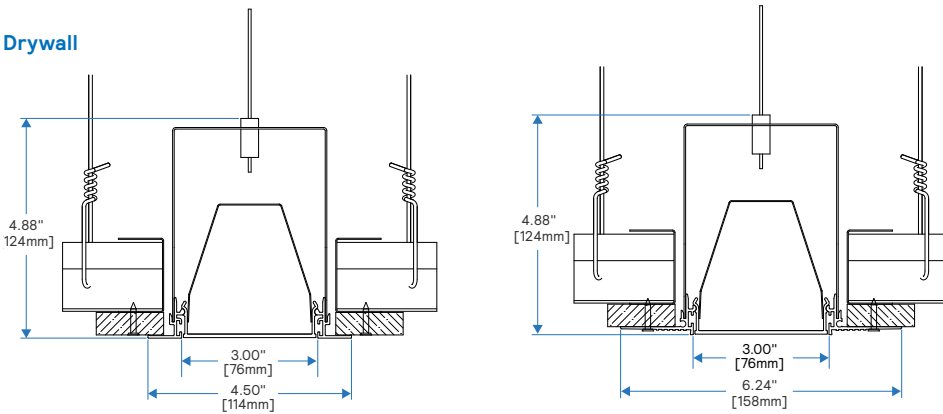
## Dimensions

**Cross Section View | TruGroove recessed with 3" with Flush MesoOptics or Silk lens.**

T-Grid (NEMA types G, NFG, NFSG, SS and Armstrong TechZone 4")

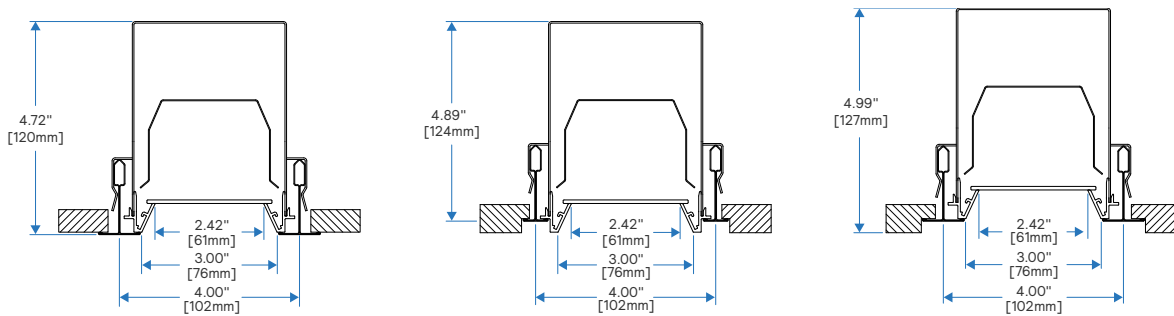


### Drywall

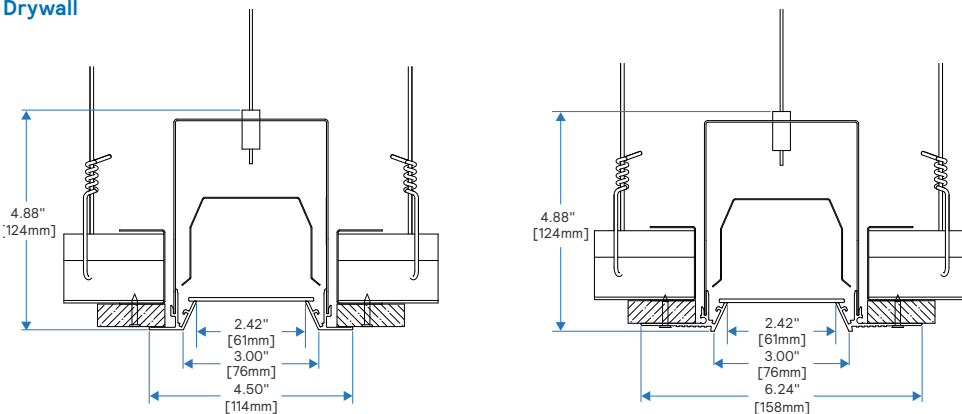


**Regressed Lens | TruGroove recessed with Regressed MesoOptics or Silk lens.**

T-Grid (NEMA types G, NFG, NFSG, SS and Armstrong TechZone 4")



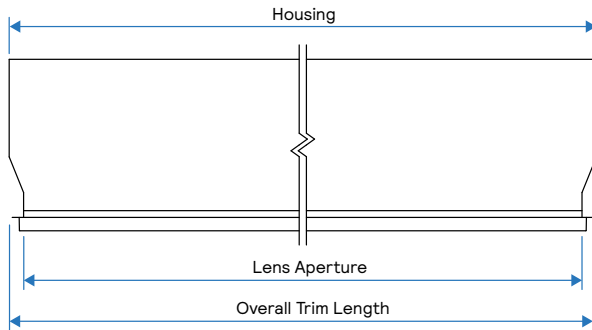
### Drywall



# TruGroove recessed

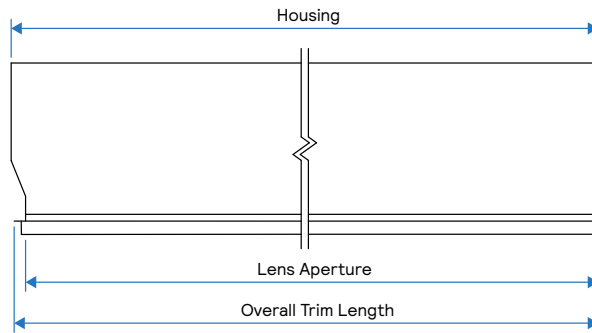
## Side Views: T-Grid

### Standalone



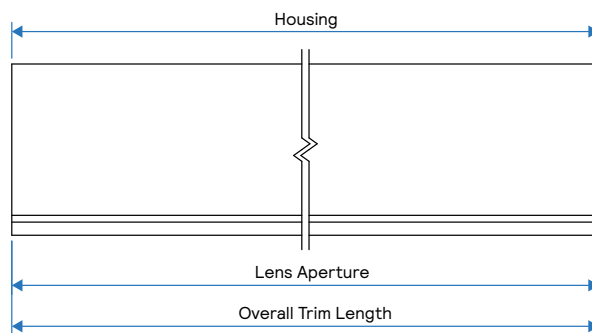
Nominal	Housing	Lens Aperture	Overall Trim Length (T-Grid)
2ft	24.0" [610mm]	23.0" [584mm]	23.8" [604mm]
3ft	36.0" [914mm]	35.0" [889mm]	35.8" [908mm]
4ft	48.0" [1219mm]	47.0" [1194mm]	47.8" [1213mm]
5ft	60.0" [1524mm]	59.0" [1499mm]	59.8" [1518mm]
6ft	72.0" [1829mm]	71.0" [1803mm]	71.8" [1823mm]
8ft	96.0" [2438mm]	95.0" [2413mm]	95.8" [2432mm]

### Continuous run (End Run)



Nominal	Housing	Lens Aperture	Overall Trim Length*
2ft	24.0" [610mm]	23.5" [597mm]	23.9" [607mm]
3ft	36.0" [914mm]	35.5" [901mm]	35.9" [911mm]
4ft	48.0" [1219mm]	47.5" [1206mm]	47.9" [1216mm]
5ft	60.0" [1524mm]	59.5" [1511mm]	59.9" [1521mm]
6ft	72.0" [1829mm]	71.5" [1816mm]	71.9" [1826mm]
8ft	96.0" [2438mm]	95.5" [2425mm]	95.9" [2435mm]
Incremental	L	L	L-0.1" [L-3mm]

### Continuous run (Mid Run)



Nominal	Housing	Lens Aperture/ Overall Trim Length*
2ft	24.0" [610mm]	24.0" [610mm]
3ft	36.0" [914mm]	36.0" [914mm]
4ft	48.0" [1219mm]	48.0" [1219mm]
5ft	60.0" [1524mm]	60.0" [1524mm]
6ft	72.0" [1829mm]	72.0" [1829mm]
8ft	96.0" [2438mm]	96.0" [2438mm]
Incremental	L	L

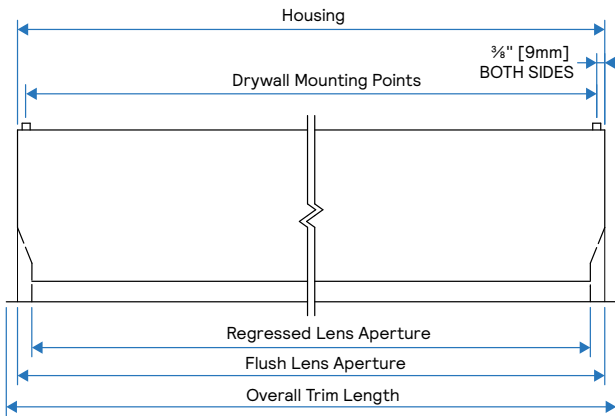
**Notes:** For all T-Grid luminaires, Flush Lens and Regressed Lens types are the same length.

For Continuous Run (Mid Run) luminaires, lens and trim types are equal lengths.

# TruGroove recessed

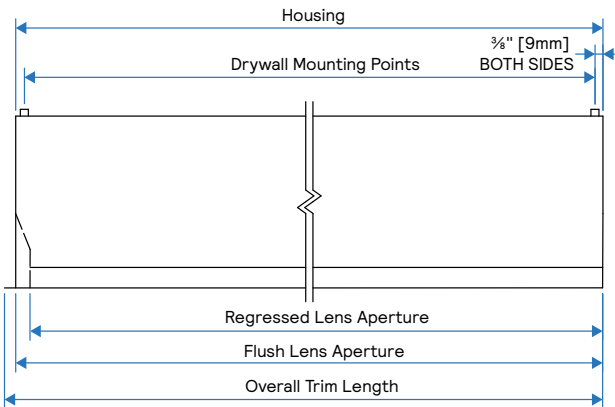
## Side Views: Drywall

### Standalone



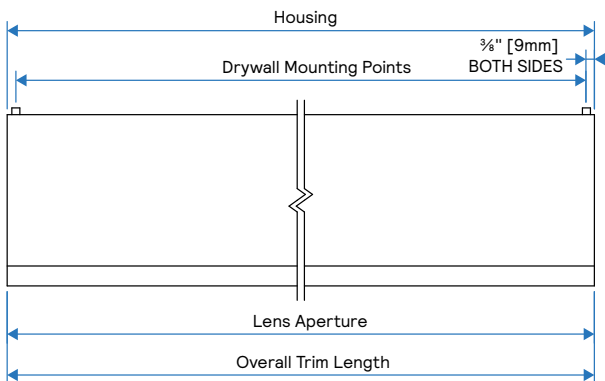
Nominal	Housing	Drywall Mounting Points	Lens Aperture		Overall Trim Length			
			Flush Lens	Regressed Lens	Flush Lens		Regressed Lens	
					Drywall Trimless	Drywall Trim	Drywall Trimless	Drywall Trim
2ft	24.0" [610mm]	23.3" [593mm]	24.0" [610mm]	23.0" [584mm]	27.3" [693mm]	25.5" [648mm]	26.3" [668mm]	24.5" [622mm]
3ft	36.0" [914mm]	35.3" [897mm]	36.0" [914mm]	35.0" [889mm]	39.3" [998mm]	37.5" [953mm]	38.3" [973mm]	36.5" [927mm]
4ft	48.0" [1219mm]	47.3" [1202mm]	48.0" [1219mm]	47.0" [1194mm]	51.3" [1303mm]	49.5" [1257mm]	50.3" [1278mm]	48.5" [1232mm]
5ft	60.0" [1524mm]	59.3" [1507mm]	60.0" [1524mm]	59.0" [1499mm]	63.3" [1608mm]	61.5" [1562mm]	62.3" [1582mm]	60.5" [1537mm]
6ft	72.0" [1829mm]	71.3" [1812mm]	72.0" [1829mm]	71.0" [1803mm]	75.3" [1913mm]	73.5" [1867mm]	74.3" [1887mm]	72.5" [1841mm]
8ft	96.0" [2438mm]	95.3" [2421mm]	96.0" [2438mm]	95.0" [2413mm]	99.3" [2522mm]	97.5" [2477mm]	98.3" [2497mm]	96.5" [2451mm]

### Continuous run (End Run)



Nominal	Housing	Drywall Mounting Points	Lens Aperture		Overall Trim Length			
			Flush Lens	Regressed Lens	Flush Lens		Regressed Lens	
					Drywall Trimless	Drywall Trim	Drywall Trimless	Drywall Trim
2ft	24.0" [610mm]	23.3" [593mm]	24.0" [610mm]	23.5" [597mm]	25.7" [670mm]	24.8" [629mm]	25.2" [640mm]	24.25" [616mm]
3ft	36.0" [914mm]	35.3" [897mm]	36.0" [914mm]	35.5" [901mm]	37.7" [975mm]	36.7" [933mm]	37.2" [945mm]	36.25" [921mm]
4ft	48.0" [1219mm]	47.3" [1202mm]	48.0" [1219mm]	47.5" [1206mm]	49.7" [1280mm]	48.7" [1238mm]	49.2" [1250mm]	48.25" [1225mm]
5ft	60.0" [1524mm]	59.3" [1507mm]	60.0" [1524mm]	59.5" [1511mm]	61.7" [1585mm]	60.7" [1543mm]	61.2" [1554mm]	60.25" [1530mm]
6ft	72.0" [1829mm]	71.3" [1812mm]	72.0" [1829mm]	71.5" [1816mm]	73.7" [1889mm]	72.8" [1848mm]	73.2" [1859mm]	72.25" [1835mm]
8ft	96.0" [2438mm]	95.3" [2421mm]	96.0" [2438mm]	95.5" [2425mm]	97.7" [2499mm]	96.7" [2457mm]	97.2" [2469mm]	96.25" [2445mm]
Incremental	L	L-0.8" [L-19mm]	L	L	L+1.7" [L+43mm]	L+0.75" [L+19mm]	L+1.7" [L+43mm]	L+0.75" [L+19mm]

### Continuous run (Mid Run)

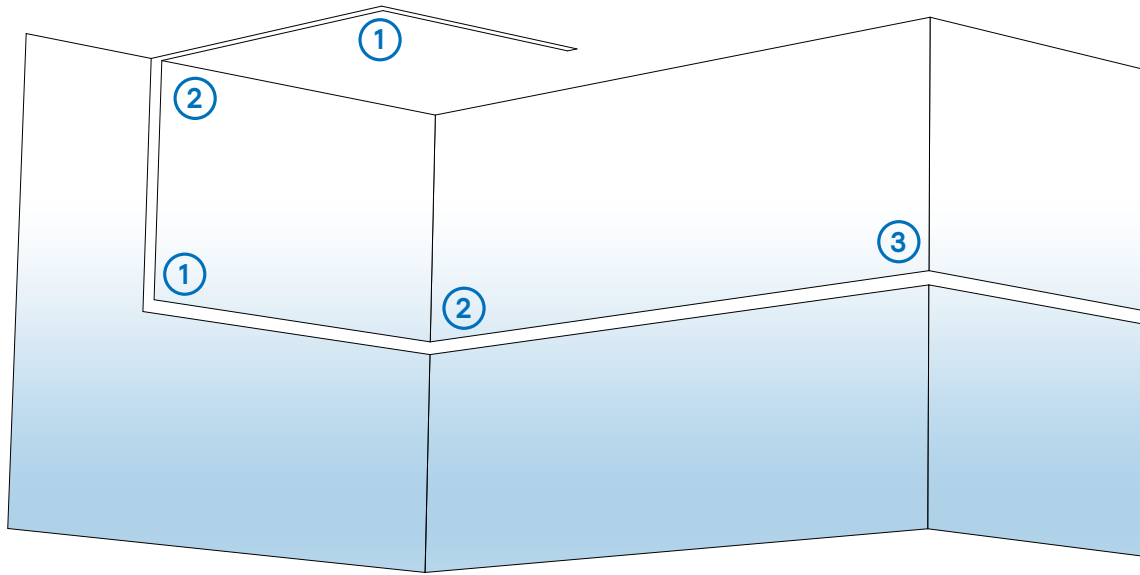


Nominal	Housing	Drywall Mounting Points	Lens Aperture/ Overall Trim Length*
2ft	24.0" [610mm]	23.3" [593mm]	24.0" [610mm]
3ft	36.0" [914mm]	35.3" [897mm]	36.0" [914mm]
4ft	48.0" [1219mm]	47.3" [1202mm]	48.0" [1219mm]
5ft	60.0" [1524mm]	59.3" [1507mm]	60.0" [1524mm]
6ft	72.0" [1829mm]	71.3" [1812mm]	72.0" [1829mm]
8ft	96.0" [2438mm]	95.3" [2421mm]	96.0" [2438mm]
Incremental	L	L-0.8" [L-19mm]	L

**Notes:** For Continuous Run (Mid Run) luminaires, lens and trim types are equal lengths.

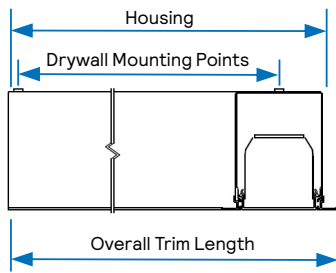
# TruGroove recessed

## Corners



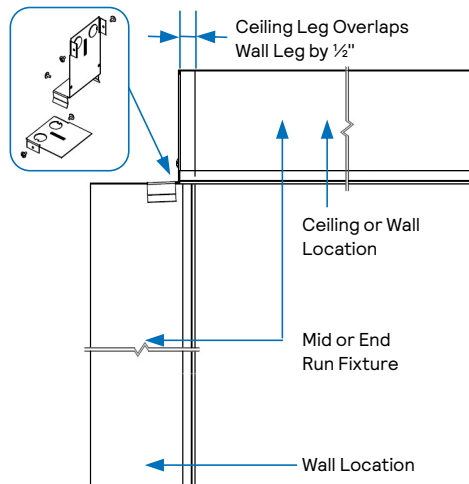
### 1. Flat Corner (90°)\*

Flat corners can be used to create ceiling or wall recessed patterns. Available for drywall and inside or outside T-Grid patterns.



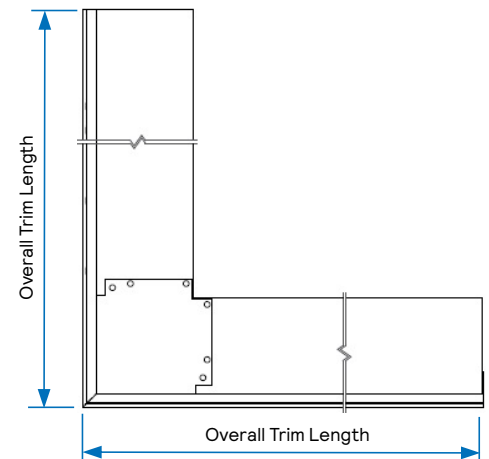
### 2. Inside Wall Corner (90° Bracket)\*

Inside corners use a bracket kit to join a ceiling recessed and wall recessed fixture.



### 3. Outside Wall Corner (90°)\*

Outside corners are used to create patterns around drywall corners.



Corner Type	Housing	Drywall Mounting Points	Overall Trim Length		
			T-Grid	Drywall Trimless	Drywall Trim
A4 - Flat corner	25.7" [653mm]	23.3" [593mm]	25.9" [658mm]	27.1" [689mm]	26.3" [667mm]
A1 - Inside grid corner	23.7" [603mm]	21.6" [549mm]	23.9" [607mm]	N/A	N/A
AO - Outside grid corner	27.8" [705mm]	25.6" [651mm]	27.9" [709mm]	N/A	N/A
K4 - Outside wall corner	26.8" [681mm]	N/A	N/A	26.8" [681mm]	N/A
00 - Inside wall corner	N/A	N/A	N/A	N/A	N/A

\*Note: Standard TruGroove recessed Flat, Inside and Outside Corners are 90°. Please inquire about options for custom angles & intersections (extended lead times may apply).

# TruGroove recessed

## Specifications

### Optical System

**Performance version:** Light from the LEDs is reflected and redirected through an optical lens assembly comprising an acrylic extrusion profile and a layer of precision MesoOptics DX film, creating an uninterrupted continuum of light with an optical batwing distribution.

**Definition version:** Light passes through a diffuse white acrylic silk lens to deliver a highly uniform luminous continuum.

### Housing

Die-formed, 20 gauge cold-rolled steel housing. Multiple upper wire entrances are available for continuous row mounting of fixtures.

### Finish

Extruded aluminum trim and die-cast endplates coated with an electrostatically applied, thermally cured polyester powder coat finish.

### Mounting

**T-Grid:** Mounting brackets on housing sides support T-Grid installation in 9/16", 15/16" or slot T-Grid suspension systems (NEMA types G, NFG, NFSG, SS and Armstrong TechZone 4").

**Drywall (Ceiling mounted):** Ceiling mounted luminaires are available with Drywall Trim or Trimless options. A 1/16" diameter aircraft cable with self-locking, tamper-resistant, miniature cable gripper provides vertical adjustment. The aircraft cable, crimp and gripper have been independently tested to meet stringent safety requirements.

**Drywall (Wall mounted):** Wall mounted luminaires are only available with the Drywall Trimless option. In a continuous wall to ceiling pattern with an inside corner the ceiling run can use a different trim option if required.

### Joints

Self-aligning joining system with hands-free pre-joining wire access.

### Weight

Maximum 3.5lbs/ft.

### Electrical

Fixtures are factory pre-wired to section ends with quick-wire connectors and tested for all circuits and backup battery packs. LED boards and drivers are easily field replaceable with access from below the ceiling. Optional armored cable flex whips are available in 6' lengths.

### Standard Drivers

Advance Xitanium 0-10V, 1% Dimming.  
Advance Xitanium DALI-2 compliant, 5% Dimming.  
Lutron EcoSystem LDE1, 1% Dimming with Soft-On and Fade-to-Black.  
Advance Xitanium SR, DALI-2 D4i (1% Dim)

### 2ch Tunable Drivers

Advance FlexTune Sensor Ready, DALI-2 compliant 1% Dimming.  
0-10V, 0.1% Dimming.  
DALI-2 DT6 or DT8, 0.1% Dimming.  
Class 2 rated output. Consult Ledalite for other available drivers.

### Standard Battery Packs

Bodine Battery Pack, 90 min, 10W, Class 2 rated output.  
Lumen output = 10W x luminaire efficacy x 1.1. Typical output ~1300lm.

### Lumen Maintenance

LEDs have been tested by the manufacturer in accordance with IESNA LM-80-15. At an ambient temperature of 25°C, the LED lumen maintenance expectation according to IES TM-21-11 is:

$L_{80}(10k) > 60,000$  hours (Reported methodology).

### Source Color

LEDs rated for color rendering of:

$CRI R_a \geq 90, R_g \geq 50, G_a \geq 97, C_g \geq 90$

IES TM-30-18 :  $R_f \geq 90, R_{f,h1} \geq 89, R_g \geq 99, R_{cs,h1} \geq -5\%$

SPD and TM-30-18 reports available upon request

Fixture to fixture color accuracy within:

2 SDCM for Static White luminaires

3 SDCM for Tunable White luminaires

### Approvals

Certified to UL, IES & CSA Standards.

City of Chicago Approved CCEA (housing option C).

Type IC Rated.

Certain versions without battery packs are DesignLights Consortium qualified. Check the DLC QPL list for specific model numbers. Please enter "RRRYKC" in the search field here:

<https://qpl.designlights.org/qpl/solid-state-lighting>.

TruGroove is Declare label certified. More information on the TruGroove label can be found on [www.declare.living-future.org](http://www.declare.living-future.org).

Select TruGroove micro configurations contribute toward satisfying features L03, L04, L06, L07 and L08 under the WELL v2 Building Standard®.

Luminaires that include Interact Pro controls options can help meet the requirements in 90.1-2022, IECC 2021, and CA T24 2022 for a maximum of 20min. time out for occupancy controls.

### Environment

Rated for dry or damp locations in operating ambient temperatures of 25±5°C (77±9°F).

Many luminaire components, such as reflectors, refractors, lenses, and LEDs are made from various types of plastics which can be adversely affected by airborne contaminants. If sulfur-based chemicals, petroleum-based products, cleaning solutions, or other contaminants are expected in the intended area of use, consult factory for compatibility. Damage caused by sulfur, chlorine, petroleum-based solution or other contaminants are not covered under warranty. Not suitable for natatorium environments.

### Warranty

Five-year luminaire limited warranty including LED boards and driver:  
[www.signify.com/warranties](http://www.signify.com/warranties)

### QuickShip

10-day QuickShip available for most configurations upon request. More information available at:

[www.signify.com/en-us/brands/ledalite/quickship](http://www.signify.com/en-us/brands/ledalite/quickship)

## Controls Options\*

### Interact Radio Node for Standalone, Gateway and Gateway + IoT tiers (RA)

- RA is a connected radio node supporting wireless mesh connectivity.

### Interact sensor for Standalone, Gateway and Gateway + IoT tiers (CS)

- CS is a connected sensor with integral occupancy and daylight sensing and supports wireless mesh connectivity.
- The sensor can operate in a standalone mode or in a gateway mode.
- Interact includes an App, a portal and a broad portfolio of wireless luminaires, lamps and retrofit kits all working on the same system.
- Startup is implemented via Interact Pro app (Android or iPhone) & Bluetooth connectivity. The app provides flexibility to choose between a gateway or non gateway mode for setup.
- Setup with the gateway requires wired internet access to the gateway.  
It is possible to add a gateway at a later point.
- Prepare project configuration steps remotely and use IRT9015 remote onsite to identify and group devices together.
- Compatible with UID8465/10 or UID8465/50 wireless dimmer switches, wireless dimmer switch, SWS200 wireless scene switch, wireless occupancy sensor (OCC0100A/02 BP Sensor WH) and wireless daylight /occupancy sensor (OCC0101A/02 DL BP Sensor WH).
- For more information on Interact visit:  
[www.interact-lighting.com/en-us/what-is-possible/about-interact](http://www.interact-lighting.com/en-us/what-is-possible/about-interact)

### Interact sensor bundles for Gateway + IoT tier (SB)

- SB option, in addition to occupancy and daylight sensing, supports advanced IoT capabilities such as people estimation analysis, desk level temperature & humidity sensing, noise classification, and Bluetooth Low Energy (BLE) beacon.
- Compatible with UID8465/10 or UID8465/50 wireless dimmers switches, SWS200 wireless scene switch, wireless occupancy sensor (OCC0100A/02 BP Sensor WH) and wireless daylight/occupancy sensor (OCC0101A/02 DL BP Sensor WH).
- Use Interact software and insights to increase building efficiency, achieve building wide integration and optimize space through occupancy analytics.
- Requires compatible gateway and internet connectivity for commissioning. For more information, visit: [www.interact-lighting.com/office](http://www.interact-lighting.com/office)

### Tunable White & BioUp

- Tunable white and BioUp options are available with Interact wireless or with 2ch 0-10V or DALI-2 (DT6 or DT8) wired drivers. Please inquire about options such as Lutron or DMX control (extended lead times may apply).
- Signify tunable white solutions are designed to help maximize the influence of lighting on your daily life.
- Signify BioUp helps support daytime circadian rhythm for engagement during the day and good sleep quality at night.
- Dynamic behaviors via scheduled lighting recipes mimicking daylight patterns or supporting biorhythms.
- Scene setting via lighting pre-sets based on various combinations of lighting color temperature and intensity.

### 3rd Party Sensors

- Third party sensors also available, please enquire about options for Lutron Athena, Vive, or others.

Interact Pro scalable sensor option codes across Genlyte product lines\*

	Evokit	Day-Brite	Ledalite	Lightolier
Zigbee + Bluetooth	RADIO	RADIO	RA	RA
Zigbee + Bluetooth + Sensing	SWZCS	SWZCS	CS	SBA accessory (external)
Zigbee + Bluetooth + Sensing + Environmental data	IAOSB	IAOSB	SB	SB
Zigbee + Highbay + Sensing	-	SWZCSH	-	-

\*TruGroove recessed is available with integral or remote mounted sensors. When remote mounted, please confirm recessed or surface sensor mounting. An SR driver option must be selected, extended lead times may apply.



# TruGroove recessed

## Functionalities overview

**\*Note:** TruGroove recessed is available with integral or remote mounted sensors. When remote mounted, please confirm recessed or surface sensor mounting. An SR driver option must be selected, extended lead times may apply.

## The three tiers of Interact

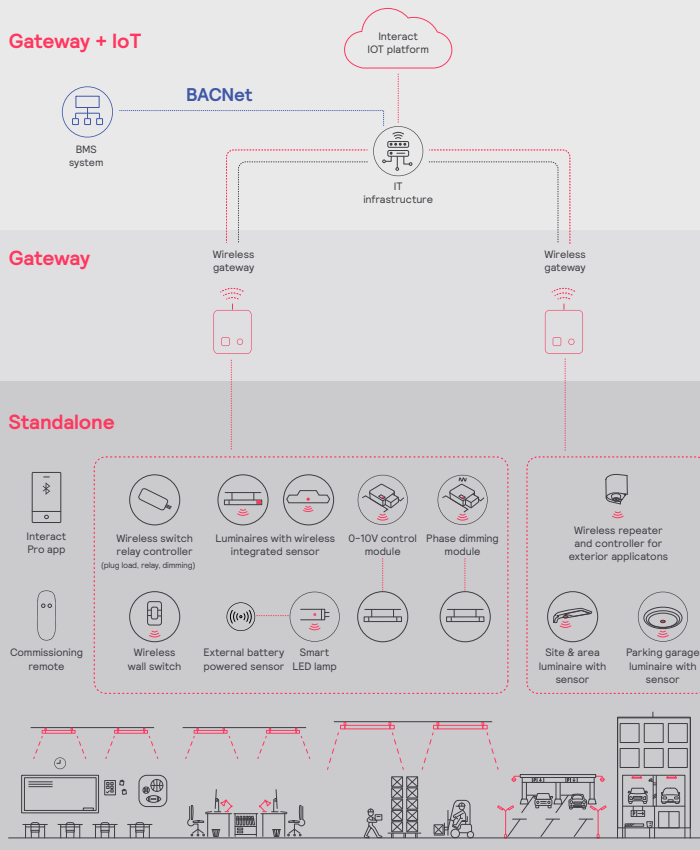
	Standalone	Gateway	Gateway + IoT
Dimming, grouping, and zoning	✓	✓	✓
Bluetooth and ZigBee enabled	✓	✓	✓
Motion sensing and daylight harvesting	✓	✓	✓
Integration with 0-10V and phase dimming fixtures	✓	✓	✓
Code compliance	✓	✓	✓
Granular dimming and dwell time	✓	✓	✓
<b>New</b> Correlated color temperature (CCT) tuning by switch	✓	✓	✓
<b>New</b> Support for sensor-based Tunable White luminaires	✓	✓	✓
Energy reporting and monitoring		✓	✓
Scheduling		✓	✓
Demand response		✓	✓
BMS integration (BACnet)			✓
Floor plan visualization			✓
IoT sensors for wellness			✓
IoT Apps for productivity			✓

## Currently supported maximum system size

To be able to design the lighting system correctly for the customer, it is important to know the prime characteristics of the system, its possibilities and limitations.

System level	
Total number of gateways	Unlimited
Total number of devices	200 per network
• luminaires with integrated sensors	150
• smart TLEDs	150
Total number of ZGP devices (sensors and switches)	50
• sensors	30
• switches	50
• zones and groups	64
Group level	
Recommended number of lights	40 (recommended 25)
Number of ZGP devices	5
Number of scenes	16

## Interact system architecture for office, education, healthcare, retail, industrial and parking applications



# TruGroove recessed

## Colorimetry

### TruGroove recessed (39xx) BioUp

Nominal CRI & CCT		CRI 90+, 2700K	CRI 90+, 3000K	CRI 80+, 3500K	CRI 80+, 4000K	CRI 80+, 5000K
CIE 013.3-1995 <sup>1</sup>	CRI R <sub>a</sub>	94	91	88	86	82
	R <sub>9</sub>	62	70	75	76	70
	G <sub>a</sub>	100	98	97	95	92
	C <sub>g</sub>	94	95	96	96	95
IES TM-30-18 <sup>2</sup>	R <sub>f</sub>	92	90	87	84	82
	R <sub>f,h1</sub>	91	90	88	86	83
	R <sub>g</sub>	101	98	96	94	92
	R <sub>cs,h1</sub>	-5%	-5%	-5%	-5%	-6%
MDER <sup>3</sup>		0.44	0.59	0.72	0.82	0.97

### TruGroove recessed (39x) AccuRender Tunable White

Nominal CRI & CCT		CRI 90+, 2700K	CRI 90+, 3000K	CRI 90+, 3500K	CRI 90+, 4000K	CRI 90+, 5000K	CRI 90+, 6500K
CIE 013.3-1995 <sup>1</sup>	CRI R <sub>a</sub>	94	94	95	95	94	92
	R <sub>9</sub>	54	63	72	76	75	62
	G <sub>a</sub>	98	100	100	100	98	95
	C <sub>g</sub>	92	94	95	96	95	92
IES TM-30-18 <sup>2</sup>	R <sub>f</sub>	92	92	91	91	90	87
	R <sub>f,h1</sub>	90	91	91	91	89	85
	R <sub>g</sub>	99	100	100	99	99	96
	R <sub>cs,h1</sub>	-6%	-5%	-4%	-4%	-5%	-6%
MDER <sup>3</sup>		0.45	0.53	0.63	0.71	0.83	0.97

### TruGroove recessed (39xx) AccuRender Static White

Nominal CRI & CCT		CRI 90, 2700K	CRI 90, 3000K	CRI 90, 3500K	CRI 90, 4000K	CRI 90, 5000K
CIE 013.3-1995 <sup>1</sup>	CRI R <sub>a</sub>	94	93	93	93	93
	R <sub>9</sub>	55	57	59	64	68
	G <sub>a</sub>	99	99	99	99	99
	C <sub>g</sub>	93	93	93	93	94
IES TM-30-18 <sup>2</sup>	R <sub>f</sub>	92	91	91	91	90
	R <sub>f,h1</sub>	90	90	90	91	89
	R <sub>g</sub>	100	100	99	100	100
	R <sub>cs,h1</sub>	-6%	-5%	-6%	-5%	-5%
MDER <sup>3</sup>		0.45	0.51	0.58	0.65	0.81

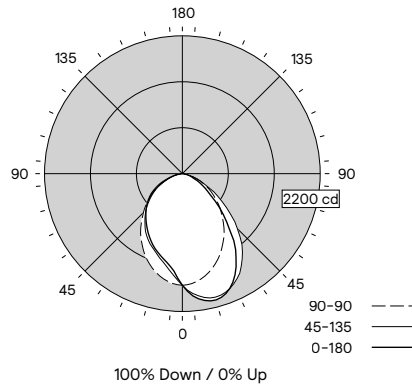
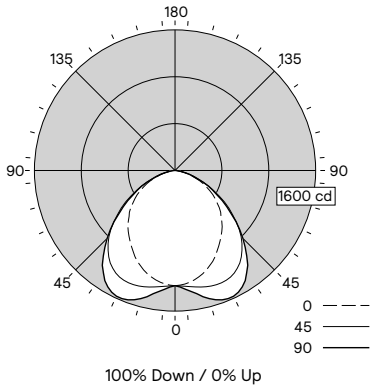
1. Color Rendering Index (CRI Ra) and Strong Red (R9) are calculated in accordance with CIE 013.3-1995. Color Gamut index (Ga) and red chroma Index (C9) are CIE based properties using the Global Lighting Association's calculation tool.
2. Fidelity Index (Rf), Red Fidelity Index (Rf,h1), Gamut Index (Rg), and Red Local Chroma Shift (Rcs,h1) are calculated in accordance with IES TM-30-18.-18.
3. Melanopic Daylight Efficacy Ratio (MDER) is the measure for "spectral melanopic efficiency" as defined in CIE S 026-2018.

# TruGroove recessed

## Photometry

Performance Symmetric  
Flush MesoOptics Lens  
Spacing Criteria: 1.14/1.57

Performance Asymmetric Wall Wash  
Flush MesoOptics Lens  
Spacing Criteria: 1.33/1.10



Candela plots shown are for 4000lm/4ft, CRI 90, 3500K configurations.

### TruGroove Recessed Direct (3901) Performance Symmetric Flush MesoOptics Lens

Click "PDF" or "IES" text to download

	Nominal CRI & CCT		CRI 90+, 2700K					CRI 90+, 3000K					CRI 90+, 3500K					CRI 90+, 4000K					CRI 90+, 5000K					CRI 90+, 6500K						
	Nominal Lumen Package (lm/4ft) <sup>1</sup>	Direct	Input Power (W/4ft) <sup>3</sup>	Flux (lm/4ft) <sup>1</sup>	Efficacy (LPW) <sup>1</sup>	UGR <sup>2</sup>	Photometry Report <sup>1</sup>	IES File <sup>4</sup>	Flux (lm/4ft) <sup>1</sup>	Efficacy (LPW) <sup>1</sup>	UGR <sup>2</sup>	Photometry Report <sup>1</sup>	IES File <sup>4</sup>	Flux (lm/4ft) <sup>1</sup>	Efficacy (LPW) <sup>1</sup>	UGR <sup>2</sup>	Photometry Report <sup>1</sup>	IES File <sup>4</sup>	Flux (lm/4ft) <sup>1</sup>	Efficacy (LPW) <sup>1</sup>	UGR <sup>2</sup>	Photometry Report <sup>1</sup>	IES File <sup>4</sup>	Flux (lm/4ft) <sup>1</sup>	Efficacy (LPW) <sup>1</sup>	UGR <sup>2</sup>	Photometry Report <sup>1</sup>	IES File <sup>4</sup>	Flux (lm/4ft) <sup>1</sup>	Efficacy (LPW) <sup>1</sup>	UGR <sup>2</sup>	Photometry Report <sup>1</sup>	IES File <sup>4</sup>	
BioUp <sup>5</sup>	4,000	39.9	3,930	103	24	PDF	IES	3,930	101	24	PDF	-	3,930	99	24	PDF	-	3,930	97	24	PDF	-	3,930	94	24	PDF	-	-	-	-	-	-	-	-
	3,000	27.9	2,951	111	23	PDF	IES	2,951	108	23	PDF	-	2,951	106	23	PDF	-	2,951	104	23	PDF	-	2,951	101	23	PDF	-	-	-	-	-	-	-	-
	2,200	19.7	2,166	114	22	PDF	IES	2,166	112	22	PDF	-	2,166	110	22	PDF	-	2,166	108	22	PDF	-	2,166	106	22	PDF	-	-	-	-	-	-	-	-
	1,500	13.2	1,473	115	21	PDF	IES	1,473	113	21	PDF	-	1,473	111	21	PDF	-	1,473	110	21	PDF	-	1,473	108	21	PDF	-	-	-	-	-	-	-	
Tunable White <sup>5</sup>	4,000	35.6	3,933	106	24	PDF	IES	3,933	108	24	PDF	-	3,933	110	24	PDF	-	3,933	112	24	PDF	-	3,933	115	24	PDF	-	3,933	117	24	PDF	-	-	-
	3,000	25.8	2,950	111	23	PDF	IES	2,950	112	23	PDF	-	2,950	114	23	PDF	-	2,950	116	23	PDF	-	2,950	119	23	PDF	-	2,950	120	23	PDF	-	-	-
	2,200	18.6	2,164	113	22	PDF	IES	2,164	115	22	PDF	-	2,164	116	22	PDF	-	2,164	118	22	PDF	-	2,164	120	22	PDF	-	2,164	122	22	PDF	-	-	-
	1,500	12.8	1,474	113	21	PDF	IES	1,474	114	21	PDF	-	1,474	115	21	PDF	-	1,474	117	21	PDF	-	1,474	119	21	PDF	-	1,474	121	21	PDF	-	-	-
Static White <sup>5</sup>	6,000	54.1	5,542	102	25	PDF	IES	5,700	105	25	PDF	IES	5,912	109	26	PDF	IES	5,961	110	26	PDF	IES	6,037	112	26	PDF	IES	-	-	-	-	-	-	
	5,000	43.9	4,619	105	25	PDF	IES	4,741	108	25	PDF	IES	4,911	112	25	PDF	IES	4,963	113	25	PDF	IES	5,022	114	25	PDF	IES	-	-	-	-	-	-	
	4,000	34.8	3,697	106	24	PDF	IES	3,782	109	24	PDF	IES	3,925	113	24	PDF	IES	3,969	114	24	PDF	IES	4,010	115	24	PDF	IES	-	-	-	-	-	-	
	3,000	26.1	2,781	107	23	PDF	IES	2,839	109	23	PDF	IES	2,952	113	23	PDF	IES	2,984	114	23	PDF	IES	3,013	115	23	PDF	IES	-	-	-	-	-	-	
	2,200	18.4	2,075	113	22	PDF	IES	2,117	115	22	PDF	IES	2,204	120	22	PDF	IES	2,225	121	22	PDF	IES	2,247	122	22	PDF	IES	-	-	-	-	-	-	
1,500	12.7	1,448	114	21	PDF	IES	1,478	116	21	PDF	IES	1,540	121	21	PDF	IES	1,552	122	21	PDF	IES	1,568	124	21	PDF	IES	-	-	-	-	-	-		

### TruGroove Recessed Direct (3908) Performance Asymmetric Wall Wash Flush MesoOptics Lens

Click "PDF" or "IES" text to download

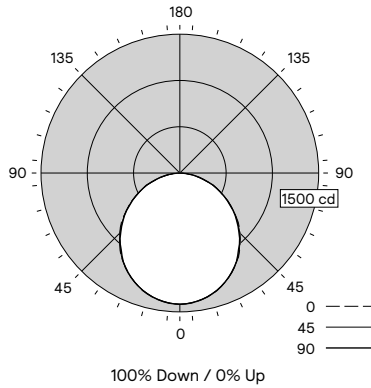
	Nominal CRI & CCT		CRI 90+, 2700K					CRI 90+, 3000K					CRI 90+, 3500K					CRI 90+, 4000K					CRI 90+, 5000K					CRI 90+, 6500K						
	Nominal Lumen Package (lm/4ft) <sup>1</sup>	Direct	Input Power (W/4ft) <sup>3</sup>	Flux (lm/4ft) <sup>1</sup>	Efficacy (LPW) <sup>1</sup>	UGR <sup>2</sup>	Photometry Report <sup>1</sup>	IES File <sup>4</sup>	Flux (lm/4ft) <sup>1</sup>	Efficacy (LPW) <sup>1</sup>	UGR <sup>2</sup>	Photometry Report <sup>1</sup>	IES File <sup>4</sup>	Flux (lm/4ft) <sup>1</sup>	Efficacy (LPW) <sup>1</sup>	UGR <sup>2</sup>	Photometry Report <sup>1</sup>	IES File <sup>4</sup>	Flux (lm/4ft) <sup>1</sup>	Efficacy (LPW) <sup>1</sup>	UGR <sup>2</sup>	Photometry Report <sup>1</sup>	IES File <sup>4</sup>	Flux (lm/4ft) <sup>1</sup>	Efficacy (LPW) <sup>1</sup>	UGR <sup>2</sup>	Photometry Report <sup>1</sup>	IES File <sup>4</sup>	Flux (lm/4ft) <sup>1</sup>	Efficacy (LPW) <sup>1</sup>	UGR <sup>2</sup>	Photometry Report <sup>1</sup>	IES File <sup>4</sup>	
BioUp <sup>5</sup>	4,000	39.9	4,078	107	23	PDF	IES	4,078	105	23	PDF	-	4,078	102	23	PDF	-	4,078	100	23	PDF	-	4,078	97	23	PDF	-	-	-	-	-	-	-	
	3,000	27.9	3,062	115	22	PDF	IES	3,062	112	22	PDF	-	3,062	110	22	PDF	-	3,062	108	22	PDF	-	3,062	105	22	PDF	-	-	-	-	-	-	-	
	2,200	19.7	2,247	118	21	PDF	IES	2,247	116	21	PDF	-	2,247	114	21	PDF	-	2,247	113	21	PDF	-	2,247	110	21	PDF	-	-	-	-	-	-	-	
	1,500	13.2	1,528	119	20	PDF	IES	1,528	117	20	PDF	-	1,528	115	20	PDF	-	1,528	114	20	PDF	-	1,528	112	20	PDF	-	-	-	-	-	-		
Tunable White <sup>5</sup>	4,000	35.6	4,081	110	23	PDF	IES	4,081	112	23	PDF	-	4,081	115	23	PDF	-	4,081	116	23	PDF	-	4,081	119	23	PDF	-	4,081	121	23	PDF	-	-	-
	3,000	25.8	3,061	115	22	PDF	IES	3,061	117	22	PDF	-	3,061	119	22	PDF	-	3,061	120	22	PDF	-	3,061	123	22	PDF	-	3,061	125	22	PDF	-	-	-
	2,200	18.6	2,246	117	21	PDF	IES	2,246	119	21	PDF	-	2,246	121	21	PDF	-	2,246	122	21	PDF	-	2,246	125	21	PDF	-	2,246	126	21	PDF	-	-	-
	1,500	12.8	1,529	117	20	PDF	IES	1,529	118	20	PDF	-	1,529	120	20	PDF	-	1,529	121	20	PDF	-	1,529	124	20	PDF	-	1,529	125	20	PDF	-	-	-
Static White <sup>5</sup>	6,000	54.1	5,750	106	25	PDF	IES	5,914	109	25	PDF	IES	6,125	113	25	PDF	IES	6,185	114	25	PDF	IES	6,264	116	25	PDF	IES	-	-	-	-	-	-	
	5,000	43.9	4,793	109	24	PDF	IES	4,919	112	24	PDF	IES	5,096	116	24	PDF	IES	5,150	117	24	PDF	IES	5,211	119	24	PDF	IES	-	-	-	-	-	-	
	4,000	34.8	3,836	110	23	PDF	IES	3,924	113	23	PDF	IES	4,073	117	23	PDF	IES	4,118	118	23	PDF	IES	4,161	120	23	PDF	IES	-	-	-	-	-	-	
	3,000	26.1	2,886	111	22	PDF	IES	2,945	113	22	PDF	IES	3,063	117	22	PDF	IES	3,096	119	22	PDF	IES	3,126	120	22	PDF	IES	-	-	-	-	-	-	
	2,200	18.4	2,153	117	21	PDF	IES	2,196	119	21	PDF	IES	2,286	124	21	PDF	IES	2,308	125	21	PDF	IES	2,331	127	21	PDF	IES	-	-	-	-	-	-	
1,500	12.7	1,502	118	20	PDF	IES	1,534	121	20	PDF	IES	1,598	126	20	PDF	IES	1,610	127	20	PDF	IES	1,627	128	20	PDF	IES	-	-	-	-	-	-		

1. 4ft Luminaire photometry has been conducted in accordance with IES LM-79-08. Photometry should be scaled for luminaire configurations other than 4ft. Luminaires with finishes other than standard white may result in a drop in flux and efficacy.  
 2. Unified Glare Ratio (UGR) is calculated in accordance with CIE 117-1995. Reference conditions of 4Hx8Hx1H and reflectances of 70/50/20% have been applied using the procedure described in CIE 190-2010.  
 3. Input power stated at 3500K.  
 4. IES files can be downloaded by clicking the links in the table above, or online at www.ledalite.com. TruGroove recessed luminaire IES files are provided as 4ft sections. Note, BioUp & Tunable white IES files provided at 2700K.  
 5. BioUp & Tunable White, stated with Advance FlexTune SR driver & Interact scalable wireless sensor, Static White stated with Advance Xitanium 0-10V driver, data may vary with other drivers.

# TruGroove recessed

## Photometry

Definition Symmetric  
 Flush Silk Lens  
 Spacing Criteria: 1.23/1.23



Candela plots shown are for 4000lm/4ft, CRI 90, 3500K configurations.

### TruGroove Recessed Direct (3900) Definition Symmetric Flush Silk Lens

Click "PDF" or "IES" text to download

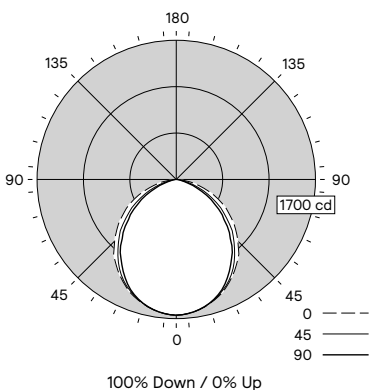
Nominal CRI & CCT	CRI 90+, 2700K						CRI 90+, 3000K					CRI 90+, 3500K					CRI 90+, 4000K					CRI 90+, 5000K					CRI 90+, 6500K					
	Nominal Lumen Package (lm/4ft) <sup>1</sup>	Input Power (W/4ft) <sup>3</sup>	Flux (lm/4ft) <sup>1</sup>	Efficacy (L/PW) <sup>1</sup>	UGR <sup>2</sup>	Photometry Report <sup>1</sup>	IES File <sup>4</sup>	Flux (lm/4ft) <sup>1</sup>	Efficacy (L/PW) <sup>1</sup>	UGR <sup>2</sup>	Photometry Report <sup>1</sup>	IES File <sup>4</sup>	Flux (lm/4ft) <sup>1</sup>	Efficacy (L/PW) <sup>1</sup>	UGR <sup>2</sup>	Photometry Report <sup>1</sup>	IES File <sup>4</sup>	Flux (lm/4ft) <sup>1</sup>	Efficacy (L/PW) <sup>1</sup>	UGR <sup>2</sup>	Photometry Report <sup>1</sup>	IES File <sup>4</sup>	Flux (lm/4ft) <sup>1</sup>	Efficacy (L/PW) <sup>1</sup>	UGR <sup>2</sup>	Photometry Report <sup>1</sup>	IES File <sup>4</sup>	Flux (lm/4ft) <sup>1</sup>	Efficacy (L/PW) <sup>1</sup>	UGR <sup>2</sup>	Photometry Report <sup>1</sup>	IES File <sup>4</sup>
BioUp <sup>5</sup>	4,000	39.9	3,997	105	26	PDF	IES	3,997	103	26	PDF	-	3,997	100	26	PDF	-	3,997	98	26	PDF	-	3,997	95	26	PDF	-	-	-	-	-	-
	3,000	27.9	3,001	112	25	PDF	IES	3,001	110	25	PDF	-	3,001	108	25	PDF	-	3,001	106	25	PDF	-	3,001	103	25	PDF	-	-	-	-	-	-
	2,200	19.7	2,202	116	24	PDF	IES	2,202	114	24	PDF	-	2,202	112	24	PDF	-	2,202	110	24	PDF	-	2,202	108	24	PDF	-	-	-	-	-	-
	1,500	13.2	1,498	117	22	PDF	IES	1,498	115	22	PDF	-	1,498	113	22	PDF	-	1,498	112	22	PDF	-	1,498	109	22	PDF	-	-	-	-	-	-
Tunable White <sup>5</sup>	4,000	35.6	4,000	108	26	PDF	IES	4,000	110	26	PDF	-	4,000	112	26	PDF	-	4,000	114	26	PDF	-	4,000	117	26	PDF	-	4,000	119	26	PDF	-
	3,000	25.8	3,000	112	25	PDF	IES	3,000	114	25	PDF	-	3,000	116	25	PDF	-	3,000	118	25	PDF	-	3,000	121	25	PDF	-	3,000	122	25	PDF	-
	2,200	18.6	2,201	115	24	PDF	IES	2,201	116	24	PDF	-	2,201	118	24	PDF	-	2,201	120	24	PDF	-	2,201	122	24	PDF	-	2,201	124	24	PDF	-
	1,500	12.8	1,499	114	22	PDF	IES	1,499	116	22	PDF	-	1,499	117	22	PDF	-	1,499	119	22	PDF	-	1,499	121	22	PDF	-	1,499	123	22	PDF	-
Static White <sup>5</sup>	6,000	54.1	5,636	104	27	PDF	IES	5,797	107	27	PDF	IES	6,003	111	27	PDF	IES	6,062	112	27	PDF	IES	6,139	114	27	PDF	IES	-	-	-	-	-
	5,000	43.9	4,698	107	26	PDF	IES	4,822	110	26	PDF	IES	4,995	114	27	PDF	IES	5,048	115	27	PDF	IES	5,107	116	27	PDF	IES	-	-	-	-	-
	4,000	34.8	3,760	108	26	PDF	IES	3,846	111	26	PDF	IES	3,992	115	26	PDF	IES	4,036	116	26	PDF	IES	4,079	117	26	PDF	IES	-	-	-	-	-
	3,000	26.1	2,829	108	25	PDF	IES	2,887	111	25	PDF	IES	3,002	115	25	PDF	IES	3,034	116	25	PDF	IES	3,064	117	25	PDF	IES	-	-	-	-	-
	2,200	18.4	2,110	115	24	PDF	IES	2,153	117	24	PDF	IES	2,241	122	24	PDF	IES	2,262	123	24	PDF	IES	2,285	124	24	PDF	IES	-	-	-	-	-
	1,500	12.7	1,473	116	22	PDF	IES	1,503	118	22	PDF	IES	1,566	123	23	PDF	IES	1,578	124	23	PDF	IES	1,595	126	23	PDF	IES	-	-	-	-	-

- 4ft Luminaire photometry has been conducted in accordance with IES LM-79-08. Photometry should be scaled for luminaire configurations other than 4ft. Luminaires with finishes other than standard white may result in a drop in flux and efficacy.
- Unified Glare Ratio (UGR) is calculated in accordance with CIE 117-1995. Reference conditions of 4Hx8Hx1H and reflectances of 70/50/20% have been applied using the procedure described in CIE 190-2010.
- Input power stated at 3500K.
- IES files can be downloaded by clicking the links in the table above, or online at [www.ledalite.com](http://www.ledalite.com). TruGroove recessed luminaire IES files are provided as 4ft sections. Note, BioUp & Tunable white IES files provided at 2700K.
- BioUp & Tunable White, stated with Advance FlexTune SR driver & Interact scalable wireless sensor, Static White stated with Advance Xitanium 0-10V driver, data may vary with other drivers.

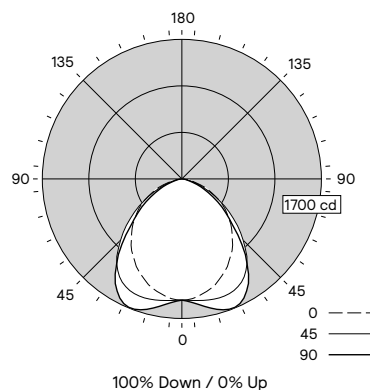
# TruGroove recessed

## Photometry

Performance Symmetric  
Regressed Silk Lens  
Spacing Criteria: 1.23/1.17



Performance Symmetric  
Regressed MesoOptics Lens  
Spacing Criteria: 1.17/1.44



Candela plots shown are for 4000lm/4ft, CRI 90, 3500K configurations.

### TruGroove Recessed Direct (3900) Performance Symmetric Regressed Silk Lens

Click "PDF" or "IES" text to download

Nominal CRI & CCT	CRI 90+, 2700K										CRI 90+, 3000K					CRI 90+, 3500K					CRI 90+, 4000K					CRI 90+, 5000K					CRI 90+, 6500K				
	Nominal Lumen Package (lm/4ft)		Input Power (W/4ft) <sup>3</sup>	Flux (lm/4ft) <sup>1</sup>	Efficacy (LPW) <sup>1</sup>	UGR <sup>2</sup>	Photometry Report <sup>1</sup>	IES File <sup>4</sup>	Flux (lm/4ft) <sup>1</sup>	Efficacy (LPW) <sup>1</sup>	UGR <sup>2</sup>	Photometry Report <sup>1</sup>	IES File <sup>4</sup>	Flux (lm/4ft) <sup>1</sup>	Efficacy (LPW) <sup>1</sup>	UGR <sup>2</sup>	Photometry Report <sup>1</sup>	IES File <sup>4</sup>	Flux (lm/4ft) <sup>1</sup>	Efficacy (LPW) <sup>1</sup>	UGR <sup>2</sup>	Photometry Report <sup>1</sup>	IES File <sup>4</sup>	Flux (lm/4ft) <sup>1</sup>	Efficacy (LPW) <sup>1</sup>	UGR <sup>2</sup>	Photometry Report <sup>1</sup>	IES File <sup>4</sup>	Flux (lm/4ft) <sup>1</sup>	Efficacy (LPW) <sup>1</sup>	UGR <sup>2</sup>	Photometry Report <sup>1</sup>	IES File <sup>4</sup>		
	Direct	Input Power (W/4ft) <sup>3</sup>																																	
BioUp <sup>5</sup>	3,000	35.2	3,101	92	25	PDF	IES	3,101	90	25	PDF	-	3,101	88	25	PDF	-	3,101	86	25	PDF	-	3,101	84	25	PDF	-	-	-	-	-	-	-	-	
	2,200	24.4	2,277	97	24	PDF	IES	2,277	95	24	PDF	-	2,277	94	24	PDF	-	2,277	92	24	PDF	-	2,277	90	24	PDF	-	-	-	-	-	-	-	-	
	1,500	16.1	1,552	100	22	PDF	IES	1,552	98	22	PDF	-	1,552	96	22	PDF	-	1,552	95	22	PDF	-	1,552	93	22	PDF	-	-	-	-	-	-	-	-	
Tunable White <sup>5</sup>	3,000	32.0	3,105	94	25	PDF	IES	3,105	95	25	PDF	-	3,105	97	25	PDF	-	3,105	99	25	PDF	-	3,105	101	25	PDF	-	3,105	103	25	PDF	-	-	-	
	2,200	22.8	2,278	97	24	PDF	IES	2,278	98	24	PDF	-	2,278	100	24	PDF	-	2,278	101	24	PDF	-	2,278	104	24	PDF	-	2,278	105	24	PDF	-	-	-	
	1,500	15.4	1,551	98	22	PDF	IES	1,551	99	22	PDF	-	1,551	101	22	PDF	-	1,551	102	22	PDF	-	1,551	104	22	PDF	-	1,551	105	22	PDF	-	-	-	
Static White <sup>5</sup>	5,000	55.3	4,764	86	26	PDF	IES	4,944	89	26	PDF	IES	5,177	94	26	PDF	IES	5,190	94	26	PDF	IES	5,436	98	27	PDF	IES	-	-	-	-	-	-	-	
	4,000	43.4	3,815	88	25	PDF	IES	3,964	91	25	PDF	IES	4,140	95	26	PDF	IES	4,152	96	26	PDF	IES	4,347	100	26	PDF	IES	-	-	-	-	-	-		
	3,000	31.6	2,861	91	24	PDF	IES	2,972	94	24	PDF	IES	3,097	98	25	PDF	IES	3,111	98	25	PDF	IES	3,249	103	25	PDF	IES	-	-	-	-	-	-		
2,200	23.5	2,108	90	23	PDF	IES	2,189	93	23	PDF	IES	2,281	97	24	PDF	IES	2,289	97	24	PDF	IES	2,390	102	24	PDF	IES	-	-	-	-	-	-			
1,500	15.5	1,458	94	22	PDF	IES	1,513	98	22	PDF	IES	1,578	102	22	PDF	IES	1,579	102	22	PDF	IES	1,652	107	22	PDF	IES	-	-	-	-	-	-			

### TruGroove Recessed Direct (3901) Performance Symmetric Regressed MesoOptics Lens

Click "PDF" or "IES" text to download

Nominal CRI & CCT	CRI 90+, 2700K										CRI 90+, 3000K					CRI 90+, 3500K					CRI 90+, 4000K					CRI 90+, 5000K					CRI 90+, 6500K				
	Nominal Lumen Package (lm/4ft)		Input Power (W/4ft) <sup>3</sup>	Flux (lm/4ft) <sup>1</sup>	Efficacy (LPW) <sup>1</sup>	UGR <sup>2</sup>	Photometry Report <sup>1</sup>	IES File <sup>4</sup>	Flux (lm/4ft) <sup>1</sup>	Efficacy (LPW) <sup>1</sup>	UGR <sup>2</sup>	Photometry Report <sup>1</sup>	IES File <sup>4</sup>	Flux (lm/4ft) <sup>1</sup>	Efficacy (LPW) <sup>1</sup>	UGR <sup>2</sup>	Photometry Report <sup>1</sup>	IES File <sup>4</sup>	Flux (lm/4ft) <sup>1</sup>	Efficacy (LPW) <sup>1</sup>	UGR <sup>2</sup>	Photometry Report <sup>1</sup>	IES File <sup>4</sup>	Flux (lm/4ft) <sup>1</sup>	Efficacy (LPW) <sup>1</sup>	UGR <sup>2</sup>	Photometry Report <sup>1</sup>	IES File <sup>4</sup>	Flux (lm/4ft) <sup>1</sup>	Efficacy (LPW) <sup>1</sup>	UGR <sup>2</sup>	Photometry Report <sup>1</sup>	IES File <sup>4</sup>		
	Direct	Input Power (W/4ft) <sup>3</sup>																																	
BioUp <sup>5</sup>	3,000	35.2	2,997	89	23	PDF	IES	2,997	87	23	PDF	-	2,997	85	23	PDF	-	2,997	84	23	PDF	-	2,997	81	23	PDF	-	-	-	-	-	-	-		
	2,200	24.4	2,202	94	22	PDF	IES	2,202	92	22	PDF	-	2,202	90	22	PDF	-	2,202	89	22	PDF	-	2,202	87	22	PDF	-	-	-	-	-	-	-		
	1,500	16.1	1,500	96	20	PDF	IES	1,500	95	20	PDF	-	1,500	93	20	PDF	-	1,500	92	20	PDF	-	1,500	90	20	PDF	-	-	-	-	-	-	-		
Tunable White <sup>5</sup>	3,000	32.0	3,001	90	23	PDF	IES	3,001	92	23	PDF	-	3,001	94	23	PDF	-	3,001	95	23	PDF	-	3,001	98	23	PDF	-	3,001	99	23	PDF	-	-	-	
	2,200	22.8	2,202	94	22	PDF	IES	2,202	95	22	PDF	-	2,202	97	22	PDF	-	2,202	98	22	PDF	-	2,202	100	22	PDF	-	2,202	102	22	PDF	-	-	-	
	1,500	15.4	1,499	95	20	PDF	IES	1,499	96	20	PDF	-	1,499	97	20	PDF	-	1,499	99	20	PDF	-	1,499	101	20	PDF	-	1,499	102	20	PDF	-	-	-	
Static White <sup>5</sup>	5,000	55.3	4,605	83	24	PDF	IES	4,779	86	24	PDF	IES	5,004	91	25	PDF	IES	5,018	91	25	PDF	IES	5,255	95	25	PDF	IES	-	-	-	-	-	-		
	4,000	43.4	3,688	85	24	PDF	IES	3,832	88	24	PDF	IES	4,002	92	24	PDF	IES	4,014	93	24	PDF	IES	4,202	97	24	PDF	IES	-	-	-	-	-	-		
	3,000	31.6	2,765	88	23	PDF	IES	2,873	91	23	PDF	IES	2,994	95	23	PDF	IES	3,008	95	23	PDF	IES	3,141	99	23	PDF	IES	-	-	-	-	-	-		
2,200	23.5	2,038	87	22	PDF	IES	2,116	90	22	PDF	IES	2,205	94	22	PDF	IES	2,213	94	22	PDF	IES	2,310	98	22	PDF	IES	-	-	-	-	-	-			
1,500	15.5	1,410	91	20	PDF	IES	1,462	94	20	PDF	IES	1,526	99	21	PDF	IES	1,526	99	21	PDF	IES	1,597	103	21	PDF	IES	-	-	-	-	-	-			

- 1ft Luminaire photometry has been conducted in accordance with IES LM-79-08. Photometry should be scaled for luminaire configurations other than 4ft. Luminaires with finishes other than standard white may result in a drop in flux and efficacy.
2. Unified Glare Ratio (UGR) is calculated in accordance with CIE 117-1995. Reference conditions of 4Hx8Hx1H and reflectances of 70/50/20% have been applied using the procedure described in CIE 190-2010.
3. Input power stated at 3500K.
4. IES files can be downloaded by clicking the links in the table above, or online at [www.ledalite.com](http://www.ledalite.com). TruGroove recessed luminaire IES files are provided as 4ft sections. Note, BioUp & Tunable white IES files provided at 2700K.
5. BioUp & Tunable White, stated with Advance FlexTune SR driver & Interact scalable wireless sensor, Static White stated with Advance Xitanium 0-10V driver, data may vary with other drivers.

© 2024 Signify Holding. All rights reserved. The information provided herein is subject to change, without notice. Signify does not give any representation or warranty as to the accuracy or completeness of the information included herein and shall not be liable for any action in reliance thereon. The information presented in this document is not intended as any commercial offer and does not form part of any quotation or contract, unless otherwise agreed by Signify.



Signify North America Corp.  
400 Crossing Blvd, Suite 600  
Bridgewater, NJ 08807  
Telephone: 800-555-0050

Signify Canada Ltd.  
281 Hillmount Road,  
Markham, ON, Canada L6C 2S3  
Telephone: 800-668-9008

All trademarks are owned by Signify Holding or their respective owners.