



**Hadco Grande Manor** post top family offers a simple modern take on the traditional lantern, providing style and elegance to downtown areas, commercial developments, parks and residential communities. The Grande Manor offers a range of optical distributions and panel globes to suite any application. Powered by TrueForce LED lamp, Grande Manor provides longevity and energy savings. TrueForce LED lamp is shipped with the luminaire.

Project: \_\_\_\_\_  
 Location: \_\_\_\_\_  
 Cat.No: \_\_\_\_\_  
 Type: \_\_\_\_\_  
 Lumens: \_\_\_\_\_ Qty: \_\_\_\_\_  
 Notes: \_\_\_\_\_

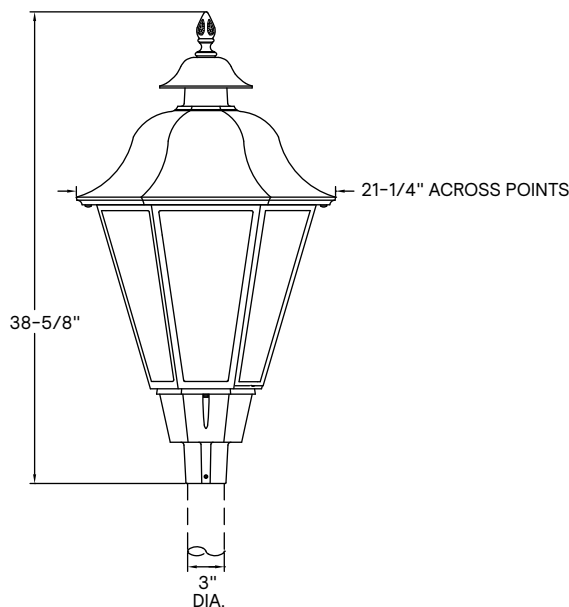
### Ordering guide

**Example: 6134-BLK-B-D-26L730-E-T0-B**

Series	Finish	Panel	Socket	Wattage	Voltage	Distribution	Photo control
<b>6134</b>						<b>T0</b>	
<b>6134</b> Grande Manor	<b>BLK</b> Black <b>BRZ</b> Bronze <b>FGN</b> Forest Green <b>VGN</b> Verde <b>WHT</b> White	<b>B</b> Opal Acrylic <b>Q</b> Prismatic	<b>D</b> Medium <b>G</b> Mogul	<b>26L730</b> <sup>1</sup> <b>26L740</b> <sup>1</sup> <b>35L730</b> <sup>2</sup> <b>35L740</b> <sup>2</sup> <b>55L730</b> <sup>2</sup> <b>55L740</b> <sup>2</sup>	<b>E</b> 120V <b>F</b> 208 V <b>G</b> 240V <b>H</b> 277V	<b>T0</b> Bare Lamp	<b>B</b> Button Eye <b>N</b> None

1. Only available with medium (D) socket
2. Only available with mogul (G) socket
3. Button eye (B) available in 120V ( E ) only

### Dimensions



- Width:** 21-1/4" / 54cm across points
- Height:** 38-5/8" / 98cm
- Fitter:** 3" / 8cm I.D.
- EPA:** 2.60 sq. ft (maximum)
- Weight:** 43 lbs / 19.50 kg (maximum)

# 6134 Grande Manor

## Post top

### LED Wattage and Lumen Values: Grande Manor 6134

Opal Panel 3000K		Lamp		
Ordering Code:	Average System Wattage (W)	Delivered Lumens	Efficacy (LPW)	BUG Rating
B-26L730-T0	26W	1475	57	B1-U3-G1
B-35L730-T0	35W	2379	70	B1-U4-G2
B-55L730-T0	55W	3789	72	B1-U4-G3

Prismatic Panel 3000K		Lamp		
Ordering Code:	Average System Wattage (W)	Delivered Lumens	Efficacy (LPW)	BUG Rating
Q-26L730-T0	26W	1716	67	B1-U3-G2
Q-35L730-T0	35W	2768	81	B1-U4-G2
Q-55L730-T0	55W	4408	84	B2-U5-G3

Opal Panel 4000K		Lamp		
Ordering Code:	Average System Wattage (W)	Delivered Lumens	Efficacy (LPW)	BUG Rating
B-26L740-T0	26W	1584	64	B1-U3-G1
B-35L740-T0	35W	2379	70	B1-U4-G2
B-55L740-T0	55W	4069	79	B1-U5-G3

Prismatic Panel 4000K		Lamp		
Ordering Code:	Average System Wattage (W)	Delivered Lumens	Efficacy (LPW)	BUG Rating
Q-26L740-T0	26W	1843	75	B1-U4-G2
Q-35L740-T0	35W	2768	81	B1-U4-G2
Q-55L740-T0	55W	4733	91	B2-U5-G3

Values from photometric tests performed in accordance with IESNA LM-79 and are representative of the configurations shown. Actual performance may vary due to installation and environmental variables, LED and driver tolerances, and field measurement considerations. It is highly recommended to confirm performance with a photometric layout.

**NOTE: Some data may be scaled based on tests of similar (but not identical) luminaires. Contact factory for configurations not shown.**

### Specifications:

#### Housing

**Access Mechanism:** Cast aluminum finial and roof cap. Cast aluminum hex roof secures to cage with two stainless steel screws. Cast aluminum hex cage with two-piece cast aluminum moisture proof ballast compartment. 3" dia. fitter slips over post or tenon.

#### Panels:

- B Opal Acrylic
- Q Prismatic

#### LED lamp

Lamp included. Medium or Mogul Base socket lamp, composed of high-performance white LEDs. Color temperature, 3000 or 4000 Kelvin, CRI 70 Nominal. Power factor of 90% minimum. Electronic driver, operating range 50/60 Hz. Auto-adjusting universal voltage input from 120 to 277 VAC. Maximum ambient operating temperature from -40F(-40C) to 130F(55C)

#### Luminaire Useful Life

50,000 hours L70 25C

#### Hardware

All non-ferrous fasteners prevent corrosion and ensure longer life.

#### Wiring

18 AWG wire, 6" (152mm) minimum exceeding from luminaire.

#### Finish

Color in accordance with the AAMA 2603 standard. Application of polyester powder coat paint (4 mils/100 microns) with  $\pm 1$  mils / 24 microns of tolerance. The Thermosetting resins provides a discoloration resistant finish in accordance with the ASTM D2244 standard, as well as luster retention in keeping with the ASTM D523 standard and humidity proof in accordance with the ASTM D2247 standard. The surface treatment achieves a minimum of 2000 hours for salt spray resistant finish in accordance with testing performed and per ASTM B117 standard.

#### Quality Control

The manufacturer must provide a written confirmation of its ISO 9001 2008 and ISO 14001 2004 International Quality Standards Certification.

#### Certifications and Compliance

ETL Listed to U.S. safety standards for wet locations. cETL Listed to Canadian safety standards for wet locations.

#### Warranty

5 year extended warranty. Go to [www.signify.com/warranties](http://www.signify.com/warranties) for more information.