

# P110

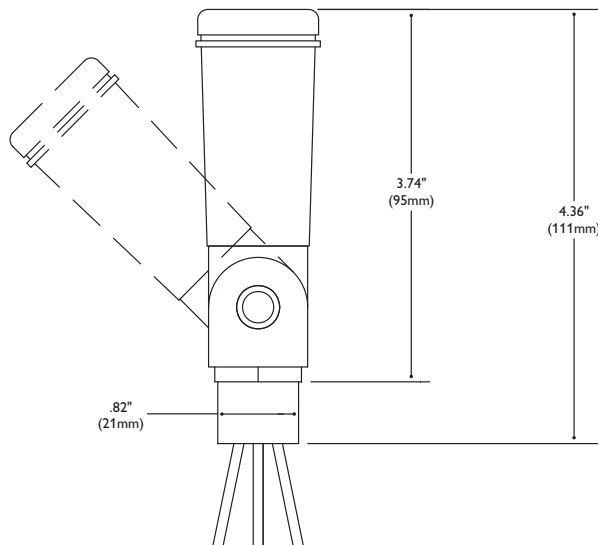
## Architectural Pencil Photocontrols

### Features

- Thin cylindrical polycarbonate housing for tight applications.
- Field adjustable 1/2" threaded swivel base with "O" ring seal to prevent water entering through knuckle.
- 6" #18 AWG wire leads rated at 105°C.
- Fail mode ON, contacts normally closed.



### Dimensions



Catalogue No.	Volts	Max. Watts Incandescent	Max. Watts HID	
			HPF	NPF
P110A	120	1800	1000	400

### Job Information

### Type:

**Job Name:**

**Cat. No.:**

**Lamp(s):**

**Notes:**