



GENLYTE SOLUTIONS

a Signify business

Let us light the way
for your project.
Quality lighting,
delivered fast.

5-10 day shipping offerings

Q4 2024 Edition

Day-Brite

Stonco

LIGHTOLIER

CHLORIDE

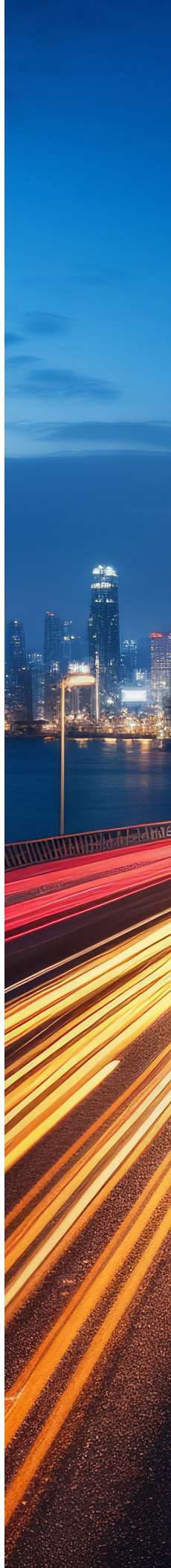
Tackle your lighting project quickly

Tight project timelines can't hold you back, get quality lighting delivered within 5-10 shipping days. Our solutions can light the way for your next project with the Design Ready portfolio.

The selected QuickShip, high performance luminaires from Genlyte Solutions brands include Lightolier, Day-Brite, Chloride, and Stonco offerings.

Illuminate your space with ease

Genlyte Solutions provides the lighting solution for every project whether it's lighting and connecting your public spaces, giving your space an energy-saving upgrade, or working on a yet to be constructed project, we've got you covered. Our Design Ready portfolio makes it easy for you to find highly configurable lighting with modern designs within your timeline and your budget.



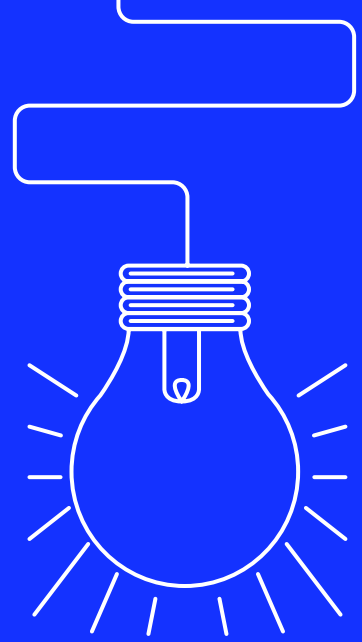


Table of contents

Lightolier LyteProfile	2
Lightolier ModuLyte	4
Lightolier Commercial Retrofit	6
Day-Brite HCY	7
Day-Brite FluxPanel	8
Day-Brite Selectable Troffer (DSRT).	10
Day-Brite SofTrace	12
Day-Brite FluxGrid	14
Day-Brite FCY.	17
Day-Brite FBY.	18
Day-Brite FBZ.	20
Day-Brite VTS Sealed Strip	21
Day-Brite SDS Selectable Strip.	22
Day-Brite V3W Vaporlume.	23
Day-Brite FluxSpace Strip.	24
Day-Brite NWL Wraparound	25
Day-Brite FluxStream Strip	26
Chloride Value+.	28
Chloride 44R Series	29
Stonco SlimFlood Dual Select	30
Stonco Adjustable Slim Wall Pack	31
Stonco LytePro Wall	32
Stonco LytePro Area	36
Stonco Garage & Canopy	37
Stonco LytePro Garage & Canopy	38

Click product family name to
jump to catalog page!



LyteProfile

LED upgrade with ease

LyteProfile's adaptable design with AccuRender 90+ CRI technology maximizes color quality and efficacy

LyteProfile Frame

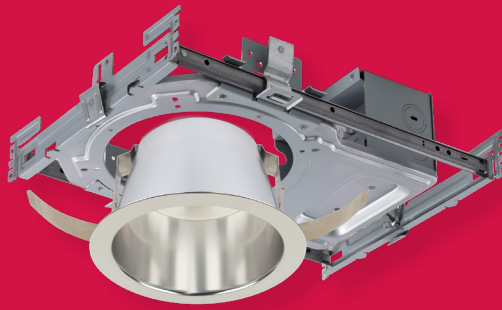
Example: 3RN

Ordering Code	Series	Aperture	Installation	Options
3RN	3	R Round	N New construction (non-IC)	
3RNLC	3	R Round	N New construction (non-IC)	LC Chicago Plenum
3RA	3	R Round	A AirSeal IC (1000lm max)	
3RAS	3	R Round	A AirSeal IC (1000lm max)	S Shallow Universal
3SN	3	S Square	N New construction (non-IC)	
3SNLC	3	S Square	N New construction (non-IC)	LC Chicago Plenum
3SA	3	S Square	A AirSeal IC (1000lm max)	
3SAS	3	S Square	A AirSeal IC (1000lm max)	S Shallow Universal
4RN	4	R Round	N New construction (non-IC)	
4RNLC	4	R Round	N New construction (non-IC)	LC Chicago Plenum
4RR	4	R Round	R Remodeler (non-IC)	
6RN	6	R Round	N New construction (non-IC)	
6RNLC	6	R Round	N New construction (non-IC)	LC Chicago Plenum
6RR	6	R Round	R Remodeler (non-IC)	

LyteProfile Engine/Trim

Example: P3RA10930NFCCE1

Ordering Code	Family	Style	Lumens	Color Temp.	Beam	Reflector	Flange	Dimming	Voltage	Plenum
P3RA10930NFCCE1	P3R	A Adjustable accent	10 1,000lm	930 3,000K (90CRI)	NF Narrow flood	CC Comfort clear	- White	E ELV	1 120V	
P3RA10930NFCCE1S	P3R	A Adjustable accent	10 1,000lm	930 3,000K (90CRI)	NF Narrow flood	CC Comfort clear	- White	E ELV	1 120V	S Shallow
P3RA10930NFCCE10U	P3R	A Adjustable accent	10 1,000lm	930 3,000K (90CRI)	NF Narrow flood	CC Comfort clear	- White	Z10 0-10V	U 120-277V	
P3RA10930NFCCE10US	P3R	A Adjustable accent	10 1,000lm	930 3,000K (90CRI)	NF Narrow flood	CC Comfort clear	- White	Z10 0-10V	U 120-277V	S Shallow
P3RA10935NFCCE1	P3R	A Adjustable accent	10 1,000lm	935 3,500K (90CRI)	NF Narrow flood	CC Comfort clear	- White	E ELV	1 120V	
P3RA10935NFCCE1S	P3R	A Adjustable accent	10 1,000lm	935 3,500K (90CRI)	NF Narrow flood	CC Comfort clear	- White	E ELV	1 120V	S Shallow
P3RA10935NFCCE10US	P3R	A Adjustable accent	10 1,000lm	935 3,500K (90CRI)	NF Narrow flood	CC Comfort clear	- White	Z10 0-10V	U 120-277V	S Shallow
P3RLW10930WCCE1	P3R	LW Lensed wall wash	10 1,000lm	930 3,000K (90CRI)	W Wide	CC Comfort clear	- White	E ELV	1 120V	
P3RLW10930WCCE1S	P3R	LW Lensed wall wash	10 1,000lm	930 3,000K (90CRI)	W Wide	CC Comfort clear	- White	E ELV	1 120V	S Shallow



LyteProfile Engine/Trim

Example: P3RA10930NFCCE1

Ordering Code	Family	Style	Lumens	Color Temp.	Beam	Reflector	Flange	Dimming	Voltage	Plenum
P3RLW10930WCCZ10U	P3R	LW Lensed wall wash	10 1,000lm	930 3,000K (90CRI)	W Wide	CC Comfort clear	- White	Z10 0-10V	U 120-277V	
P3RLW10935WCCE1	P3R	LW Lensed wall wash	10 1,000lm	935 3,500K (90CRI)	W Wide	CC Comfort clear	- White	E ELV	1 120V	
P3RLW10935WCCE1S	P3R	LW Lensed wall wash	10 1,000lm	935 3,500K (90CRI)	W Wide	CC Comfort clear	- White	E ELV	1 120V	S Shallow
P3RLW10935WCCZ10U	P3R	LW Lensed wall wash	10 1,000lm	935 3,500K (90CRI)	W Wide	CC Comfort clear	- White	Z10 0-10V	U 120-277V	
P3SLW10930WCCE1	P3S	LW Lensed wall wash	10 1,000lm	930 3,000K (90CRI)	W Wide	CC Comfort clear	- White	E ELV	1 120V	
P3SLW10930WCCE1S	P3S	LW Lensed wall wash	10 1,000lm	930 3,000K (90CRI)	W Wide	CC Comfort clear	- White	E ELV	1 120V	S Shallow
P3SLW10930WCCZ10U	P3S	LW Lensed wall wash	10 1,000lm	930 3,000K (90CRI)	W Wide	CC Comfort clear	- White	Z10 0-10V	U 120-277V	
P3SLW10935WCCE1	P3S	LW Lensed wall wash	10 1,000lm	935 3,500K (90CRI)	W Wide	CC Comfort clear	- White	E ELV	1 120V	
P3SLW10935WCCE1S	P3S	LW Lensed wall wash	10 1,000lm	935 3,500K (90CRI)	W Wide	CC Comfort clear	- White	E ELV	1 120V	S Shallow
P4RDL15935WCCZ10U	P4R	D Downlight	15 1,500lm	935 3,500K (90CRI)	W Wide	CC Comfort clear	- White	Z10 0-10V	U 120-277V	
P4SLW15935WWHZ10U	P4R	LW Lensed wall wash	15 1,500lm	935 3,500K (90CRI)	W Wide	W White	- White	Z10 0-10V	U 120-277V	
P4RDL20935WCCZ10U	P4R	D Downlight	20 2,000lm	935 3,500K (90CRI)	W Wide	CC Comfort clear	- White	Z10 0-10V	U 120-277V	
P6RDL15935WCCZ10U	P6R	D Downlight	15 1,500lm	935 3,500K (90CRI)	W Wide	CC Comfort clear	- White	Z10 0-10V	U 120-277V	
P6RDL20935WCCZ10U	P6R	D Downlight	20 2,000lm	935 3,500K (90CRI)	W Wide	CC Comfort clear	- White	Z10 0-10V	U 120-277V	
P6RLW20935WCCZ10U	P6R	LW Lensed wall wash	20 2,000lm	935 3,500K (90CRI)	W Wide	CC Comfort clear	- White	Z10 0-10V	U 120-277V	
P6RDL20940WCCZ10U	P6R	D Downlight	20 2,000lm	940 4,000K (90CRI)	W Wide	CC Comfort clear	- White	Z10 0-10V	U 120-277V	

ModuLyte

Adapting to changes while keeping construction schedules

ModuLyte is a true commercial downlight in appeal and performance with a budget-friendly architecture.

ModuLyte Frame (optional)

Example: 4RNSR

Ordering Code	Size	Application	Installation	Shape
4RNSR	4 4"	R Recessed	N New construction	SR Square and round
6RNSR	6 6"	R Recessed	N New construction	SR Square and round
8RNR	8 8"	R Recessed	N New construction	R Round

4" ModuLyte Engine/Trim

Example: M4RDL259CSWCDZ10U

Ordering Code	Family	Lumens (max)	Color Temp.	Beam	Reflector	Dimming	Voltage
M4RDL259CSWCLZ10U	M4RDL	25 2500lm	9CS 2700K, 3000K, 3500K, 4000K, 5000K	W Wide	CL Clear	Z10 0-10V U 120-277V	
M4RDL259CSWCDZ10U	M4RDL	25 2500lm	9CS 2700K, 3000K, 3500K, 4000K, 5000K	W Wide	CD Clear diffuse	Z10 0-10V U 120-277V	
M4RDL259CSWWHZ10U	M4RDL	25 2500lm	9CS 2700K, 3000K, 3500K, 4000K, 5000K	W Wide	WH White	Z10 0-10V U 120-277V	

6" ModuLyte Engine/Trim

Example: M6RDL259CSWCDZ10U

Ordering Code	Family	Lumens (max)	Color Temp.	Beam	Reflector	Dimming	Voltage
M6RDL259CSWCLZ10U	M6RDL	25 2500lm	9CS 2700K, 3000K, 3500K, 4000K, 5000K	W Wide	CL Clear	Z10 0-10V U 120-277V	
M6RDL259CSWCDZ10U	M6RDL	25 2500lm	9CS 2700K, 3000K, 3500K, 4000K, 5000K	W Wide	CD Clear diffuse	Z10 0-10V U 120-277V	
M6RDL259CSWWHZ10U	M6RDL	25 2500lm	9CS 2700K, 3000K, 3500K, 4000K, 5000K	W Wide	WH White	Z10 0-10V U 120-277V	
M6RDL409CSMCLZ10U	M6RDL	40 4000lm	9CS 2700K, 3000K, 3500K, 4000K, 5000K	M Medium	CL Clear	Z10 0-10V U 120-277V	
M6RDL409CSMCDZ10U	M6RDL	40 4000lm	9CS 2700K, 3000K, 3500K, 4000K, 5000K	M Medium	CD Clear diffuse	Z10 0-10V U 120-277V	
M6RDL409CSMWHZ10U	M6RDL	40 4000lm	9CS 2700K, 3000K, 3500K, 4000K, 5000K	M Medium	WH White	Z10 0-10V U 120-277V	

8" ModuLyte Engine/Trim

Example: M8RDL259CSWCDZ10U

Ordering Code	Family	Lumens (max)	Color Temp.	Beam	Reflector	Dimming	Voltage
M8RDL259CSWCLZ10U	M8RDL	25 2500lm	9CS 2700K, 3000K, 3500K, 4000K, 5000K	W Wide	CL Clear	Z10 0-10V U 120-277V	
M8RDL259CSWCDZ10U	M8RDL	25 2500lm	9CS 2700K, 3000K, 3500K, 4000K, 5000K	W Wide	CD Clear diffuse	Z10 0-10V U 120-277V	
M8RDL259CSWWHZ10U	M8RDL	25 2500lm	9CS 2700K, 3000K, 3500K, 4000K, 5000K	W Wide	WH White	Z10 0-10V U 120-277V	
M8RDL409CSMCLZ10U	M8RDL	40 4000lm	9CS 2700K, 3000K, 3500K, 4000K, 5000K	M Medium	CL Clear	Z10 0-10V U 120-277V	
M8RDL409CSMCDZ10U	M8RDL	40 4000lm	9CS 2700K, 3000K, 3500K, 4000K, 5000K	M Medium	CD Clear diffuse	Z10 0-10V U 120-277V	
M8RDL409CSMWHZ10U	M8RDL	40 4000lm	9CS 2700K, 3000K, 3500K, 4000K, 5000K	M Medium	WH White	Z10 0-10V U 120-277V	



Accessories	
M4RLW	ML 4IN RND LENS WW OPTIC
M4MED	ML 4IN RND MED BEAM OPTIC
M4GRW	ML 4IN RND GOOF RING WH
M6RLW	ML 6IN RND LENS WW OPTIC
M6MED	ML 6IN RND MED BEAM OPTIC
M6GRW	ML 6IN RND GOOF RING WH
M8RLW	ML 8IN RND LENS WW OPTIC
M8MED	ML 8IN RND MED BEAM OPTIC
M8GRW	ML 8IN RND GOOF RING WH

Commercial Retrofit



Bright, brighter, **brightest**

Will reduce on-site time and headaches for busy installers with its adjustable lumen and color output switch.

Commercial Retrofit

Example: CR4RLMCCT

Ordering Code	Family	Size/Lumens	Color Temperature	Voltage	Finish
CR4RLMCCT	CR	4LRM 4" Round 500-1000lm, 90CRI	CCT 3000K/3500K/4000K (80CRI)	- 120-347V	- White
CR6RLMCCT	CR	6LRM 6" Round 700-1500lm, 90CRI	CCT 3000K/3500K/4000K (80CRI)	- 120-347V	- White
CR8RLMCCT	CR	8LRM 8" Round 1000-2000lm, 90CRI	CCT 3000K/3500K/4000K (80CRI)	- 120-347V	- White
CR10RLMCCT	CR	10LRM 10" Round 2000-3000lm, 90CRI	CCT 3000K/3500K/4000K (80CRI)	- 120-347V	- White



HCY High Bay



Modern design and energy savings

A great new look with no more sacrifices and dependability you can trust.

HCY High Bay

Example: **HCY0823L8CST-UN3-DIM-BK**

Ordering Code	Lumens	Color Temperature	Voltage	Driver	Finish
HCY0823L8CST-UN3-DIM-BK	0823L 8,000/23,000lm	8CST 4,000K/5,000K (80CRI)	UN3 120-347V	DIM 0-10V	BK Black
HCY0823L8CST-UN3-DIM-WH	0823L 8,000/23,000lm	8CST 4,000K/5,000K (80CRI)	UN3 120-347V	DIM 0-10V	WH White
HCY2437L8CST-UN3-DIM-BK	2437L 24,000/37,000lm	8CST 4,000K/5,000K (80CRI)	UN3 120-347V	DIM 0-10V	BK Black
HCY2437L8CST-UN3-DIM-WH	2437L 24,000/37,000lm	8CST 4,000K/5,000K (80CRI)	UN3 120-347V	DIM 0-10V	WH White

Accessories	
HCY3-WGSM	Wire guard for HCY0823L
HCY3-WGLG	Wire guard for HCY2437L
HCY3-SURFACE BKT SM	Surface mount bracket for HCY0823L
HCY3-SURFACE BKT LG	Surface mount bracket for HCY2437L
HCY3-PRSM	Clear polycarbonate reflector HCY0823L
HCY3-PRLG	Clear polycarbonate reflector HCY2437L
HCY3-LCSMLG	Clear polycarbonate lens cover for HCY3
HCY-SENSOR	Round Highbay DS Sensor
HCY-REMOTE	Round Highbay DS Remote 4 Sensor program

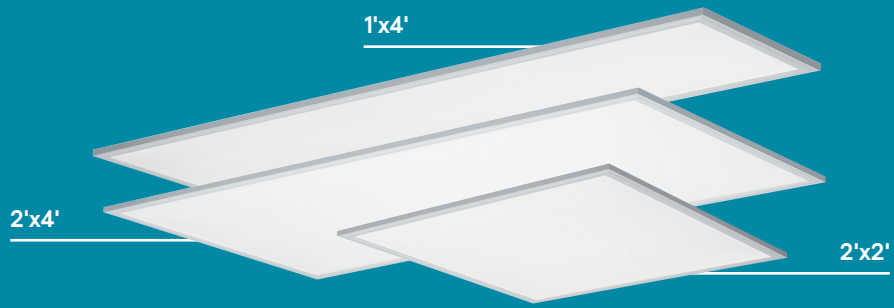
FluxPanel

Uniform surface of light provides low glare, flicker free lighting at an affordable price.

FluxPanel

Example: 1FPZ38B835-4-DS-UNV-DIM

Ordering Code	Width	Lumens	Color Temp.	Length	Diffuser	Voltage	Driver	Options
1FPZ38B835-4-DS-UNV-DIM	1 1'	38B 3,800lm	835 3,500K (80CRI)	4 4'	DS Diffuse smooth	UNV 120-277V	DIM 0-10V	
1FPZ38B840-4-DS-UNV-DIM	1 1'	38B 3,800lm	840 4,000K (80CRI)	4 4'	DS Diffuse smooth	UNV 120-277V	DIM 0-10V	
2FPZ20L835-2-DS-UNV DIM	2 2'	20L 2,000lm	835 3,500K (80CRI)	2 2'	DS Diffuse smooth	UNV 120-277V	DIM 0-10V	
2FPZ20L840-2-DS-UNV DIM	2 2'	20L 2,000lm	840 4,000K (80CRI)	2 2'	DS Diffuse smooth	UNV 120-277V	DIM 0-10V	
2FPZ20L850-2-DS-UNV DIM	2 2'	20L 2,000lm	850 5,000K (80CRI)	2 2'	DS Diffuse smooth	UNV 120-277V	DIM 0-10V	
2FPZ30L835-2-DS-UNV DIM	2 2'	30L 3,000lm	835 3,500K (80CRI)	2 2'	DS Diffuse smooth	UNV 120-277V	DIM 0-10V	
2FPZ30L840-2-DS-UNV DIM	2 2'	30L 3,000lm	840 4,000K (80CRI)	2 2'	DS Diffuse smooth	UNV 120-277V	DIM 0-10V	
2FPZ38B835-2-DS-UNV-DIM	2 2'	38B 3,800lm	835 3,500K (80CRI)	2 2'	DS Diffuse smooth	UNV 120-277V	DIM 0-10V	
2FPZ38B840-2-DS-UNV-DIM	2 2'	38B 3,800lm	840 4,000K (80CRI)	2 2'	DS Diffuse smooth	UNV 120-277V	DIM 0-10V	
2FPZ38B850-2-DS-UNV-DIM	2 2'	38B 3,800lm	850 5,000K (80CRI)	2 2'	DS Diffuse smooth	UNV 120-277V	DIM 0-10V	
2FPZ42B850-2-DS-UNV-DIM	2 2'	42L 4,200lm	850 5,000K (80CRI)	2 2'	DS Diffuse smooth	UNV 120-277V	DIM 0-10V	
2FPZ30L835-4-DS-UNV DIM	2 2'	30L 3,000lm	835 3,500K (80CRI)	4 4'	DS Diffuse smooth	UNV 120-277V	DIM 0-10V	
2FPZ30L840-4-DS-UNV DIM	2 2'	30L 3,000lm	840 4,000K (80CRI)	4 4'	DS Diffuse smooth	UNV 120-277V	DIM 0-10V	
2FPZ30L850-4-DS-UNV DIM	2 2'	30L 3,000lm	850 5,000K (80CRI)	4 4'	DS Diffuse smooth	UNV 120-277V	DIM 0-10V	
2FPZ38L835-4-DS-UNV DIM	2 2'	38L 3,800lm	835 3,500K (80CRI)	4 4'	DS Diffuse smooth	UNV 120-277V	DIM 0-10V	
2FPZ38L840-4-DS-UNV DIM	2 2'	38L 3,800lm	840 4,000K (80CRI)	4 4'	DS Diffuse smooth	UNV 120-277V	DIM 0-10V	
2FPZ42B835-4-DS-UNV-DIM	2 2'	42B 4,200lm	835 3,500K (80CRI)	4 4'	DS Diffuse smooth	UNV 120-277V	DIM 0-10V	



FluxPanel

Example: 1FPZ38B835-4-DS-UNV-DIM

Ordering Code	Width	Lumens	Color Temp.	Length	Diffuser	Voltage	Driver	Options
2FPZ42B840-4-DS-UNV-DIM	2 2'	42B 4,200lm	840 4,000K (80CRI)	4 4'	DS Diffuse smooth	UNV 120-277V	DIM 0-10V	
2FPZ43L835-4-DS-UNV-DIM	2 2'	43L 4,300lm	835 3,500K (80CRI)	4 4'	DS Diffuse smooth	UNV 120-277V	DIM 0-10V	
2FPZ43L835-4-DS-UNV-DIM-BSL10LST	2 2'	43L 4,300lm	835 3,500K (80CRI)	4 4'	DS Diffuse smooth	UNV 120-277V	DIM 0-10V	BSL10LST Factory wired Bodine integral emergency pack

Accessories

FSF22	2'x2' surface mount field installation kit (field assembled)
FSF24	2'x4' surface mount field installation kit (field assembled)

Selectable Troffer (DSRT)

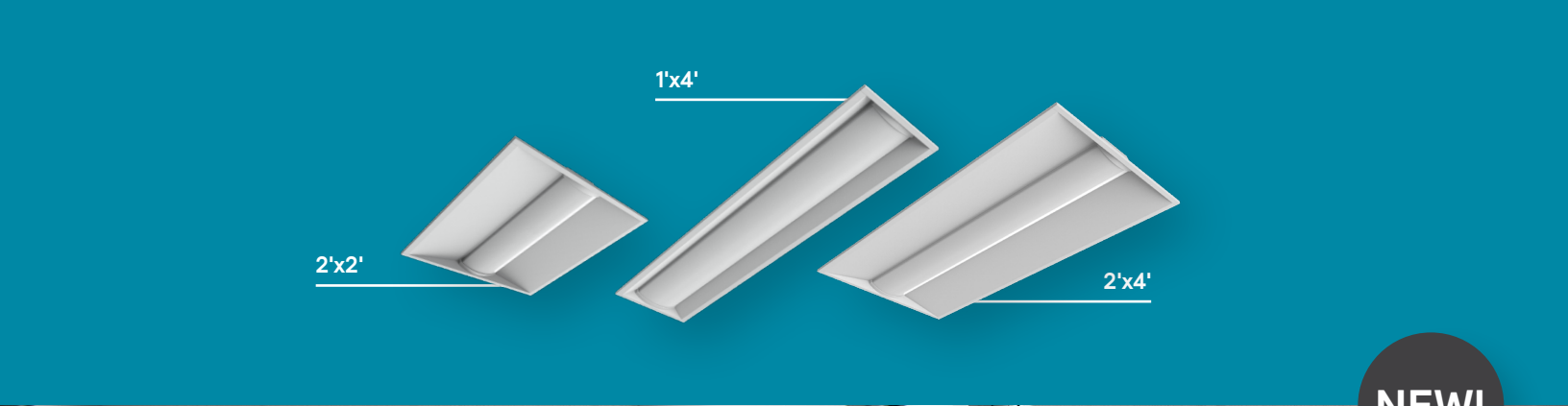
Slim, sturdy, and selectable.

Selectable Troffer LED (DSRT)

Example: 1DSRT3050LCS-4-UNV-DIM

Ordering Code	Width	Lumens	Color Temp.	Length	Voltage	Driver	Options
1DSRT3050LCS-4-UNV-DIM	1 1'	3050L 3000lm, 4000lm, 5000lm	CS 3500K, 4000K, 5000K	4 4'	UNV 120-277V	DIM 0-10V	
1DSRT3050LCS-4-UNV-DIM-DAYOCC	1 1'	3050L 3000lm, 4000lm, 5000lm	CS 3500K, 4000K, 5000K	4 4'	UNV 120-277V	DIM 0-10V	DAYOCC Daytime Occupancy Sensor
2DSRT3050LCS-2-UNV-DIM	2 2'	3050L 3000lm, 4000lm, 5000lm	CS 3500K, 4000K, 5000K	2 2'	UNV 120-277V	DIM 0-10V	
2DSRT4060LCS-4-UNV-DIM	2 2'	4060L 4000lm, 5000lm, 6000lm	CS 3500K, 4000K, 5000K	4 4'	UNV 120-277V	DIM 0-10V	
2DSRT3050LCS-2-UNV-DIM-DAYOCC	2 2'	3050L 3000lm, 4000lm, 5000lm	CS 3500K, 4000K, 5000K	2 2'	UNV 120-277V	DIM 0-10V	DAYOCC Daytime Occupancy Sensor
2DSRT4060LCS-4-UNV-DIM-DAYOCC	2 2'	4060L 4000lm, 5000lm, 6000lm	CS 3500K, 4000K, 5000K	4 4'	UNV 120-277V	DIM 0-10V	DAYOCC Daytime Occupancy Sensor

Accessories	
1DSRT-4-SKT	1x4' Selectable Troffer Surface Kit
2DSRT-2-SKT	2x2' Selectable Troffer Surface Kit
2DSRT-4-SKT	2x4' Selectable Troffer Surface Kit
DSRT-CKT-NP	Selectable Troffer Suspension Kit with no power



NEW!



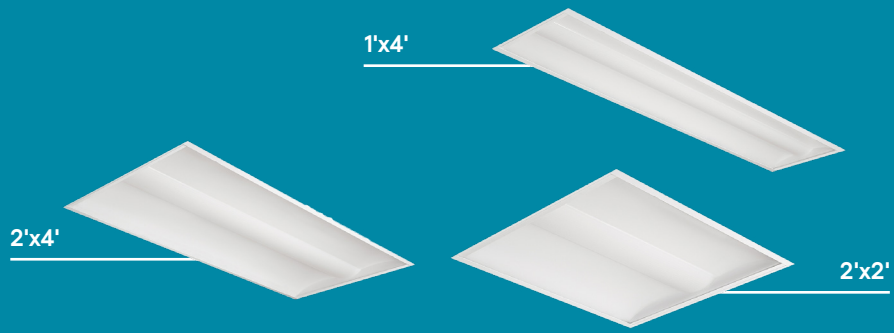
SofTrace Recessed

Combines style and performance.

SofTrace Recessed

Example: 1STXG30L835-4-D-UNV-DIM

Ordering Code	Lumens	Efficacy	CRI/CCT	Options
Common features: 1'x4', grid ceiling, diffuse ribbed, 120-277V, 0-10V				
1STXG30L835-4-D-UNV-DIM	30L 3000lm		835 80CRI, 3500K	
1STXG38B835-4-D-UNV-DIM	38B 3800lm		835 80CRI, 3500K	
1STXG38L835-4-D-UNV-DIM	38L 3800lm		835 80CRI, 3500K	
1STXG38L840-4-D-UNV-DIM	38L 3800lm		840 80CRI, 4000K	
1STXG45L835-4-D-UNV-DIM	45L 4500lm		835 80CRI, 3500K	
1STXG45L835-4-D-UNV-DIM-BSL10LST	45L 4500lm		835 80CRI, 3500K	BSL10LST Bodine 10W battery pack
1STXG45L840-4-D-UNV-DIM	45L 4500lm		840 80CRI, 4000K	
1STXG45LH840-4-D-UNV-DIM	45L 4500lm	H High efficacy	840 80CRI, 4000K	
Common features: 2'x2', grid ceiling, diffuse ribbed, 120-277V, 0-10V				
2STXG30L840-2-D-UNV-DIM	30L 3000lm		840 80CRI, 4000K	
2STXG38B835-2-D-UNV-DIM	38B 3800lm		835 80CRI, 3500K	
2STXG38B840-2-D-UNV-DIM	38B 3800lm		840 80CRI, 4000K	
2STXG38L835-2-D-UNV-DIM	38L 3800lm		835 80CRI, 3500K	
2STXG38L840-2-D-UNV-DIM	38L 3800lm		840 80CRI, 4000K	
2STXG38LH835-2-D-UNV-DIM	38L 3800lm	H High efficacy	835 80CRI, 3500K	
2STXG45L835-2-D-UNV-DIM	45L 4500lm		835 80CRI, 3500K	
2STXG45L835-2-D-UNV-DIM-BSL10LST	45L 4500lm		835 80CRI, 3500K	BSL10LST Bodine 10W battery pack
2STXG45L840-2-D-UNV-DIM	45L 4500lm		840 80CRI, 4000K	
Common features: 2'x4', grid ceiling, diffuse ribbed, 120-277V, 0-10V				
2STXG42B835-4-D-UNV-DIM	42B 4200lm		835 80CRI, 3500K	
2STXG42B840-4-D-UNV-DIM	42B 4200lm		840 80CRI, 4000K	
2STXG43L835-4-D-UNV-DIM	43L 4300lm		835 80CRI, 3500K	
2STXG43L835-4-D-UNV-DIM-BSL10LST	43L 4300lm		835 80CRI, 3500K	BSL10LST Bodine 10W battery pack
2STXG43L840-4-D-UNV-DIM	43L 4300lm		840 80CRI, 4000K	
2STXG43L840-4-D-UNV-DIM-BSL10LST	43L 4300lm		840 80CRI, 4000K	BSL10LST Bodine 10W battery pack
2STXG43LH840-4-D-UNV-DIM	43L 4300lm	H High efficacy	840 80CRI, 4000K	
2STXG48L835-4-D-UNV-DIM	48L 4800lm		835 80CRI, 3500K	
2STXG48L835-4-D-UNV-DIM-BSL10LST	48L 4800lm		835 80CRI, 3500K	BSL10LST Bodine 10W battery pack
2STXG48L840-4-D-UNV-DIM	48L 4800lm		840 80CRI, 4000K	
2STXG48LH835-4-D-UNV-DIM	48L 4800lm	H High efficacy	835 80CRI, 3500K	



SofTrace Recessed

Example: 1STXG30L835-4-D-UNV-DIM

Ordering Code	Lumens	Efficacy	CRI/CCT	Options
2STXG48LH835-4-D-UNV-DIM-BSL10LST	48L 4800lm	H High efficacy	835 80CRI, 3500K	BSL10LST Bodine 10W battery pack
2STXG54L835-4-D-UNV-DIM	54L 5400lm		835 80CRI, 3500K	
2STXG54L840-4-D-UNV-DIM	54L 5400lm		840 80CRI, 4000K	
2STXG54L840-4-D-UNV-DIM-BSL10LST	54L 5400lm		840 80CRI, 4000K	BSL10LST Bodine 10W battery pack
2STXG74L835-4-D-UNV-DIM	74L 7400lm		835 80CRI, 3500K	
2STXG74L835-4-D-UNV-DIM-BSL10LST	74L 7400lm		835 80CRI, 3500K	BSL10LST Bodine 10W battery pack
2STXG74L840-4-D-UNV-DIM	74L 7400lm		840 80CRI, 4000K	
2STXG74L840-4-D-UNV-DIM-BSL10LST	74L 7400lm		840 80CRI, 4000K	BSL10LST Bodine 10W battery pack

Accessories	
FMA14	1'x4' "F" mounting frame for NEMA "F" ceiling
FMA22	2'x2' "F" mounting frame for NEMA "F" ceiling
FMA24	2'x4' "F" mounting frame for NEMA "F" ceiling

FluxGrid

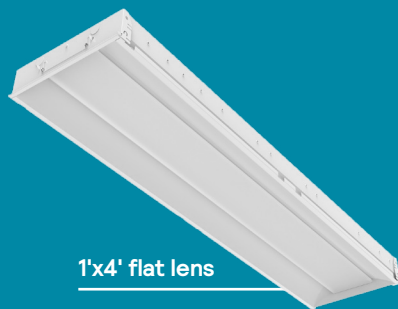
A product family configurable to fit your exact needs

Ideal for commercial, educational, and hospitality applications

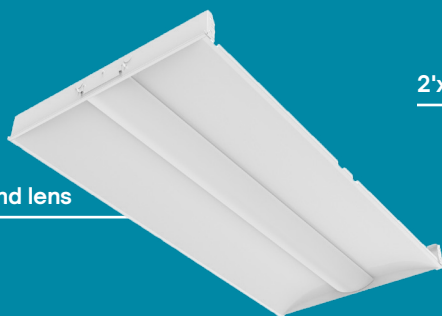
FluxGrid

Example: 1FGXG42B835-4-FS-UNV-DIM

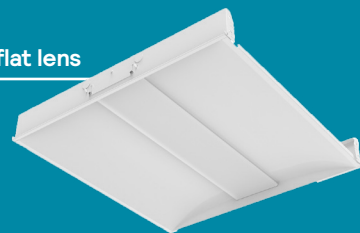
Ordering Code	Width	Ceiling Type	Air Function	Lumens	Color Temp.	Length	Diffuser	Voltage	Driver	Options
1FGXG42B835-4-FS-UNV-DIM	1 1'	G Grid		42B 4,200lm	835 3,500K (80CRI)	4 4'	FS Diffuse flat smooth	UNV 120-277V	DIM 0-10V	
1FGXG42B835-4-FS-UNV-DIM-CHIC	1 1'	G Grid		42B 4,200lm	835 3,500K (80CRI)	4 4'	FS Diffuse flat smooth	UNV 120-277V	DIM 0-10V	CHIC Chicago Plenum rated
1FGXG42B835-4-RS-UNV-DIM	1 1'	G Grid		42B 4,200lm	835 3,500K (80CRI)	4 4'	RS Diffuse round smooth	UNV 120-277V	DIM 0-10V	
1FGXG42B835-4-RS-UNV-DIM-CHIC	1 1'	G Grid		42B 4,200lm	835 3,500K (80CRI)	4 4'	RS Diffuse round smooth	UNV 120-277V	DIM 0-10V	CHIC Chicago Plenum rated
1FGXG42B840-4-FS-UNV-DIM	1 1'	G Grid		42B 4,200lm	840 4,000K (80CRI)	4 4'	FS Diffuse flat smooth	UNV 120-277V	DIM 0-10V	
1FGXG42B840-4-RS-UNV-DIM	1 1'	G Grid		42B 4,200lm	840 4,000K (80CRI)	4 4'	RS Diffuse round smooth	UNV 120-277V	DIM 0-10V	
2FGXG20L835-2-RS-UNV-DIM-SWZCS	2 2'	G Grid		20L 2,000lm	835 3,500K (80CRI)	2 2'	RS Diffuse round smooth	UNV 120-277V	DIM 0-10V	SWZCS Interact Pro scalable sensor w/ integral daylight & occupancy sensing
2FGXG20L840-2-RS-UNV-DIM-SWZCS	2 2'	G Grid		20L 2,000lm	840 4,000K (80CRI)	2 2'	RS Diffuse round smooth	UNV 120-277V	DIM 0-10V	SWZCS Interact Pro scalable sensor w/ integral daylight & occupancy sensing
2FGXG30L835-2-FS-UNV-DIM-SWZCS	2 2'	G Grid		30L 3,000lm	835 3,500K (80CRI)	2 2'	FS Diffuse flat smooth	UNV 120-277V	DIM 0-10V	SWZCS Interact Pro scalable sensor w/ integral daylight & occupancy sensing
2FGXG30L835-2-RS-UNV-DIM	2 2'	G Grid		30L 3,000lm	835 3,500K (80CRI)	2 2'	RS Diffuse round smooth	UNV 120-277V	DIM 0-10V	
2FGXG30L835-2-RS-UNV-DIM-SWZCS	2 2'	G Grid		30L 3,000lm	835 3,500K (80CRI)	2 2'	RS Diffuse round smooth	UNV 120-277V	DIM 0-10V	SWZCS Interact Pro scalable sensor w/ integral daylight & occupancy sensing
2FGXG30L840-2-FS-UNV-DIM-SWZCS	2 2'	G Grid		30L 3,000lm	840 4,000K (80CRI)	2 2'	FS Diffuse flat smooth	UNV 120-277V	DIM 0-10V	SWZCS Interact Pro scalable sensor w/ integral daylight & occupancy sensing
2FGXG30L840-2-RS-UNV-DIM	2 2'	G Grid		30L 3,000lm	840 4,000K (80CRI)	2 2'	RS Diffuse round smooth	UNV 120-277V	DIM 0-10V	



1'x4' flat lens



2'x4' round lens



2'x2' flat lens

FluxGrid

Example: 1FGXG42B835-4-FS-UNV-DIM

Ordering Code	Width	Ceiling Type	Air Function	Lumens	Color Temp.	Length	Diffuser	Voltage	Driver	Options
2FGXG30L840-2-RS-UNV-DIM-SWZCS	2 2'	G Grid		30L 3,000lm	840 4,000K (80CRI)	2 2'	RS Diffuse round smooth	UNV 120-277V	DIM 0-10V	SWZCS Interact Pro scalable sensor w/ integral daylight & occupancy sensing
2FGXG38B835-2-RS-UNV-DIM	2 2'	G Grid		38B 3,800lm	835 3,500K (80CRI)	2 2'	RS Diffuse round smooth	UNV 120-277V	DIM 0-10V	
2FGXG38B835-2-RS-UNV-DIM-CHIC	2 2'	G Grid		38B 3,800lm	835 3,500K (80CRI)	2 2'	RS Diffuse round smooth	UNV 120-277V	DIM 0-10V	CHIC Chicago Plenum rated
2FGXGH38B835-2-RS-UNV-DIM-CHIC	2 2'	G Grid	H Air return	38B 3,800lm	835 3,500K (80CRI)	2 2'	RS Diffuse round smooth	UNV 120-277V	DIM 0-10V	CHIC Chicago Plenum rated
2FGXG38B840-2-RS-UNV-DIM	2 2'	G Grid		38B 3,800lm	840 4,000K (80CRI)	2 2'	RS Diffuse round smooth	UNV 120-277V	DIM 0-10V	
2FGXG38L835-2-RS-UNV-DIM	2 2'	G Grid		38L 3,800lm	835 3,500K (80CRI)	2 2'	RS Diffuse round smooth	UNV 120-277V	DIM 0-10V	
2FGXG38L840-2-RS-UNV-DIM	2 2'	G Grid		38L 3,800lm	840 4,000K (80CRI)	2 2'	RS Diffuse round smooth	UNV 120-277V	DIM 0-10V	
2FGXG45L835-2-RS-UNV-DIM	2 2'	G Grid		45L 4,500lm	835 3,500K (80CRI)	2 2'	RS Diffuse round smooth	UNV 120-277V	DIM 0-10V	
2FGXG38L835-4-RS-UNV-DIM	2 2'	G Grid		38L 3,800lm	835 3,500K (80CRI)	4 4'	RS Diffuse round smooth	UNV 120-277V	DIM 0-10V	
2FGXG38L835-4-RS-UNV-DIM-SWZCS	2 2'	G Grid		38L 3,800lm	835 3,500K (80CRI)	4 4'	RS Diffuse round smooth	UNV 120-277V	DIM 0-10V	SWZCS Interact Pro scalable sensor w/ integral daylight & occupancy sensing
2FGXG38L840-4-RS-UNV-DIM	2 2'	G Grid		38L 3,800lm	840 4,000K (80CRI)	4 4'	RS Diffuse round smooth	UNV 120-277V	DIM 0-10V	
2FGXG38L840-4-RS-UNV-DIM-SWZCS	2 2'	G Grid		42B 4,200lm	840 4,000K (80CRI)	4 4'	RS Diffuse round smooth	UNV 120-277V	DIM 0-10V	SWZCS Interact Pro scalable sensor w/ integral daylight & occupancy sensing
2FGXG42B835-4-FS-UNV-DIM	2 2'	G Grid		42B 4,200lm	835 3,500K (80CRI)	4 4'	FS Diffuse flat smooth	UNV 120-277V	DIM 0-10V	
2FGXG42B835-4-RS-UNV-DIM	2 2'	G Grid		42B 4,200lm	835 3,500K (80CRI)	4 4'	RS Diffuse round smooth	UNV 120-277V	DIM 0-10V	
2FGXG42B835-4-RS-UNV-DIM-CHIC	2 2'	G Grid		42B 4,200lm	835 3,500K (80CRI)	4 4'	RS Diffuse round smooth	UNV 120-277V	DIM 0-10V	CHIC Chicago Plenum rated

FluxGrid (continued)

A product family configurable to fit your exact needs

Ideal for commercial, educational, and hospitality applications

FluxGrid

Example: 1FGXG42B835-4-FS-UNV-DIM

Ordering Code	Width	Ceiling Type	Air Function	Lumens	Color Temp.	Length	Diffuser	Voltage	Driver	Options
2FGXGH42B835-4-RS-UNV-DIM-CHIC	2 2'	G Grid	H Air return	42B 4,200lm	835 3,500K (80CRI)	4 4'	RS Diffuse round smooth	UNV 120-277V	DIM 0-10V	CHIC Chicago Plenum rated
2FGXG42B840-4-FS-UNV-DIM	2 2'	G Grid		42B 4,200lm	840 4,000K (80CRI)	4 4'	FS Diffuse flat smooth	UNV 120-277V	DIM 0-10V	
2FGXG42B840-4-RS-UNV-DIM	2 2'	G Grid		43L 4,300lm	840 4,000K (80CRI)	4 4'	RS Diffuse round smooth	UNV 120-277V	DIM 0-10V	
2FGXG43L835-4-RS-UNV-DIM	2 2'	G Grid		43L 4,300lm	835 3,500K (80CRI)	4 4'	RS Diffuse round smooth	UNV 120-277V	DIM 0-10V	
2FGXG43L835-4-RS-UNV-DIM-SWZCS	2 2'	G Grid		43L 4,300lm	835 3,500K (80CRI)	4 4'	RS Diffuse round smooth	UNV 120-277V	DIM 0-10V	SWZCS Interact Pro scalable sensor w/ integral daylight & occupancy sensing
2FGXG43L840-4-RS-UNV-DIM	2 2'	G Grid		43L 4,300lm	840 4,000K (80CRI)	4 4'	RS Diffuse round smooth	UNV 120-277V	DIM 0-10V	
2FGXG43L840-4-RS-UNV-DIM-SWZCS	2 2'	G Grid		48L 4,800lm	840 4,000K (80CRI)	4 4'	RS Diffuse round smooth	UNV 120-277V	DIM 0-10V	SWZCS Interact Pro scalable sensor w/ integral daylight & occupancy sensing
2FGXG48L835-4-RS-UNV-DIM	2 2'	G Grid		48L 4,800lm	835 3,500K (80CRI)	4 4'	RS Diffuse round smooth	UNV 120-277V	DIM 0-10V	
2FGXG48L835-4-RS-UNV-DIM-SWZCS	2 2'	G Grid		48L 4,800lm	835 3,500K (80CRI)	4 4'	RS Diffuse round smooth	UNV 120-277V	DIM 0-10V	SWZCS Interact Pro scalable sensor w/ integral daylight & occupancy sensing
2FGXG48L840-4-RS-UNV-DIM	2 2'	G Grid		48L 4,800lm	840 4,000K (80CRI)	4 4'	RS Diffuse round smooth	UNV 120-277V	DIM 0-10V	
2FGXG48L840-4-RS-UNV-DIM-SWZCS	2 2'	G Grid		48L 4,800lm	840 4,000K (80CRI)	4 4'	RS Diffuse round smooth	UNV 120-277V	DIM 0-10V	SWZCS Interact Pro scalable sensor w/ integral daylight & occupancy sensing
2FGXG54L835-4-RS-UNV-DIM	2 2'	G Grid		54L 5,400lm	835 3,500K (80CRI)	4 4'	RS Diffuse round smooth	UNV 120-277V	DIM 0-10V	BSL10LST Factory wired Bodine integral emergency pack

Accessories

FSF22 2'x2' surface mount field installation kit (field assembled)

FSF24 2'x4' surface mount field installation kit (field assembled)



FCY High Bay

Simple, easy, convenient

A value high bay with low profile and durable design, ideal for your mid to high ceiling applications



FCY High Bay

Example: FCY0815L8CST-UNV-DIM

Ordering Code	Lumens	Color Temperature	Voltage	Driver
FCY0815L8CST-UNV-DIM	0815L 8,000/12,000/15,000lm	8CST 4,000K/5,000K (80CRI)	UNV 120-277V	DIM 0-10V
FCY1524L8CST-UNV-DIM	1524L 15,000/18,000/24,000lm	8CST 4,000K/5,000K (80CRI)	UNV 120-277V	DIM 0-10V
FCY2436L8CST-UNV-DIM	2436L 24,000/30,000/36,000lm	8CST 4,000K/5,000K (80CRI)	UNV 120-277V	DIM 0-10V

Accessories	
FCY-PENHGR24	Pendant hanger accessory for FCY0815L and FCY1524L
FCY-PENHGR36	Pendant hanger accessory for FCY2436L
FCY-SBK24	Surface bracket accessory for FCY0815L and FCY1524L
FCY-SBK36	Surface bracket accessory for FCY2436L
FCY-WG15	Wire guard for FCY0815L
FCY-WG24	Wire guard for FCY1524L
FCY-WG36	Wire guard for FCY2436L
FCY-SENSOR	Field installed microwave sensor
FCY-REMOTE	Remote hand-held programmer for FCY-SENSOR

FBY High Bay

Versatility in form and function

Reliable and cost-friendly solution for your big industrial or institutional spaces

FBY High Bay

Example: FBY12L850-UNV-LFA-SWZCSH

Ordering Code	Lumens	Color Temperature	Voltage	Options
FBY12L835-UNV	12L 12,000lm	835 3,500K (80CRI)	UNV 120-277V	
FBY12L835-UNV-BSL10LST	12L 12,000lm	835 3,500K (80CRI)	UNV 120-277V	BSL10LST Factory wired 10W Philips Bodine integral emergency pack
FBY12L840-UNV	12L 12,000lm	840 4,000K (80CRI)	UNV 120-277V	
FBY12L840-UNV-LFA	12L 12,000lm	840 4,000K (80CRI)	UNV 120-277V	LFA Frosted acrylic lens
FBY12L850-UNV	12L 12,000lm	850 5,000K (80CRI)	UNV 120-277V	
FBY12L850-UNV-LFA	12L 12,000lm	850 5,000K (80CRI)	UNV 120-277V	LFA Frosted acrylic lens
FBY12L850-UNV-LFA-SWZCSH	12L 12,000lm	850 5,000K (80CRI)	UNV 120-277V	LFA Frosted acrylic lens SWZCSH Interact Pro scalable high bay sensor w/integral daylight & occupancy sensing
FBY18L840-UNV	18L 18,000lm	840 4,000K (80CRI)	UNV 120-277V	
FBY18L840-UNV-WC6	18L 18,000lm	840 4,000K (80CRI)	UNV 120-277V	WC6 Wired 6' 16/3 cord
FBY18L840-UNV-LFA	18L 18,000lm	840 4,000K (80CRI)	UNV 120-277V	LFA Frosted acrylic lens
FBY18L840-UNV-MD360	18L 18,000lm	840 4,000K (80CRI)	UNV 120-277V	MD360 360° Motion detector (ON/OFF)
FBY18L840-UNV-BSL10LST	18L 18,000lm	840 4,000K (80CRI)	UNV 120-277V	BSL10LST Factory wired 10W Philips Bodine integral emergency pack
FBY18L850-UNV	18L 18,000lm	850 5,000K (80CRI)	UNV 120-277V	
FBY18L850-UNV-LFA-SWZCSH	18L 18,000lm	850 5,000K (80CRI)	UNV 120-277V	LFA Frosted acrylic lens SWZCSH Interact Pro scalable high bay sensor w/integral daylight & occupancy sensing
FBY24L835-UNV-WC6/5	24L 24,000lm	835 3,500K (80CRI)	UNV 120-277V	WC6/5 Wired 6' 18/5 cord for line voltage plus 0-10V dimming
FBY24L840-277-WP6	24L 24,000lm	840 4,000K (80CRI)	277 277V	WP6 Wired 6' 16/3 cord & NEMA twist lock plug
FBY24L840-277-WP6-MD360	24L 24,000lm	840 4,000K (80CRI)	277 277V	WP6 Wired 6' 16/3 cord & NEMA twist lock plug MD360 360° Motion detector (ON/OFF)
FBY24L840-UNV	24L 24,000lm	840 4,000K (80CRI)	UNV 120-277V	
FBY24L840-UNV-WC6	24L 24,000lm	840 4,000K (80CRI)	UNV 120-277V	WC6 Wired 6' 16/3 cord
FBY24L840-UNV-WC6-MD360	24L 24,000lm	840 4,000K (80CRI)	UNV 120-277V	WC6 Wired 6' 16/3 cord MD360 360° Motion detector (ON/OFF)
FBY24L840-UNV-LFA	24L 24,000lm	840 4,000K (80CRI)	UNV 120-277V	LFA Frosted acrylic lens
FBY24L840-UNV-MD360	24L 24,000lm	840 4,000K (80CRI)	UNV 120-277V	MD360 360° Motion detector (ON/OFF)
FBY24L840-UNV-BSL10LST	24L 24,000lm	840 4,000K (80CRI)	UNV 120-277V	BSL10LST Factory wired 10W Philips Bodine integral emergency pack
FBY24L850-UNV	24L 24,000lm	850 5,000K (80CRI)	UNV 120-277V	
FBY24L850-UNV-WC6	24L 24,000lm	850 5,000K (80CRI)	UNV 120-277V	WC6 Wired 6' 16/3 cord

Clear lens



No lens



Frosted lens



FBY High Bay

Example: **FBY12L850-UNV-LFA-SWZCSH**

Ordering Code	Lumens	Color Temperature	Voltage	Options
FBY24L850-UNV-LFA	24L 24,000lm	850 5,000K (80CRI)	UNV 120-277V	LFA Frosted acrylic lens
FBY30L840-277-WP6/4-MD360-BSL10LST	30L 30,000lm	840 4,000K (80CRI)	277 277V	WP6/4 Wired 6' 16/4 cord and NEMA twist lock plug for line voltage plus unswitched hot for EMERGENCY MD360 360° Motion detector (ON/OFF) BSL10LST Factory wired 10W Philips Bodine integral emergency pack
FBY30L840-UNV	30L 30,000lm	840 4,000K (80CRI)	UNV 120-277V	
FBY30L840-UNV-WC6	30L 30,000lm	840 4,000K (80CRI)	UNV 120-277V	WC6 Wired 6' 16/3 cord
FBY30L840-UNV-WC6-LFA	30L 30,000lm	840 4,000K (80CRI)	UNV 120-277V	WC6 Wired 6' 16/3 cord LFA Frosted acrylic lens
FBY30L840-UNV-WC6-MD360	30L 30,000lm	840 4,000K (80CRI)	UNV 120-277V	WC6 Wired 6' 16/3 cord MD360 360° Motion detector (ON/OFF)
FBY30L840-UNV-LFA	30L 30,000lm	840 4,000K (80CRI)	UNV 120-277V	LFA Frosted acrylic lens
FBY30L840-UNV-MD360	30L 30,000lm	840 4,000K (80CRI)	UNV 120-277V	MD360 360° Motion detector (ON/OFF)
FBY30L840-UNV-MD360-BSL10LST	30L 30,000lm	840 4,000K (80CRI)	UNV 120-277V	MD360 360° Motion detector (ON/OFF) BSL10LST Factory wired 10W Philips Bodine integral emergency pack
FBY30L850-UNV-WC6	30L 30,000lm	850 5,000K (80CRI)	UNV 120-277V	WC6 Wired 6' 16/3 cord
FBY30L850-UNV-LFA	30L 30,000lm	850 5,000K (80CRI)	UNV 120-277V	LFA Frosted acrylic lens
FBY36L840-277-WP6-LCA-MD360	36L 36,000lm	840 4,000K (80CRI)	277 277V	WP6 Wired 6' 16/3 cord & NEMA twist lock plug LCA Clear acrylic lens MD360 360° Motion detector (ON/OFF)
FBY36L840-UNV	36L 36,000lm	840 4,000K (80CRI)	UNV 120-277V	
FBY36L850-UNV	36L 36,000lm	850 5,000K (80CRI)	UNV 120-277V	
FBY48L840-UNV	48L 48,000lm	840 4,000K (80CRI)	UNV 120-277V	
FBY48L840-UNV-MD360	48L 48,000lm	840 4,000K (80CRI)	UNV 120-277V	MD360 360° Motion detector (ON/OFF)
FBY48L840-UNV-BSL10LST	48L 48,000lm	840 4,000K (80CRI)	UNV 120-277V	BSL10LST Factory wired 10W Philips Bodine integral emergency pack
FBY60L840-UNV	60L 60,000lm	840 4,000K (80CRI)	UNV 120-277V	
FBY60L850-UNV	60L 60,000lm	850 5,000K (80CRI)	UNV 120-277V	

Accessories

FBX-SLFA-2N	Frosted acrylic lens kit for 12000lm to 30000lm
MD360	Field installable 360° Motion detector (ON/OFF)
HNH5-VHOOK	54" Chains & V Brackets
HCH5-VHOOK	5' Cables & V Brackets
HCH10-VHOOK	10' Cables & V Brackets

FBZ High Bay



Performance and efficiency at its best

A linear high bay designed to maximize your capital investment and energy costs without sacrificing performance

FBZ High Bay

Example: **FBZ48L840-UNV-N-MD360-BSL20B2**

Ordering Code	Lumens	Color Temperature	Voltage	Options
FBZ24L840-UNV	24L 24,000lm	840 4,000K (80CRI)	UNV 120-277V	
FBZ24L840-UNV-BSL20B2	24L 24,000lm	840 4,000K (80CRI)	UNV 120-277V	BSL20B2 Factory wired 20W Philips Bodine integral emergency pack
FBZ24L840-UNV-LFA	24L 24,000lm	840 4,000K (80CRI)	UNV 120-277V	LFA Frosted acrylic lens
FBZ24L840-UNV-MD360-BSL20B2	24L 24,000lm	840 4,000K (80CRI)	UNV 120-277V	MD360 360° Motion detector (ON/OFF) BSL20B2 Factory wired 20W Philips Bodine integral emergency pack
FBZ24L840-UNV-MD360-LCA	24L 24,000lm	840 4,000K (80CRI)	UNV 120-277V	MD360 360° Motion detector (ON/OFF) LCA Clear acrylic lens
FBZ30L840-UNV-N-BSL20B2	30L 30,000lm	840 4,000K (80CRI)	UNV 120-277V	N Narrow beam distribution BSL20B2 Factory wired 20W Philips Bodine integral emergency pack
FBZ36L840-UNV-N-BSL20B2	36L 36,000lm	840 4,000K (80CRI)	UNV 120-277V	N Narrow beam distribution BSL20B2 Factory wired 20W Philips Bodine integral emergency pack
FBZ48L840-UNV-N-MD360-BSL20B2	48L 48,000lm	840 4,000K (80CRI)	UNV 120-277V	N Narrow beam distribution MD360 360° Motion detector (ON/OFF) BSL20B2 Factory wired 20W Philips Bodine integral emergency pack
FBZ48L840-UNV-N-MD360-LCA	48L 48,000lm	840 4,000K (80CRI)	UNV 120-277V	N Narrow beam distribution MD360 360° Motion detector (ON/OFF) LCA Clear acrylic lens

Accessories	
FBZ-SLCA-2N	Clear acrylic lens kit for 8000lm to 30000lm
FBZ-WG2	Wire guard for 8000lm to 30000lm
MD360	Field installable 360° Motion detector (ON/OFF)
HNH5-VHOOK	54" Chains & V Brackets
HCH5-VHOOK	5' Cables & V Brackets
HCH10-VHOOK	10' Cables & V Brackets

VTS Sealed Strip



Dual selectable for indoor and outdoor applications

A sealed strip luminaire offering rugged reliability, selectability, and efficacy

VTS Sealed Strip

Example: VTS22028L8CST-UN3-DIM

Ordering Code	Length	Lumens	Color Temperature	Voltage	Driver
VTS225L840-UN3-DIM	2 2'	25L 2,500lm	840 4,000K (80CRI)	UN3 120-347V	DIM 0-10V
VTS22028L8CST-UN3-DIM	2 2'	2028L 2,000/2,400/2,800lm	8CST 3,500/4,000/5,000K (80CRI)	UN3 120-347V	DIM 0-10V
VTS450L840-UN3-DIM	4 4'	50L 5,000lm	840 4,000K (80CRI)	UN3 120-347V	DIM 0-10V
VTS42856L8CST-UN3-DIM	4 4'	2856L 2,800/4,200/5,600lm	8CST 3,500/4,000/5,000K (80CRI)	UN3 120-347V	DIM 0-10V
VTS8100L840-UN3-DIM	8 8'	100L 10,000lm	840 4,000K (80CRI)	UN3 120-347V	DIM 0-10V
VTS880130L8CST-UN3-DIM	8 8'	80130L 8,000/11,000/13,000lm	8CST 3,500/4,000/5,000K (80CRI)	UN3 120-347V	DIM 0-10V



SDS Selectable Strip

Economical luminaire delivering the right light

SDS Selectable Strip

Example: SDS21224L8CST-UNV-DIM

Ordering Code	Length	Lumens	Color Temperature	Voltage	Driver
SDS21224L8CST-UNV-DIM	2 2'	1224L 1,200/1,800/2,400lm	8CST 3,500K/4,000K/5,000K (80CRI)	UNV 120-277V	DIM 0-10V
SDS42448L8CST-UNV-DIM	4 4'	2448L 2,430/3,640/4,850lm	8CST 3,500K/4,000K/5,000K (80CRI)	UNV 120-277V	DIM 0-10V
SDS84998L8CST-UNV-DIM	8 8'	4998L 4,900/7,350/9,800lm	8CST 3,500K/4,000K/5,000K (80CRI)	UNV 120-277V	DIM 0-10V

Accessories
FKR-126 54" Chains & V Brackets

V3W Vaporlume



Robust, yet highly efficient

A specialized wet location, IP rated product designed for use in both indoor and outdoor environments

V3W Vaporlume

Example: V3W227L840-UNV-DIM

Ordering Code	Length	Lumens	Color Temperature	Voltage	Driver	Options
V3W227L840-UNV-DIM	2 2'	27L 2,700lm	840 4,000K (80CRI)	UNV 120-277V	DIM 0-10V	
V3W435L835-UNV-DIM	4 4'	35L 3,500lm	835 3,500K (80CRI)	UNV 120-277V	DIM 0-10V	
V3W443L830-UNV-DIM	4 4'	43L 4,300lm	830 3000K (80CRI)	UNV 120-277V	DIM 0-10V	
V3W443L835-UNV-DIM	4 4'	43L 4,300lm	835 3,500K (80CRI)	UNV 120-277V	DIM 0-10V	
V3W443L835-UNV-DIM-TR-LFA	4 4'	43L 4,300lm	835 3,500K (80CRI)	UNV 120-277V	DIM 0-10V	TR Torx T-10 tamper resistant stainless steel screws and latches LFA Smooth frosted acrylic lens
V3W443L840-UNV-DIM	4 4'	43L 4,300lm	840 4,000K (80CRI)	UNV 120-277V	DIM 0-10V	
V3W443L840-UNV-DIM-BSL10LST	4 4'	43L 4,300lm	840 4,000K (80CRI)	UNV 120-277V	DIM 0-10V	BSL10LST Factory wired Bodine integral emergency pack
V3W443L840-UNV-DIM-MD360WD	4 4'	43L 4,300lm	840 4,000K (80CRI)	UNV 120-277V	DIM 0-10V	MD360WD Wet location occupancy sensor, (ON/DIM)
V3W451L835-UNV-DIM	4 4'	51L 5,100lm	835 3,500K (80CRI)	UNV 120-277V	DIM 0-10V	
V3W451L835-UNV-DIM-IP67-LFA	4 4'	51L 5,100lm	835 3,500K (80CRI)	UNV 120-277V	DIM 0-10V	IP67 Protection against effects of immersion LFA Smooth frosted acrylic lens
V3W451L840-UNV-DIM	4 4'	51L 5,100lm	840 4,000K (80CRI)	UNV 120-277V	DIM 0-10V	
V3W470L840-UNV-DIM	4 4'	70L 7,000lm	840 4,000K (80CRI)	UNV 120-277V	DIM 0-10V	
V3W470L840-UNV-DIM-MD360WD	4 4'	70L 7,000lm	840 4,000K (80CRI)	UNV 120-277V	DIM 0-10V	MD360WD Wet location occupancy sensor, (ON/DIM)

Accessories

TBK	Stainless Steel Top Bracket Kit (pair of brackets)
FKR-126	54" Chains & V Brackets (must use with TBK)

FluxSpace Strip

Round
frosted lens

Square
frosted lens

Flexible in form and function

A linear solution with a wide range of features and performance specifications making it ideal for a variety of applications

FluxSpace Strip

Example: **FLP220L840-Q-UNV-DIM-SWZCS/S**

Ordering Code	Lumens	Lens	Options
Common features: 2', 4000K, 80CRI, 120-277V, 0-10V			
FLP220L840-Q-UNV-DIM-SWZCS/S	20L 2,000lm	Q Square, frosted lens	SWZCS/S Interact Pro scalable sensor w/integral daylight & occupancy sensing
FLP220L840-R-UNV-DIM-SWZCS/S	20L 2,000lm	R Round, frosted lens	SWZCS/S Interact Pro scalable sensor w/integral daylight & occupancy sensing
FLP230L840-Q-UNV-DIM-SWZCS/S	30L 3,000lm	Q Square, frosted lens	SWZCS/S Interact Pro scalable sensor w/integral daylight & occupancy sensing
Common features: 4', 4000K, 80CRI, 120-277V, 0-10V			
FLP430L840-Q-UNV-DIM-SWZCS/S-BSL10LST	30L 3,000lm	Q Square, frosted lens	SWZCS/S Interact Pro scalable sensor (side mounted) BSL10LST Factory wired 10W Philips Bodine integral emergency pack
FLP430L840-Q-UNV-DIM-SWZCS/S	30L 3,000lm	Q Square, frosted lens	SWZCS/S Interact Pro scalable sensor w/integral daylight & occupancy sensing
FLP430L840-R-UNV-DIM-SWZCS/S-BSL10LST	30L 3,000lm	R Round, frosted lens	BSL10LST Factory wired 10W Philips Bodine integral emergency pack
FLP430L840-R-UNV-DIM-SWZCS/S	30L 3,000lm	R Round, frosted lens	SWZCS/S Interact Pro scalable sensor w/integral daylight & occupancy sensing
FLP440L840-Q-UNV-DIM-SWZCS/S	40L 4,000lm	Q Square, frosted lens	SWZCS/S Interact Pro scalable sensor w/integral daylight & occupancy sensing
Common features: 8', 4000K, 80CRI, 120-277V, 0-10V			
FLP860L840-Q-UNV-DIM-SWZCS/S-BSL10LST	60L 6,000lm	Q Square, frosted lens	SWZCS/S Interact Pro scalable sensor (side mounted) BSL10LST Factory wired 10W Philips Bodine integral emergency pack
FLP860L840-Q-UNV-DIM-SWZCS/S	60L 6,000lm	Q Square, frosted lens	SWZCS/S Interact Pro scalable sensor w/integral daylight & occupancy sensing
FLP860L840-R-UNV-DIM-SWZCS/S	60L 6,000lm	R Round, frosted lens	SWZCS/S Factory wired Bodine BSL310LP integral emergency pack
FLP860L840-U-UNV-DIM-SWZCS/S	60L 6,000lm	U Wide upright, frosted lens	SWZCS/S Interact Pro scalable sensor w/integral daylight & occupancy sensing
FLP880L840-Q-UNV-DIM-SWZCS/S-BSL10LST	80L 8,000lm	Q Square, frosted lens	SWZCS/S Interact Pro scalable sensor (side mounted) BSL10LST Factory wired 10W Philips Bodine integral emergency pack
FLP880L840-Q-UNV-DIM-SWZCS/S	80L 8,000lm	Q Square, frosted lens	SWZCS/S Interact Pro scalable sensor w/integral daylight & occupancy sensing
FLP880L840-R-UNV-DIM-SWZCS/S	80L 8,000lm	R Round, frosted lens	SWZCS/S Factory wired Bodine BSL310LP integral emergency pack

Accessories	
FKR-126	54" Chains & V Brackets
DACH48	Adjustable 48" cable hanger kit (single)
DACH48-1-SC	Adjustable 48" cable hanger kit with white straight 18/3 cord (single)
DACH48-1D-SC	Adjustable 48" cable hanger kit with white straight 18/5 cord & dim leads (single)

NWL Wraparound

Simple, economical, selectable

An economical surface mount general illumination luminaire for use in commercial applications.

NWL Wraparound

Example: **NWL215258CST-UNV-DIM**

Ordering Code	Length	Lumens	Color Temperature	Voltage	Driver
NWL215258CST-UNV-DIM	2 2'	1525L 1500/2000/2500lm	8CST 3500K/4000K/5000K (80CRI)	UNV 120-277V	DIM 0-10V
NWL415258CST-UNV-DIM	4 4'	3050L 3000/4000/5000lm	8CST 3500K/4000K/5000K (80CRI)	UNV 120-277V	DIM 0-10V
NWL815258CST-UNV-DIM	8 8'	60100L 6000/8000/10000	8CST 3500K/4000K/5000K (80CRI)	UNV 120-277V	DIM 0-10V
NWL415258CST-UN3-DIM	4 4'	3050L 3000/4000/5000lm	8CST 3500K/4000K/5000K (80CRI)	UNV 120-277V	DIM 0-10V
NWL815258CST-UN3-DIM	8 8'	60100L 6000/8000/10000	8CST 3500K/4000K/5000K (80CRI)	UNV 120-277V	DIM 0-10V

FluxStream Strip

Real convenience for your operation's success

Tough and dependable luminaires designed for ease of handling and flexibility

FluxStream EZ Strip

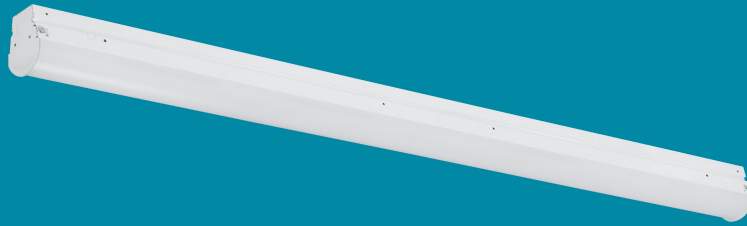
Example: FSSEZ440L840-UNV-DIM

Ordering Code	Length	Lumens	Color Temperature	Voltage	Driver	Options
FSSEZ440L840-UNV-DIM	4 4'	40L 4,000lm	840 4,000K (80CRI)	UNV 120-277V	DIM 0-10V	
FSSEZ880L840-UNV-DIM	8 8'	80L 8,000lm	840 4,000K (80CRI)	UNV 120-277V	DIM 0-10V	

FluxStream Strip

Example: FSS220L835-UNV-DIM

Ordering Code	Length	Lumens	Color Temperature	Voltage	Driver	Options
FSS220L835-UNV-DIM	2 2'	20L 2,000lm	835 3,500K (80CRI)	UNV 120-277V	DIM 0-10V	
FSS220L840-UNV-DIM	2 2'	20L 2,000lm	840 4,000K (80CRI)	UNV 120-277V	DIM 0-10V	
FSS220L850-UNV-DIM	2 2'	20L 2,000lm	850 5,000K (80CRI)	UNV 120-277V	DIM 0-10V	
FSS330L835-UNV-DIM	3 3'	30L 3,000lm	835 3,500K (80CRI)	UNV 120-277V	DIM 0-10V	
FSS330L840-UNV-DIM	3 3'	30L 3,000lm	840 4,000K (80CRI)	UNV 120-277V	DIM 0-10V	
FSS430L835-UNV-DIM	4 4'	30L 3,000lm	835 3,500K (80CRI)	UNV 120-277V	DIM 0-10V	
FSS430L840-UNV-DIM	4 4'	30L 3,000lm	840 4,000K (80CRI)	UNV 120-277V	DIM 0-10V	
FSS430L850-UNV-DIM	4 4'	30L 3,000lm	850 5,000K (80CRI)	UNV 120-277V	DIM 0-10V	
FSS440L830-UNV-DIM	4 4'	40L 4,000lm	830 3,000K (80CRI)	UNV 120-277V	DIM 0-10V	
FSS440L835-UNV-DIM	4 4'	40L 4,000lm	835 3,500K (80CRI)	UNV 120-277V	DIM 0-10V	
FSS440L835-UNV-DIM-EMLED	4 4'	40L 4,000lm	835 3,500K (80CRI)	UNV 120-277V	DIM 0-10V	EMLED Factory wired Bodine BSL310LP integral emergency pack
FSS440L835-UNV-SDIM	4 4'	40L 4,000lm	835 3,500K (80CRI)	UNV 120-277V	SDIM Step dimming to 40% input power	
FSS440L835-UNV-SDIM-EMLED	4 4'	40L 4,000lm	835 3,500K (80CRI)	UNV 120-277V	SDIM Step dimming to 40% input power	EMLED Factory wired Bodine BSL310LP integral emergency pack
FSS440L840-UNV-DIM	4 4'	40L 4,000lm	840 4,000K (80CRI)	UNV 120-277V	DIM 0-10V	
FSS440L840-UNV-DIM-EMLED	4 4'	40L 4,000lm	840 4,000K (80CRI)	UNV 120-277V	DIM 0-10V	EMLED Factory wired Bodine BSL310LP integral emergency pack
FSS440L840-UNV-SDIM	4 4'	40L 4,000lm	840 4,000K (80CRI)	UNV 120-277V	SDIM Step dimming to 40% input power	
FSS440L850-UNV-DIM	4 4'	40L 4,000lm	850 5,000K (80CRI)	UNV 120-277V	DIM 0-10V	
FSS455L835-UNV-DIM	4 4'	55L 5,500lm	835 3,500K (80CRI)	UNV 120-277V	DIM 0-10V	



FluxStream Strip

Example: FSS220L835-UNV-DIM

Ordering Code	Length	Lumens	Color Temperature	Voltage	Driver	Options
FSS455L840-UNV-DIM	4 4'	55L 5,500lm	840 4,000K (80CRI)	UNV 120-277V	DIM 0-10V	
FSS455L850-UNV-DIM	4 4'	55L 5,500lm	850 5,000K (80CRI)	UNV 120-277V	DIM 0-10V	
FSS470L835-UNV-DIM	4 4'	70L 7,000lm	835 3,500K (80CRI)	UNV 120-277V	DIM 0-10V	
FSS470L840-UNV-DIM	4 4'	70L 7,000lm	840 4,000K (80CRI)	UNV 120-277V	DIM 0-10V	
FSS860L840-UNV-DIM	8 8'	60L 6,000lm	840 4,000K (80CRI)	UNV 120-277V	DIM 0-10V	
FSS860L850-UNV-DIM	8 8'	60L 6,000lm	850 5,000K (80CRI)	UNV 120-277V	DIM 0-10V	
FSS880L835-UNV-DIM	8 8'	80L 8,000lm	835 3,500K (80CRI)	UNV 120-277V	DIM 0-10V	
FSS880L835-UNV-DIM-EMLED	8 8'	80L 8,000lm	835 3,500K (80CRI)	UNV 120-277V	DIM 0-10V	EMLED Factory wired Bodine BSL310LP integral emergency pack
FSS880L840-UNV-DIM	8 8'	80L 8,000lm	840 4,000K (80CRI)	UNV 120-277V	DIM 0-10V	
FSS880L840-UNV-DIM-EMLED	8 8'	80L 8,000lm	840 4,000K (80CRI)	UNV 120-277V	DIM 0-10V	EMLED Factory wired Bodine BSL310LP integral emergency pack
FSS880L850-UNV-DIM	8 8'	80L 8,000lm	850 5,000K (80CRI)	UNV 120-277V	DIM 0-10V	
FSS8110L835-UNV-DIM	8 8'	110L 11,000lm	835 3,500K (80CRI)	UNV 120-277V	DIM 0-10V	
FSS8110L835-UNV-DIM-EMLED	8 8'	110L 11,000lm	835 3,500K (80CRI)	UNV 120-277V	DIM 0-10V	EMLED Factory wired Bodine BSL310LP integral emergency pack
FSS8110L840-UNV-DIM	8 8'	110L 11,000lm	840 4,000K (80CRI)	UNV 120-277V	DIM 0-10V	
FSS8110L840-UNV-DIM-EMLED	8 8'	110L 11,000lm	840 4,000K (80CRI)	UNV 120-277V	DIM 0-10V	EMLED Factory wired Bodine BSL310LP integral emergency pack
FSS8110L850-UNV-DIM	8 8'	110L 11,000lm	850 5,000K (80CRI)	UNV 120-277V	DIM 0-10V	

Accessories

FKR-126	54" Chains & V Brackets
FSTH	Sliding Hanger Bracket (set of two)
FSSWG4	Wire Guard 4' (order two for 8' models)
FSSD4L	4' Diffuse replacement lens (order two for 8' models)

Value+

The best economical solution for all your general purpose needs **without compromising on quality and performance**

1 VLLU Series Emergency Unit

Example: VLLUR

Ordering Code	Voltage	Housing Color	LED Lamps	Remote Capability
VLLUR	3.6V	White	2 - 1W	2-1W or 1-2W heads
VLLU2	3.6V	White	2 - 2W	None
VLLU	3.6V	White	2 - 1W	None



2 VLLR Series Remote Lamp Head

Example: VLL1RGO

Ordering Code	Voltage	Housing Color	LED Lamps	Application
VLL1RGO	3.6V, 6V, 9.6V, or 12V	Gray	1-1W	Outdoor
VLL2RGO	3.6V, 6V, 9.6V, or 12V	Gray	2-1W	Outdoor
VLL1R	3.6V	White	1-1W	Indoor
VLL2R	3.6V	White	2-1W	Indoor



3 VLLC Series Exit/Emergency Unit

Example: VLLCR2R

Ordering Code	Voltage	Letter Color	Housing Color	LED Lamps	Remote Capability
VLLCR2R	3.6V	Red	White	2-1W	2-1W or 1-2W heads
VLLCG2R	3.6V	Green	White	2-1W	2-1W or 1-2W heads
VLLCR	3.6V	Red	White	2-1W	None
VLLCG	3.6V	Green	White	2-1W	None



4 VLTU Emergency Unit

Example: VLTU

Ordering Code	Voltage	Housing Color	LED Lamps	Remote Capability
VLTU	3.6V	White	2-1W	None
VLTUR	3.6V	White	2-1W	2-1W or 1-2W heads



5 VE Series LED Exit Sign

Example: VERW

Ordering Code	Letter Color	Housing Color	Operation
VERW	Red	White	AC only
VEGW	Green	White	AC Only
VERWEM	Red	White	Emergency (Nicas Battery)
VEGWEM	Green	White	Emergency (Nicas Battery)



44R Series

Universal and compact, a new contemporary design with a smaller compact size

44R Series

Example: 44RL1R

Ordering Code	Mounting	Operation	Number of Faces	Housing Finish	Panel Color	Background	NYC Approved
44RL1R	Surface	AC Only	1 Single Face	Satin Aluminum	R Red	Clear	
44RL2R	Surface	AC Only	2 Double Face	Satin Aluminum	R Red	Clear	
44RLU1G	Universal	AC Only	1 Single Face	Satin Aluminum	G Green	Clear	
44RLU1GM	Universal	AC Only	1 Single Face	Satin Aluminum	G Green	Mirror	
44RLU1R	Universal	AC Only	1 Single Face	Satin Aluminum	R Red	Clear	
44RLU1RNYC	Universal	AC Only	1 Single Face	Satin Aluminum	R Red	Clear	NYC New York
44RLU1WR	Universal	AC Only	1 Single Face	White	R Red	Clear	
44RLU2G	Universal	AC Only	2 Double Face	Satin Aluminum	G Green	Clear	
44RLU2R	Universal	AC Only	2 Double Face	Satin Aluminum	R Red	Clear	
44RLU2RNYC	Universal	AC Only	2 Double Face	Satin Aluminum	R Red	Clear	NYC New York
44RLU2WR	Universal	AC Only	2 Double Face	White	R Red	Clear	
ER44RL1R	Surface	EW W battery	1 Single Face	Satin Aluminum	R Red	Clear	
ER44RLDU1G	Universal	EW W battery	1 Single Face	Satin Aluminum	G Green	Clear	
ER44RLDU1R	Universal	EW W battery	1 Single Face	Satin Aluminum	R Red	Clear	
ER44RLDU1RM	Universal	EW W battery	1 Single Face	Satin Aluminum	R Red	Mirror	
ER44RLDU1RNYC	Universal	EW W battery	1 Single Face	Satin Aluminum	R Red	Clear	NYC New York
ER44RLDU1WG	Universal	EW W battery	1 Single Face	White	G Green	Clear	
ER44RLDU1WR	Universal	EW W battery	1 Single Face	White	R Red	Clear	
ER44RLDU2G	Universal	EW W battery	2 Double Face	Satin Aluminum	G Green	Clear	
ER44RLDU2R	Universal	EW W battery	2 Double Face	Satin Aluminum	R Red	Clear	
ER44RLDU2RNYC	Universal	EW W battery	2 Double Face	Satin Aluminum	R Red	Clear	NYC New York
ER44RLDU2WG	Universal	EW W battery	2 Double Face	White	G Green	Clear	
ER44RLDU2WR	Universal	EW W battery	2 Double Face	White	R Red	Clear	

SlimFlood Dual Select



Fade-resistant, textured bronze finish with tempered glass lens that is heat and impact resistant

SlimFlood Dual Select

Example: SF15-SCT-K-G2-10-BZ

Ordering Code	Luminaire	Color Temperature	Mounting	Gen.	Voltage	Options	Finish
SF15-SCT-K-G2-10-BZ	SF15 15W	SCT 3000K/4000K/5000K	K Knuckle	G2	10 120-347V		BZ Bronze
SF15-SCT-Y-G2-10-BZ	SF15 15W	SCT 3000K/4000K/5000K	Y Yoke	G2	10 120-347V		BZ Bronze
SF35-SCT-K-G2-10-PCB-BZ	SF35 15-25-35W	SCT 3000K/4000K/5000K	K Knuckle	G2	10 120-347V	PCB Photocell	BZ Bronze
SF35-SCT-Y-G2-10-PCB-BZ	SF35 15-25-35W	SCT 3000K/4000K/5000K	Y Yoke	G2	10 120-347V	PCB Photocell	BZ Bronze
SF60-SCT-K-G2-10-PCB-BZ	SF60 15-35-60W	SCT 3000K/4000K/5000K	K Knuckle	G2	10 120-347V	PCB Photocell	BZ Bronze
SF60-SCT-Y-G2-10-PCB-BZ	SF60 15-35-60W	SCT 3000K/4000K/5000K	Y Yoke	G2	10 120-347V	PCB Photocell	BZ Bronze
SF100-SCT-S-G2-10-PCB-BZ	SF100 60-80-100W	SCT 3000K/4000K/5000K	S Slipfitter	G2	10 120-347V	PCB Photocell	BZ Bronze
SF100-SCT-T-G2-10-PCB-BZ	SF100 60-80-100W	SCT 3000K/4000K/5000K	T Trunnion	G2	10 120-347V	PCB Photocell	BZ Bronze
SF150-SCT-S-G2-10-PCB-BZ	SF150 100-120-150W	SCT 3000K/4000K/5000K	S Slipfitter	G2	10 120-347V	PCB Photocell	BZ Bronze
SF150-SCT-T-G2-10-PCB-BZ	SF150 100-120-150W	SCT 3000K/4000K/5000K	T Trunnion	G2	10 120-347V	PCB Photocell	BZ Bronze
SF205-SCT-S-G2-10-BZ	SF205 120-150-205W	SCT 3000K/4000K/5000K	S Slipfitter	G2	10 120-347V		BZ Bronze
SF205-SCT-T-G2-10-BZ	SF205 120-150-205W	SCT 3000K/4000K/5000K	T Trunnion	G2	10 120-347V		BZ Bronze
SF300-SCT-S-G2-10-BZ	SF300 205-255-300W	SCT 3000K/4000K/5000K	S Slipfitter	G2	10 120-347V		BZ Bronze
SF300-SCT-T-G2-10-BZ	SF300 205-255-300W	SCT 3000K/4000K/5000K	T Trunnion	G2	10 120-347V		BZ Bronze

Adjustable Slim Wall Pack



Slim, low profile LED design

Features a discreet design that will complement any building exterior.

Adjustable Slim Wall Pack

Example: ASW25-SCT-G1-8-PCB-BW

Ordering Code	Luminaire	Color Temperature	Voltage	Options	Finish
ASW25-SCT-G1-8-PCB-BW	ASW25 15-20-25W	SCT 3000K/4000K/5000K	8 120-277V	PCB Photocell	BW Brown Gray
ASW75-SCT-G1-8-PCB-BW	ASW75 45-60-75W	SCT 3000K/4000K/5000K	8 120-277V	PCB Photocell	BW Brown Gray

LytePro Wall

Designed for projects, built for stock

LytePro LED wall sconces feature outstanding value in compact, architectural design.

LytePro Wall

Example: LPW7-10-NW-G3-2-120-BK

Ordering Code	Family	Wattage	Color Temp./Generation	Distr.	Voltage	Photocontrol	Finish
LPW7-G3-8-BZ	LPW7		G3 Generation 3		8 120-277V		BZ Bronze
LPW7-G3-8-DGY	LPW7		G3 Generation 3		8 120-277V		DGY Dark Gray
LPW7-10-NW-G3-2-120-BK	LPW7	10 10W	NW-G3 Neutral White 4000K 70CRI Gen3	2 Type 2	120 120V		BK Black
LPW7-10-NW-G3-2-120-BZ	LPW7	10 10W	NW-G3 Neutral White 4000K 70CRI Gen3	2 Type 2	120 120V		BZ Bronze
LPW7-10-NW-G3-2-120-DGY	LPW7	10 10W	NW-G3 Neutral White 4000K 70CRI Gen3	2 Type 2	120 120V		DGY Dark Gray
LPW7-10-NW-G3-2-UNV-BK	LPW7	10 10W	NW-G3 Neutral White 4000K 70CRI Gen3	2 Type 2	UNV 120V		BK Black
LPW7-10-NW-G3-2-UNV-BZ	LPW7	10 10W	NW-G3 Neutral White 4000K 70CRI Gen3	2 Type 2	UNV 120-277V		BZ Bronze
LPW7-10-NW-G3-2-UNV-DGY	LPW7	10 10W	NW-G3 Neutral White 4000K 70CRI Gen3	2 Type 2	UNV 120-277V		DGY Dark Gray
LPW7-10-NW-G3-2-UNV-MGY	LPW7	10 10W	NW-G3 Neutral White 4000K 70CRI Gen3	2 Type 2	UNV 120-277V		MGY Med. Gray
LPW7-10-NW-G3-2-UNV-WH	LPW7	10 10W	NW-G3 Neutral White 4000K 70CRI Gen3	2 Type 2	UNV 120-277V		WH White
LPW7-10-WW-G3-2-120-BZ	LPW7	10 10W	WW-G3 Warm White 3000K 70CRI Gen3	2 Type 2	UNV 120-277V		BZ Bronze
LPW7-10-WW-G3-2-UNV-BK	LPW7	10 10W	WW-G3 Warm White 3000K 70CRI Gen3	2 Type 2	120 120V		BK Black
LPW7-10-WW-G3-2-UNV-BZ	LPW7	10 10W	WW-G3 Warm White 3000K 70CRI Gen3	2 Type 2	UNV 120-277V		BZ Bronze
LPW7-10-WW-G3-2-UNV-DGY	LPW7	10 10W	WW-G3 Warm White 3000K 70CRI Gen3	2 Type 2	UNV 120-277V		DGY Dark Gray
LPW7-10-WW-G3-2-UNV-MGY	LPW7	10 10W	WW-G3 Warm White 3000K 70CRI Gen3	2 Type 2	UNV 120-277V		MGY Med. Gray
LPW7-10-WW-G3-2-UNV-WH	LPW7	10 10W	WW-G3 Warm White 3000K 70CRI Gen3	2 Type 2	UNV 120-277V		WH White
LPW16-G3-8-BZ	LPW16		G3 Generation 3		8 120-277V		BZ Bronze
LPW16-G3-8-DGY	LPW16		G3 Generation 3		8 120-277V		DGY Dark Gray
LPW16-20-NW-G3-3-120-BK	LPW16	20 20W	SCT 3000K/4000K/5000K	3 Type 3	120 120V		BK Black
LPW16-20-NW-G3-3-120-BZ	LPW16	20 20W	SCT 3000K/4000K/5000K	3 Type 3	120 120V		BZ Bronze
LPW16-20-NW-G3-3-HVU-BZ	LPW16	20 20W	SCT 3000K/4000K/5000K	3 Type 3	HVU 347-480V		BZ Bronze
LPW16-20-NW-G3-3-UNV-BK	LPW16	20 20W	NW-G3 Neutral White 4000K 70CRI Gen3	3 Type 3	UNV 120-277V		BK Black
LPW16-20-NW-G3-3-UNV-BZ	LPW16	20 20W	NW-G3 Neutral White 4000K 70CRI Gen3	3 Type 3	UNV 120-277V		BZ Bronze
LPW16-20-NW-G3-3-UNV-DGY	LPW16	20 20W	NW-G3 Neutral White 4000K 70CRI Gen3	3 Type 3	UNV 120-277V		DGY Dark Gray
LPW16-20-NW-G3-3-UNV-MGY	LPW16	20 20W	NW-G3 Neutral White 4000K 70CRI Gen3	3 Type 3	UNV 120-277V		MGY Med. Gray
LPW16-20-NW-G3-3-UNV-WH	LPW16	20 20W	NW-G3 Neutral White 4000K 70CRI Gen3	3 Type 3	UNV 120-277V		WH White
LPW16-20-NW-G3-4-UNV-BK	LPW16	20 20W	NW-G3 Neutral White 4000K 70CRI Gen3	4 Type 4	UNV 120-277V		BK Black
LPW16-20-NW-G3-4-UNV-BZ	LPW16	20 20W	NW-G3 Neutral White 4000K 70CRI Gen3	4 Type 4	UNV 120-277V		BZ Bronze
LPW16-20-NW-G3-4-UNV-MGY	LPW16	20 20W	NW-G3 Neutral White 4000K 70CRI Gen3	4 Type 4	UNV 120-277V		MGY Med. Gray
LPW16-20-NW-G3-4-UNV-WH	LPW16	20 20W	NW-G3 Neutral White 4000K 70CRI Gen3	4 Type 4	UNV 120-277V		WH White
LPW16-20-WW-G3-3-120-BZ	LPW16	20 20W	WW-G3 Warm White 3000K 70CRI Gen3	3 Type 3	120 120V		BZ Bronze
LPW16-20-WW-G3-3-277-PCB-BK	LPW16	20 20W	WW-G3 Warm White 3000K 70CRI Gen3	3 Type 3	277 277V	PCB Photocell	BK Black
LPW16-20-WW-G3-3-UNV-BK	LPW16	20 20W	WW-G3 Warm White 3000K 70CRI Gen3	3 Type 3	UNV 120-277V		BK Black



LytePro 7



LytePro 16



LytePro 32

LytePro Wall

Example: LPW7-10-NW-G3-2-120-BK

Ordering Code	Family	Wattage	Color Temp./Generation	Distr.	Voltage	Photocontrol	Finish
LPW16-20-WW-G3-3-UNV-BZ	LPW16	20 20W	WW-G3 Warm White 3000K 70CRI Gen3	3 Type 3	UNV 120-277V		BZ Bronze
LPW16-20-WW-G3-4-UNV-BK	LPW16	20 20W	WW-G3 Warm White 3000K 70CRI Gen3	4 Type 4	UNV 120-277V		BK Black
LPW16-20-WW-G3-4-UNV-BZ	LPW16	20 20W	WW-G3 Warm White 3000K 70CRI Gen3	4 Type 4	UNV 120-277V		BZ Bronze
LPW16-20-WW-G3-4-UNV-MGY	LPW16	20 20W	WW-G3 Warm White 3000K 70CRI Gen3	4 Type 4	UNV 120-277V		MGY Med. Gray
LPW16-30-NW-G3-3-120-BK	LPW16	30 30W	NW-G3 Neutral White 4000K 70CRI Gen3	3 Type 3	120 120V		BK Black
LPW16-30-NW-G3-3-120-BZ	LPW16	30 30W	NW-G3 Neutral White 4000K 70CRI Gen3	3 Type 3	120 120V		BZ Bronze
LPW16-30-NW-G3-3-HVU-WH	LPW16	30 30W	NW-G3 Neutral White 4000K 70CRI Gen3	3 Type 3	HVU 347-480V		WH White
LPW16-30-NW-G3-3-UNV-BK	LPW16	30 30W	NW-G3 Neutral White 4000K 70CRI Gen3	3 Type 3	UNV 120-277V		BK Black
LPW16-30-NW-G3-3-UNV-BZ	LPW16	30 30W	NW-G3 Neutral White 4000K 70CRI Gen3	3 Type 3	UNV 120-277V		BZ Bronze
LPW16-30-NW-G3-3-UNV-DGY	LPW16	30 30W	NW-G3 Neutral White 4000K 70CRI Gen3	3 Type 3	UNV 120-277V		DGY Dark Gray
LPW16-30-NW-G3-3-UNV-MGY	LPW16	30 30W	NW-G3 Neutral White 4000K 70CRI Gen3	3 Type 3	UNV 120-277V		MGY Med. Gray
LPW16-30-NW-G3-3-UNV-WH	LPW16	30 30W	NW-G3 Neutral White 4000K 70CRI Gen3	3 Type 3	UNV 120-277V		WH White
LPW16-30-NW-G3-4-120-BK	LPW16	30 30W	NW-G3 Neutral White 4000K 70CRI Gen3	4 Type 4	120 120V		BK Black
LPW16-30-NW-G3-4-120-PCB-MGY	LPW16	30 30W	NW-G3 Neutral White 4000K 70CRI Gen3	4 Type 4	120 120V	PCB Photocell	MGY Med. Gray
LPW16-30-NW-G3-4-UNV-BK	LPW16	30 30W	NW-G3 Neutral White 4000K 70CRI Gen3	4 Type 4	UNV 120-277V		BK Black
LPW16-30-NW-G3-4-UNV-BZ	LPW16	30 30W	NW-G3 Neutral White 4000K 70CRI Gen3	4 Type 4	UNV 120-277V		BZ Bronze
LPW16-30-NW-G3-4-UNV-DGY	LPW16	30 30W	NW-G3 Neutral White 4000K 70CRI Gen3	4 Type 4	UNV 120-277V		DGY Dark Gray
LPW16-30-NW-G3-4-UNV-MGY	LPW16	30 30W	NW-G3 Neutral White 4000K 70CRI Gen3	4 Type 4	UNV 120-277V		MGY Med. Gray
LPW16-30-NW-G3-4-UNV-WH	LPW16	30 30W	NW-G3 Neutral White 4000K 70CRI Gen3	4 Type 4	UNV 120-277V		WH White
LPW16-30-WW-G3-3-120-BK	LPW16	30 30W	WW-G3 Warm White 3000K 70CRI Gen3	3 Type 3	120 120V		BK Black
LPW16-30-WW-G3-3-UNV-BK	LPW16	30 30W	WW-G3 Warm White 3000K 70CRI Gen3	3 Type 3	UNV 120-277V		BK Black
LPW16-30-WW-G3-3-UNV-BZ	LPW16	30 30W	WW-G3 Warm White 3000K 70CRI Gen3	3 Type 3	UNV 120-277V		BZ Bronze
LPW16-30-WW-G3-3-UNV-DGY	LPW16	30 30W	WW-G3 Warm White 3000K 70CRI Gen3	3 Type 3	UNV 120-277V		DGY Dark Gray
LPW16-30-WW-G3-3-UNV-MGY	LPW16	30 30W	WW-G3 Warm White 3000K 70CRI Gen3	3 Type 3	UNV 120-277V		MGY Med. Gray
LPW16-30-WW-G3-3-UNV-WH	LPW16	30 30W	WW-G3 Warm White 3000K 70CRI Gen3	3 Type 3	UNV 120-277V		WH White
LPW16-30-WW-G3-4-120-BZ	LPW16	30 30W	WW-G3 Warm White 3000K 70CRI Gen3	4 Type 4	120 120V		BZ Bronze
LPW16-30-WW-G3-4-UNV-BK	LPW16	30 30W	WW-G3 Warm White 3000K 70CRI Gen3	4 Type 4	UNV 120-277V		BK Black
LPW16-30-WW-G3-4-UNV-BZ	LPW16	30 30W	WW-G3 Warm White 3000K 70CRI Gen3	4 Type 4	UNV 120-277V		BZ Bronze
LPW16-30-WW-G3-4-UNV-MGY	LPW16	30 30W	WW-G3 Warm White 3000K 70CRI Gen3	4 Type 4	UNV 120-277V		MGY Med. Gray
LPW16-50-NW-G3-2-HVU-WH	LPW16	50 50W	NW-G3 Neutral White 4000K 70CRI Gen3	2 Type 2	HVU 347-480V		WH White
LPW16-50-NW-G3-3-120-BZ	LPW16	50 50W	NW-G3 Neutral White 4000K 70CRI Gen3	3 Type 3	120 120V		BZ Bronze
LPW16-50-NW-G3-3-HVU-BZ	LPW16	50 50W	NW-G3 Neutral White 4000K 70CRI Gen3	3 Type 3	HVU 347-480V		BZ Bronze
LPW16-50-NW-G3-3-UNV-BK	LPW16	50 50W	NW-G3 Neutral White 4000K 70CRI Gen3	3 Type 3	UNV 120-277V		BK Black

LytePro Wall (continued)

Designed for projects, built for stock

LytePro LED wall sconces feature outstanding value in compact, architectural design.

LytePro Wall

Example: LPW7-10-NW-G3-2-120-BK

Ordering Code	Family	Wattage	Color Temp./Generation	Distr.	Voltage	Photocontrol	Finish
LPW16-50-NW-G3-3-UNV-BZ	LPW16	50 50W	NW-G3 Neutral White 4000K 70CRI Gen3	3 Type 3	UNV 120-277V		BZ Bronze
LPW16-50-NW-G3-3-UNV-DGY	LPW16	50 50W	NW-G3 Neutral White 4000K 70CRI Gen3	3 Type 3	UNV 120-277V		DGY Dark Gray
LPW16-50-NW-G3-3-UNV-MGY	LPW16	50 50W	NW-G3 Neutral White 4000K 70CRI Gen3	3 Type 3	UNV 120-277V		MGY Med. Gray
LPW16-50-NW-G3-3-UNV-WH	LPW16	50 50W	NW-G3 Neutral White 4000K 70CRI Gen3	3 Type 3	UNV 120-277V		WH White
LPW16-50-NW-G3-4-UNV-BK	LPW16	50 50W	NW-G3 Neutral White 4000K 70CRI Gen3	4 Type 4	UNV 120-277V		BK Black
LPW16-50-NW-G3-4-UNV-BZ	LPW16	50 50W	NW-G3 Neutral White 4000K 70CRI Gen3	4 Type 4	UNV 120-277V		BZ Bronze
LPW16-50-NW-G3-4-UNV-DGY	LPW16	50 50W	NW-G3 Neutral White 4000K 70CRI Gen3	4 Type 4	UNV 120-277V		DGY Dark Gray
LPW16-50-NW-G3-4-UNV-MGY	LPW16	50 50W	NW-G3 Neutral White 4000K 70CRI Gen3	4 Type 4	UNV 120-277V		MGY Med. Gray
LPW16-50-NW-G3-4-UNV-WH	LPW16	50 50W	NW-G3 Neutral White 4000K 70CRI Gen3	4 Type 4	UNV 120-277V		WH White
LPW16-50-WW-G3-3-UNV-BK	LPW16	50 50W	WW-G3 Warm White 3000K 70CRI Gen3	3 Type 3	UNV 120-277V		BK Black
LPW16-50-WW-G3-3-UNV-BZ	LPW16	50 50W	WW-G3 Warm White 3000K 70CRI Gen3	3 Type 3	UNV 120-277V		BZ Bronze
LPW16-50-WW-G3-3-UNV-MGY	LPW16	50 50W	WW-G3 Warm White 3000K 70CRI Gen3	3 Type 3	UNV 120-277V		MGY Med. Gray
LPW16-50-WW-G3-4-UNV-BK	LPW16	50 50W	WW-G3 Warm White 3000K 70CRI Gen3	4 Type 4	UNV 120-277V		BK Black
LPW16-50-WW-G3-4-UNV-BZ	LPW16	50 50W	WW-G3 Warm White 3000K 70CRI Gen3	4 Type 4	UNV 120-277V		BZ Bronze
LPW16-50-WW-G3-4-UNV-MGY	LPW16	50 50W	WW-G3 Warm White 3000K 70CRI Gen3	4 Type 4	UNV 120-277V		MGY Med. Gray
LPW32-G3-8-BZ	LPW32		G3 Generation 3		8 120-277V		BZ Bronze
LPW32-G3-8-DGY	LPW32		G3 Generation 3		8 120-277V		DGY Dark Gray
LPW32-50-NW-G3-3-UNV-BZ	LPW32	50 50W	NW-G3 Neutral White 4000K 70CRI Gen3	3 Type 3	UNV 120-277V		BZ Bronze
LPW32-50-NW-G3-3-UNV-MGY	LPW32	50 50W	NW-G3 Neutral White 4000K 70CRI Gen3	3 Type 3	UNV 120-277V		MGY Med. Gray
LPW32-50-NW-G3-3-UNV-WH	LPW32	50 50W	NW-G3 Neutral White 4000K 70CRI Gen3	3 Type 3	UNV 120-277V		WH White
LPW32-50-NW-G3-4-UNV-BK	LPW32	50 50W	NW-G3 Neutral White 4000K 70CRI Gen3	4 Type 4	UNV 120-277V		BK Black
LPW32-50-NW-G3-4-UNV-BZ	LPW32	50 50W	NW-G3 Neutral White 4000K 70CRI Gen3	4 Type 4	UNV 120-277V		BZ Bronze
LPW32-50-WW-G3-3-UNV-BZ	LPW32	50 50W	WW-G3 Warm White 3000K 70CRI Gen3	3 Type 3	UNV 120-277V		BZ Bronze
LPW32-50-WW-G3-4-UNV-BZ	LPW32	50 50W	WW-G3 Warm White 3000K 70CRI Gen3	4 Type 4	UNV 120-277V		BZ Bronze
LPW32-70-NW-G3-3-HVU-BK	LPW32	70 70W	NW-G3 Neutral White 4000K 70CRI Gen3	3 Type 3	HVU 347-480V		BK Black
LPW32-70-NW-G3-3-HVU-BZ	LPW32	70 70W	NW-G3 Neutral White 4000K 70CRI Gen3	3 Type 3	HVU 347-480V		BZ Bronze
LPW32-70-NW-G3-3-HVU-DGY	LPW32	70 70W	NW-G3 Neutral White 4000K 70CRI Gen3	3 Type 3	HVU 347-480V		DGY Dark Gray
LPW32-70-NW-G3-3-UNV-BK	LPW32	70 70W	NW-G3 Neutral White 4000K 70CRI Gen3	3 Type 3	UNV 120-277V		BK Black
LPW32-70-NW-G3-3-UNV-BK	LPW32	70 70W	NW-G3 Neutral White 4000K 70CRI Gen3	3 Type 3	UNV 120-277V		BK Black
LPW32-70-NW-G3-3-UNV-BZ	LPW32	70 70W	NW-G3 Neutral White 4000K 70CRI Gen3	3 Type 3	UNV 120-277V		BZ Bronze
LPW32-70-NW-G3-3-UNV-DGY	LPW32	70 70W	NW-G3 Neutral White 4000K 70CRI Gen3	3 Type 3	UNV 120-277V		DGY Dark Gray
LPW32-70-NW-G3-3-UNV-MGY	LPW32	70 70W	NW-G3 Neutral White 4000K 70CRI Gen3	3 Type 3	UNV 120-277V		MGY Med. Gray



LytePro 7



LytePro 16



LytePro 32

LytePro Wall

Example: LPW7-10-NW-G3-2-120-BK

Ordering Code	Family	Wattage	Color Temp./Generation	Distr.	Voltage	Photocontrol	Finish
LPW32-70-NW-G3-3-UNV-WH	LPW32	70 70W	NW-G3 Neutral White 4000K 70CRI Gen3	3 Type 3	UNV 120-277V		WH White
LPW32-70-NW-G3-4-HVU-BZ	LPW32	70 70W	NW-G3 Neutral White 4000K 70CRI Gen3	4 Type 4	HVU 347-480V		BZ Bronze
LPW32-70-NW-G3-4-UNV-BK	LPW32	70 70W	NW-G3 Neutral White 4000K 70CRI Gen3	4 Type 4	UNV 120-277V		BK Black
LPW32-70-NW-G3-4-UNV-BZ	LPW32	70 70W	NW-G3 Neutral White 4000K 70CRI Gen3	4 Type 4	UNV 120-277V		BZ Bronze
LPW32-70-NW-G3-4-UNV-DGY	LPW32	70 70W	NW-G3 Neutral White 4000K 70CRI Gen3	4 Type 4	UNV 120-277V		DGY Dark Gray
LPW32-70-NW-G3-4-UNV-MGY	LPW32	70 70W	NW-G3 Neutral White 4000K 70CRI Gen3	4 Type 4	UNV 120-277V		MGY Med. Gray
LPW32-70-NW-G3-4-UNV-WH	LPW32	70 70W	NW-G3 Neutral White 4000K 70CRI Gen3	4 Type 4	UNV 120-277V		WH White
LPW32-70-WW-G3-3-UNV-BZ	LPW32	70 70W	WW-G3 Warm White 3000K 70CRI Gen3	3 Type 3	UNV 120-277V		BZ Bronze
LPW32-70-WW-G3-3-UNV-DGY	LPW32	70 70W	WW-G3 Warm White 3000K 70CRI Gen3	3 Type 3	UNV 120-277V		DGY Dark Gray
LPW32-70-WW-G3-3-UNV-WH	LPW32	70 70W	WW-G3 Warm White 3000K 70CRI Gen3	3 Type 3	UNV 120-277V		WH White
LPW32-70-WW-G3-4-UNV-BK	LPW32	70 70W	WW-G3 Warm White 3000K 70CRI Gen3	4 Type 4	UNV 120-277V		BK Black
LPW32-90-NW-G3-3-HVU-BZ	LPW32	90 90W	NW-G3 Neutral White 4000K 70CRI Gen3	3 Type 3	HVU 347-480V		BZ Bronze
LPW32-90-NW-G3-3-UNV-BK	LPW32	90 90W	NW-G3 Neutral White 4000K 70CRI Gen3	3 Type 3	UNV 120-277V		BK Black
LPW32-90-NW-G3-3-UNV-BZ	LPW32	90 90W	NW-G3 Neutral White 4000K 70CRI Gen3	3 Type 3	UNV 120-277V		BZ Bronze
LPW32-90-NW-G3-3-UNV-DGY	LPW32	90 90W	NW-G3 Neutral White 4000K 70CRI Gen3	3 Type 3	UNV 120-277V		DGY Dark Gray
LPW32-90-NW-G3-3-UNV-WH	LPW32	90 90W	NW-G3 Neutral White 4000K 70CRI Gen3	3 Type 3	UNV 120-277V		WH White
LPW32-90-NW-G3-4-UNV-BK	LPW32	90 90W	NW-G3 Neutral White 4000K 70CRI Gen3	4 Type 4	UNV 120-277V		BK Black
LPW32-90-NW-G3-4-UNV-BZ	LPW32	90 90W	NW-G3 Neutral White 4000K 70CRI Gen3	4 Type 4	UNV 120-277V		BZ Bronze
LPW32-90-NW-G3-4-UNV-MGY	LPW32	90 90W	NW-G3 Neutral White 4000K 70CRI Gen3	4 Type 4	UNV 120-277V		MGY Med. Gray
LPW32-90-NW-G3-4-UNV-WH	LPW32	90 90W	NW-G3 Neutral White 4000K 70CRI Gen3	4 Type 4	UNV 120-277V		WH White
LPW32-90-WW-G3-4-UNV-BK	LPW32	90 90W	WW-G3 Warm White 3000K 70CRI Gen3	4 Type 4	UNV 120-277V		BK Black
LPW32-90-WW-G3-4-UNV-MGY	LPW32	90 90W	WW-G3 Warm White 3000K 70CRI Gen3	4 Type 4	UNV 120-277V		MGY Med. Gray

Accessories	
LPWCVRPLT-BK	Universal wall cover mounting plate, Black
LPWCVRPLT-BZ	Universal wall cover mounting plate, Bronze
LPWCVRPLT-DGY	Universal wall cover mounting plate, Dark Gray
LPWCVRPLT-MGY	Universal wall cover mounting plate, Medium Gray
LPWCVRPLT-WH	Universal wall cover mounting plate, White

LytePro Area

Your site lighting pro.
Delivering on value and performance.



LytePro Area

Example: LPA-A06-740-T3-UNV-FAWS-TRPC-BZ

Ordering Code	Family	Config.	CRI/CCT	Distribution	Voltage	Lighting Controls	Electrical Controls	Finish
LPA-A06-740-T3-UNV-FAWS-TRPC-BZ	LPA	A06 12,000 lumens	740 70 CRI, 4000K	T3 Type 3 Medium	UNV 120-277V	FAWS Field Adjustable Wattage Selector	TRPC 7-Pin twist lock w/ 0-10V & On/Off Photocell (PH8)	BZ Bronze
LPA-A06-740-T4-UNV-FAWS-TRPC-BZ	LPA	A06 12,000 lumens	740 70 CRI, 4000K	T4 Type 4 Medium	UNV 120-277V	FAWS Field Adjustable Wattage Selector	TRPC 7-Pin twist lock w/ 0-10V & On/Off Photocell (PH8)	BZ Bronze
LPA-A11-740-T3-UNV-FAWS-TRPC-BZ	LPA	A11 29,000 lumens	740 70 CRI, 4000K	T3 Type 3 Medium	UNV 120-277V	FAWS Field Adjustable Wattage Selector	TRPC 7-Pin twist lock w/ 0-10V & On/Off Photocell (PH8)	BZ Bronze
LPA-A11-740-T4-UNV-FAWS-TRPC-BZ	LPA	A11 29,000 lumens	740 70 CRI, 4000K	T4 Type 4 Medium	UNV 120-277V	FAWS Field Adjustable Wattage Selector	TRPC 7-Pin twist lock w/ 0-10V & On/Off Photocell (PH8)	BZ Bronze

Garage & Canopy



Compact and efficient, built to last

Slim and durable with a lightweight design, this luminaire provides you with a visually appealing lighting experience.

Garage & Canopy Dual Select

Example: GC60-SCT-G2-SM-5-10-BZ

Ordering Code	Luminaire	Color Temperature	Gen.	Mounting	Distribution	Voltage	Finish
GC60-SCT-G2-SM-5-10-BZ	GC60 28-40-60W	SCT 3000K/4000K/5000K	G2	SM Surface	5 Type 5	10 120-347V	BZ Bronze
GC90-SCT-G2-SM-5-10-BZ	GC90 70-80-90W	SCT 3000K/4000K/5000K	G2	SM Surface	5 Type 5	10 120-347V	BZ Bronze
GCR60-SCT-G2-SM-5-10-BZ	GCR60 28-40-60W	SCT 3000K/4000K/5000K	G2	SM Surface	5 Type 5	10 120-347V	BZ Bronze
GCR90-SCT-G2-SM-5-10-BZ	GCR90 70-80-90W	SCT 3000K/4000K/5000K	G2	SM Surface	5 Type 5	10 120-347V	BZ Bronze

Accessory

GC60/90-MH10 MH10 hand-held wireless remote

LytePro Garage and Canopy

Easy to specify, easy to install
and easy on your budget

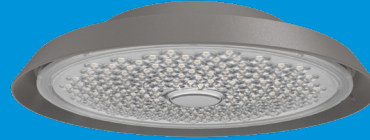
LytePro Garage and Canopy

Example: **LPGC-A03-840-5SQ-SUR-UNV-MG**

Ordering Code	Voltage	Dimming Controls	Uplight	Finish
Common features: 6,000 lumens, 80 CRI, 4000K, type 5 square, surface mounted				
LPGC-A03-840-5SQ-SUR-UNV-MG	UNV 120-277V			MG Medium gray (opaque)
LPGC-A03-840-5SQ-SUR-UNV-WH	UNV 120-277V			WH Luminous white (translucent)
LPGC-A03-840-5SQ-SUR-UNV-UPL-WH	UNV 120-277V		UPL Uplight	WH Luminous white (translucent)
LPGC-A03-840-5SQ-SUR-UNV-BLFPMW-MG	UNV 120-277V	BLFPMW Bi-level set at 20% dimming, field programmable, microwave motion sensor		MG Medium gray (opaque)
LPGC-A03-840-5SQ-SUR-UNV-BLFPMW-WH	UNV 120-277V	BLFPMW Bi-level set at 20% dimming, field programmable, microwave motion sensor		WH Luminous white (translucent)
LPGC-A03-840-5SQ-SUR-UNV-BLFPMW-UPL-WH	UNV 120-277V	BLFPMW Bi-level set at 20% dimming, field programmable, microwave motion sensor	UPL Uplight	WH Luminous white (translucent)
LPGC-A03-840-5SQ-SUR-UNV-WIAPLW-MG	UNV 120-277V	WIAPLW Wireless Interact, low mounting height (7-15')		MG Medium gray (opaque)
LPGC-A03-840-5SQ-SUR-UNV-WIAPLW-WH	UNV 120-277V	WIAPLW Wireless Interact, low mounting height (7-15')		WH Luminous white (translucent)
LPGC-A03-840-5SQ-SUR-UNV-WIAPLW-UPL-WH	UNV 120-277V	WIAPLW Wireless Interact, low mounting height (7-15')	UPL Uplight	WH Luminous white (translucent)
LPGC-A03-840-5SQ-SUR-HVU-MG	HVU 347-480V			MG Medium gray (opaque)
LPGC-A03-840-5SQ-SUR-HVU-WH	HVU 347-480V			WH Luminous white (translucent)
LPGC-A03-840-5SQ-SUR-HVU-UPL-WH	HVU 347-480V		UPL Uplight	WH Luminous white (translucent)
Common features: 8,000 lumens, 80 CRI, 4000K, type 5 square, surface mounted				
LPGC-A04-840-5SQ-SUR-UNV-MG	UNV 120-277V			MG Medium gray (opaque)
LPGC-A04-840-5SQ-SUR-UNV-WH	UNV 120-277V			WH Luminous white (translucent)
LPGC-A04-840-5SQ-SUR-UNV-UPL-WH	UNV 120-277V		UPL Uplight	WH Luminous white (translucent)
LPGC-A04-840-5SQ-SUR-UNV-BLFPMW-MG	UNV 120-277V	BLFPMW Bi-level set at 20% dimming, field programmable, microwave motion sensor		MG Medium gray (opaque)



Luminous white
(translucent)



Medium gray
(opaque)

LytePro Garage and Canopy

Example: LPGC-A03-840-5SQ-SUR-UNV-MG

Ordering Code	Voltage	Dimming Controls	Uplight	Finish
LPGC-A04-840-5SQ-SUR-UNV-BLFPMW-WH	UNV 120-277V	BLFPMW Bi-level set at 20% dimming, field programmable, microwave motion sensor		WH Luminous white (translucent)
LPGC-A04-840-5SQ-SUR-UNV-BLFPMW-UPL-WH	UNV 120-277V	BLFPMW Bi-level set at 20% dimming, field programmable, microwave motion sensor	UPL Uplight	WH Luminous white (translucent)
LPGC-A04-840-5SQ-SUR-UNV-WIAPLW-MG	UNV 120-277V	WIAPLW Wireless Interact, low mounting height (7-15')		MG Medium gray (opaque)
LPGC-A04-840-5SQ-SUR-UNV-WIAPLW-WH	UNV 120-277V	WIAPLW Wireless Interact, low mounting height (7-15')		WH Luminous white (translucent)
LPGC-A04-840-5SQ-SUR-UNV-WIAPLW-UPL-WH	UNV 120-277V	WIAPLW Wireless Interact, low mounting height (7-15')	UPL Uplight	WH Luminous white (translucent)
LPGC-A04-840-5SQ-SUR-HVU-MG	HVU 347-480V			MG Medium gray (opaque)
LPGC-A04-840-5SQ-SUR-HVU-WH	HVU 347-480V			WH Luminous white (translucent)
LPGC-A04-840-5SQ-SUR-HVU-UPL-WH	HVU 347-480V		UPL Uplight	WH Luminous white (translucent)

As the complexity of your projects skyrockets, faster delivery becomes increasingly important.

The Ledalite 10-day QuickShip program includes all of our high performance and award-winning LED linear, recessed, surface, and slot luminaire families.



Click or scan here to view the Ledalite Design Ready brochure





Lightolier LyteProfile (page 2)



Lightolier ModuLyte (page 4)



Stonco LytePro Wall (page 32)



Day-Brite FBY High Bay (page 18)



Stonco Garage & Canopy (page 37)

GENLYTE SOLUTIONS

a Signify business

© 2024 Signify Holding. All rights reserved. The information provided herein is subject to change, without notice. Signify does not give any representation or warranty as to the accuracy or completeness of the information included herein and shall not be liable for any action in reliance thereon. The information presented in this document is not intended as any commercial offer and does not form part of any quotation or contract, unless otherwise agreed by Signify.

Signify North America Corporation
400 Crossing Blvd, Suite 600
Bridgewater, NJ 08807
Telephone 800-555-0500

Signify Canada Ltd.
281 Hillmount Road,
Markham, ON, Canada L6C 2S3
Telephone 800-668-9008

All trademarks are owned by Signify Holding or their respective owners.